

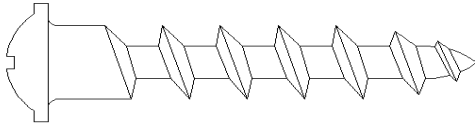
ASSEMBLY INSTRUCTION

HARPER CONSOLE TABLE, BLACK, METAL

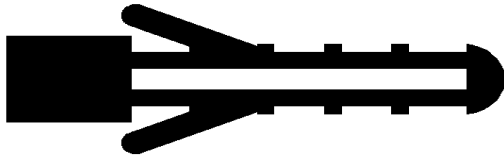
59098601



COMPONENT LIST



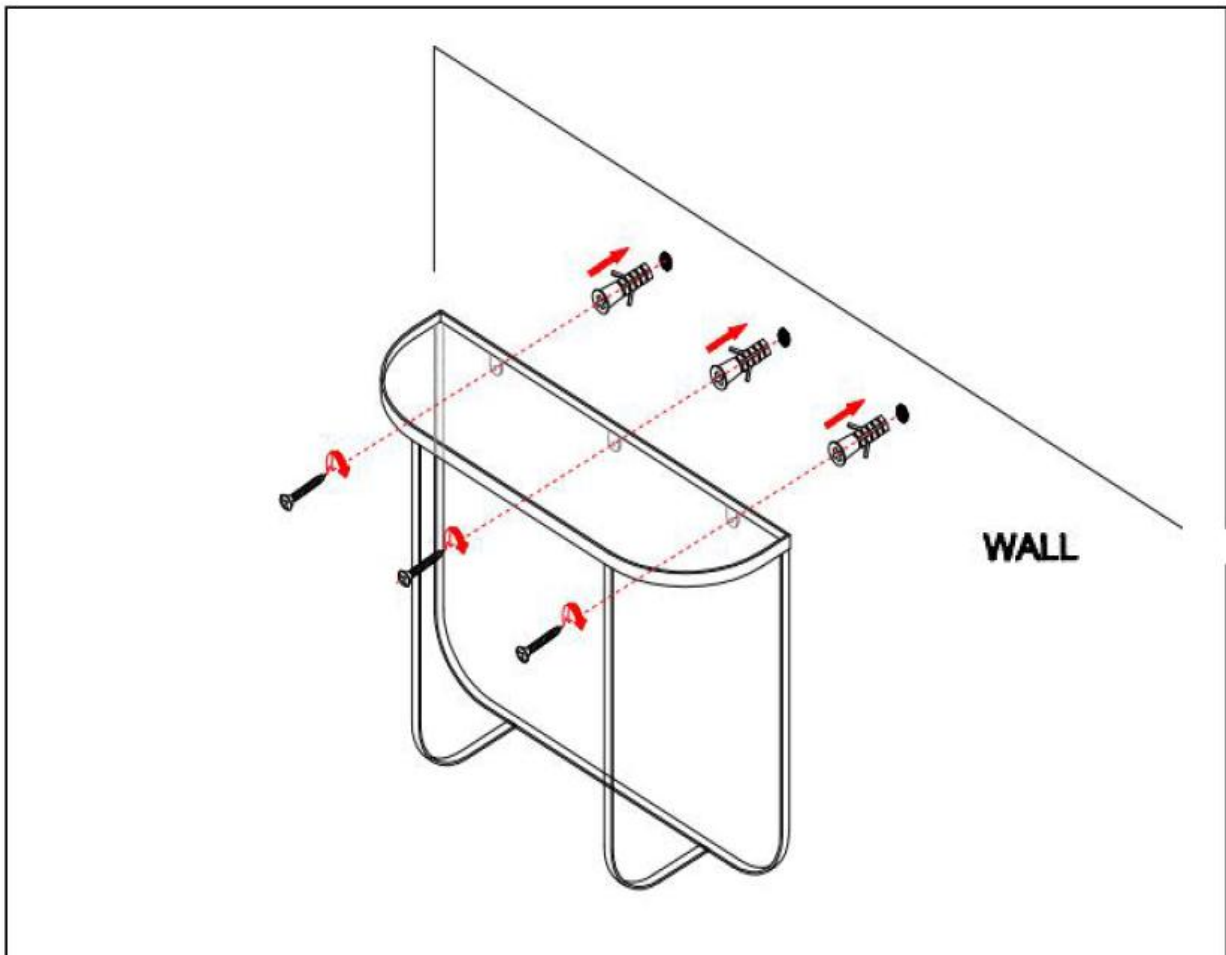
X3pcs


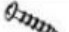


X3pcs

INSTRUCTION

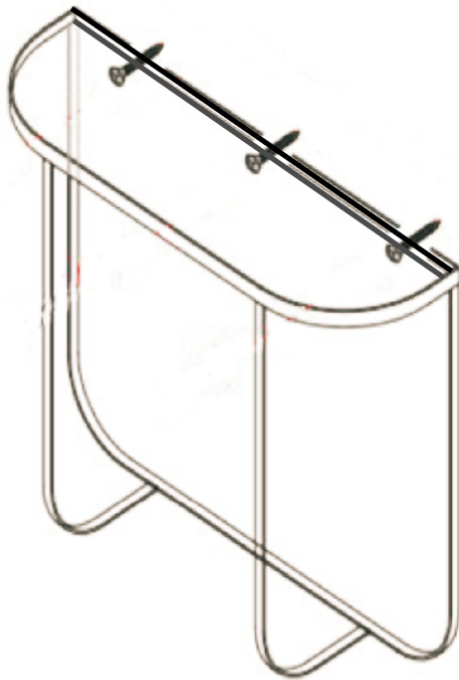
Step 1



HARDWARE BAG				
1		PLASTIC WALL ANCHOR	6*32MM	3PCS
2		SCREW	8*32MM	3PCS

INSTRUCTION

Step 2



15kg/33.07lbs