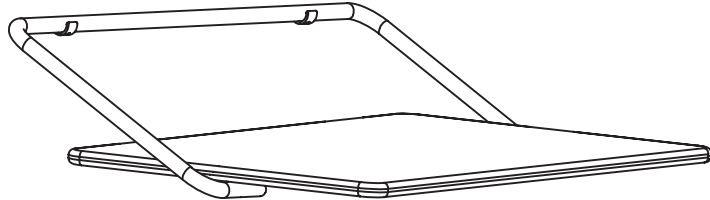
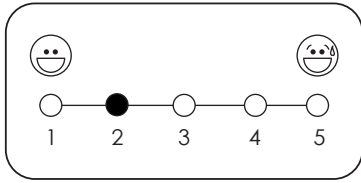


# PENNY

Desk



## TOOLS



## HARDWARE



A x 4



B x 4

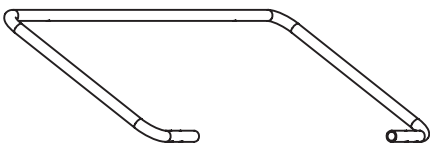


C x 2

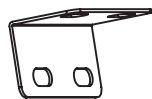


D x 4

## PARTS



① x 1



② x 2

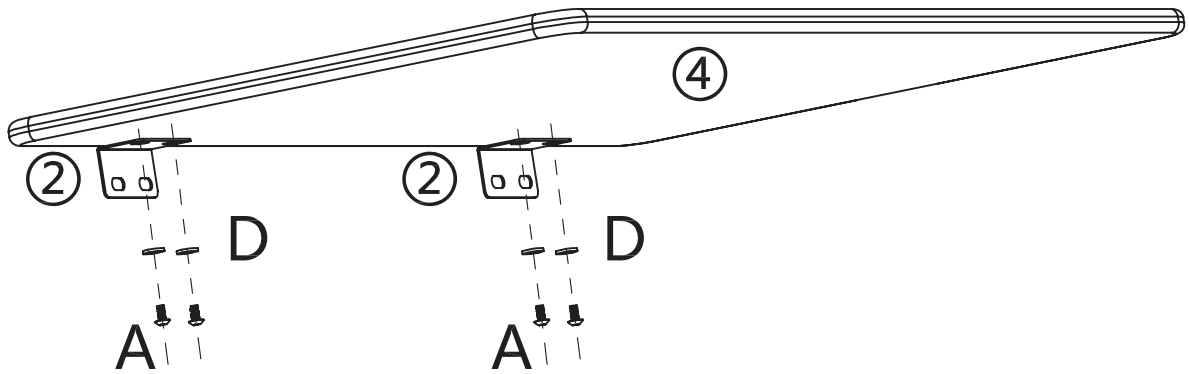


③ x 2

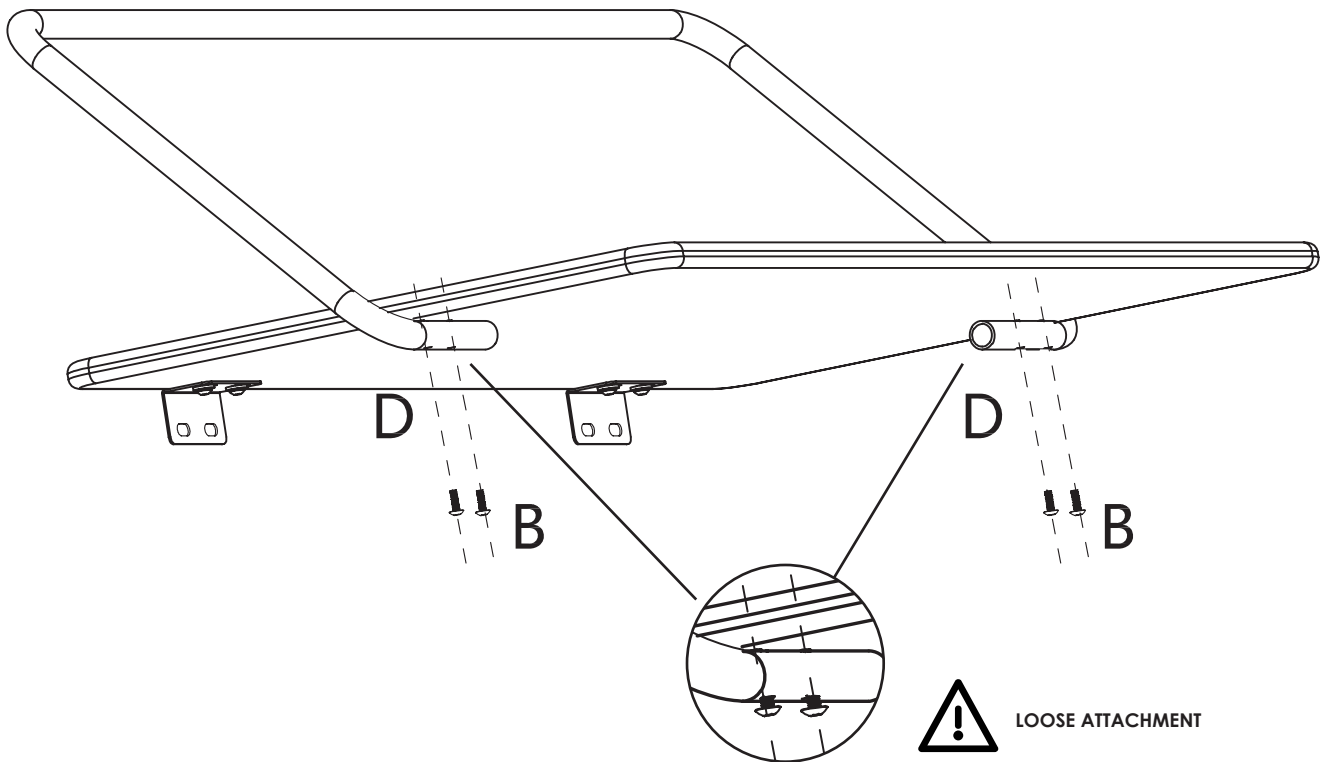


④ x 1

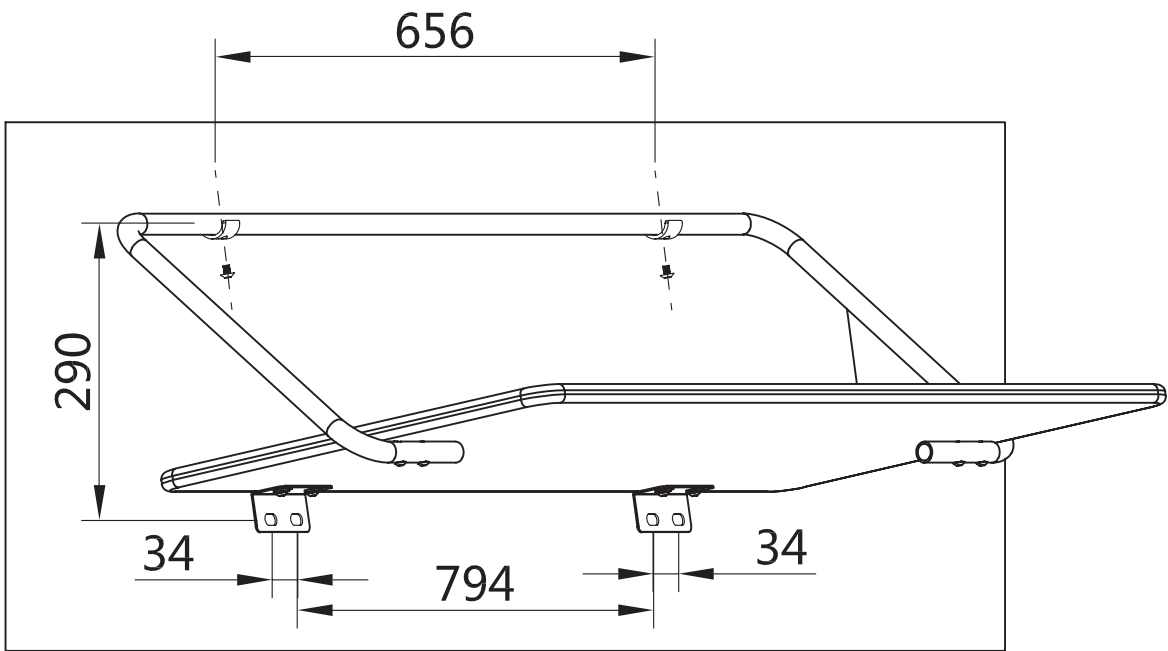
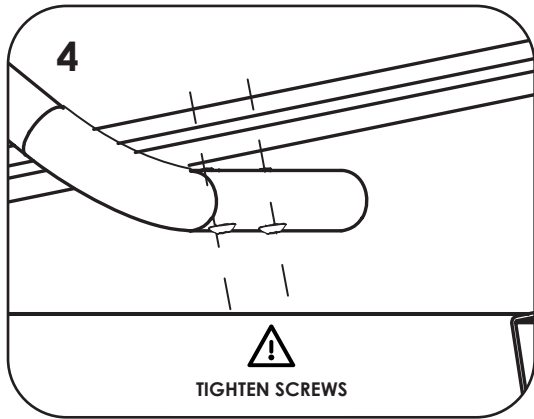
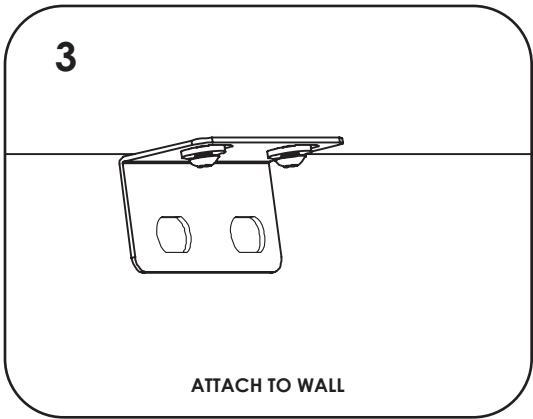
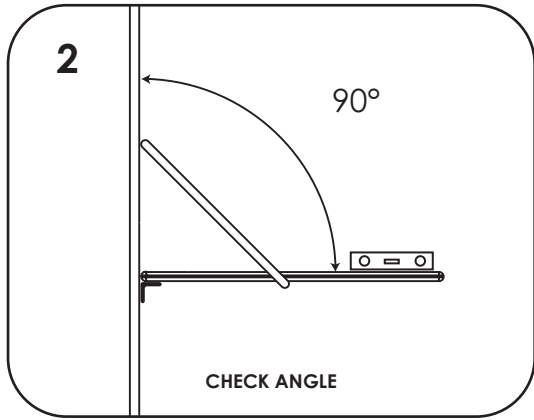
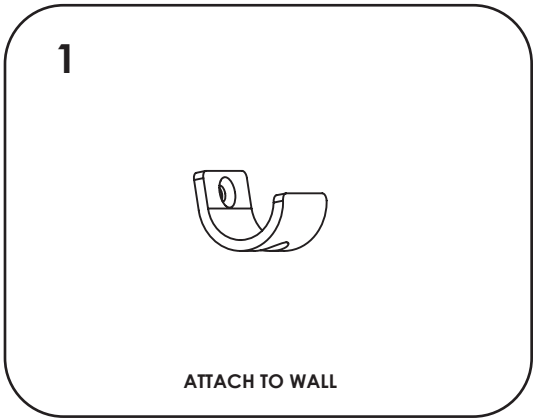
1



2



3



# CARE INSTRUCTIONS

In order to maintain the product from dirt or marks, use a cloth with mild soap and water. Dry with a soft cloth. This is the only method of guaranteeing that the original appearance is maintained. Other commercially available cleaning agents should not be used.

