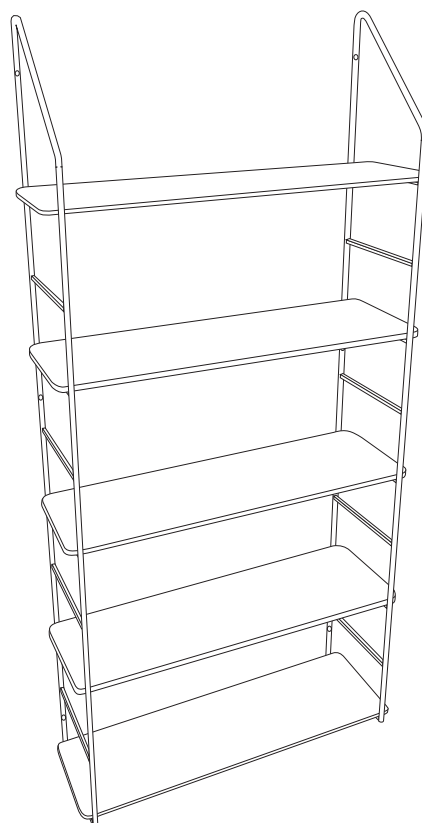
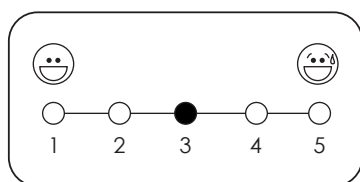
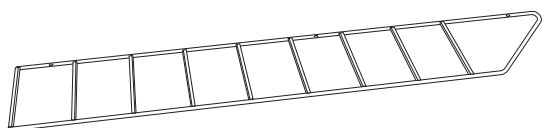


PENNY

Wall shelf



PARTS

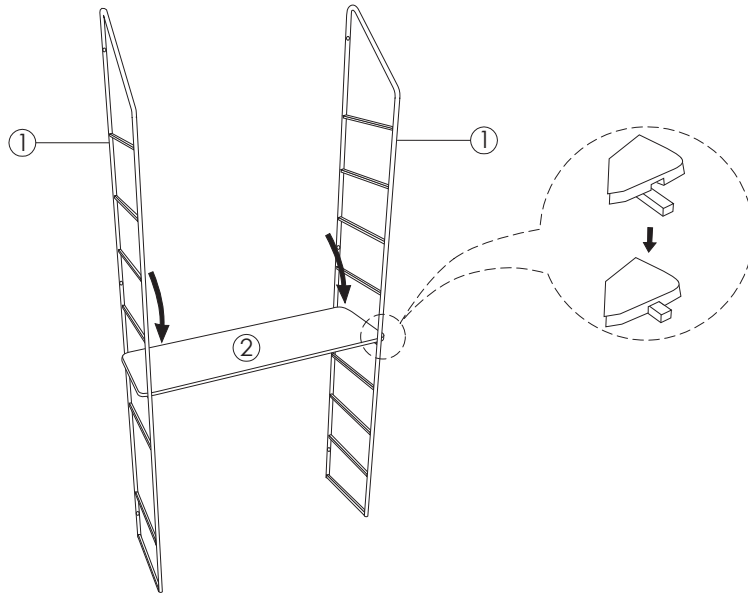


① X 2

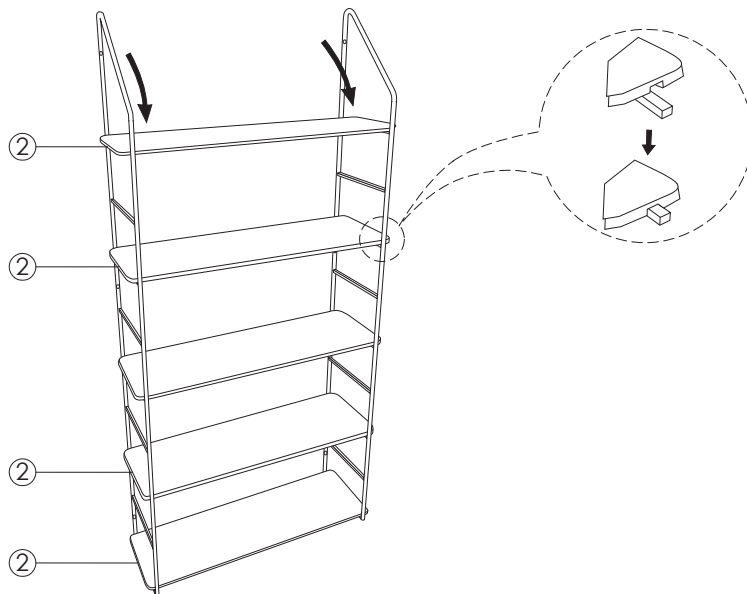


② X 5

1



2



IN ORDER TO MAINTAIN THE PRODUCT FROM DIRT OR MARKS, USE A CLOTH WITH MILD SOAP AND WATER. DRY WITH A SOFT CLOTH. THIS IS THE ONLY METHOD OF GUARANTEEING THAT THE ORIGINAL APPEARANCE IS MAINTAINED. OTHER COMMERCIALY AVAILABLE CLEANING AGENTS SHOULD NOT BE USED.