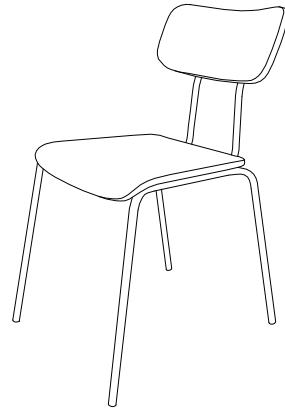
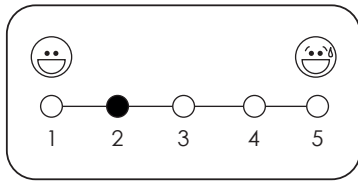
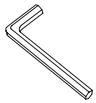


JET

Chair



TOOLS



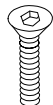
HARDWARE

1/4"x16mm



A X 4

1/4"x25mm



B X 2



C X 4



D X 4

PARTS



① X 1

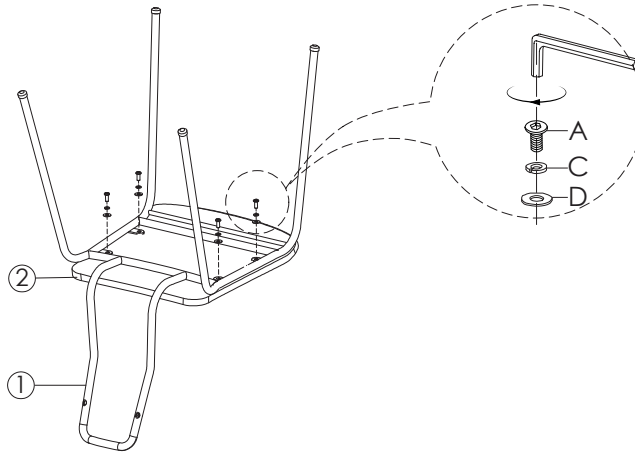


② X 1

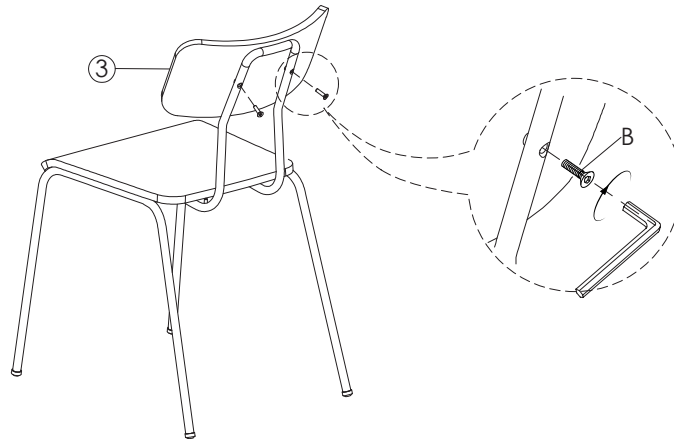


③ X 1

1



2



IN ORDER TO MAINTAIN THE PRODUCT FROM DIRT OR MARKS, USE A CLOTH WITH MILD SOAP AND WATER. DRY WITH A SOFT CLOTH. THIS IS THE ONLY METHOD OF GUARANTEEING THAT THE ORIGINAL APPEARANCE IS MAINTAINED. OTHER COMMERCIALY AVAILABLE CLEANING AGENTS SHOULD NOT BE USED.