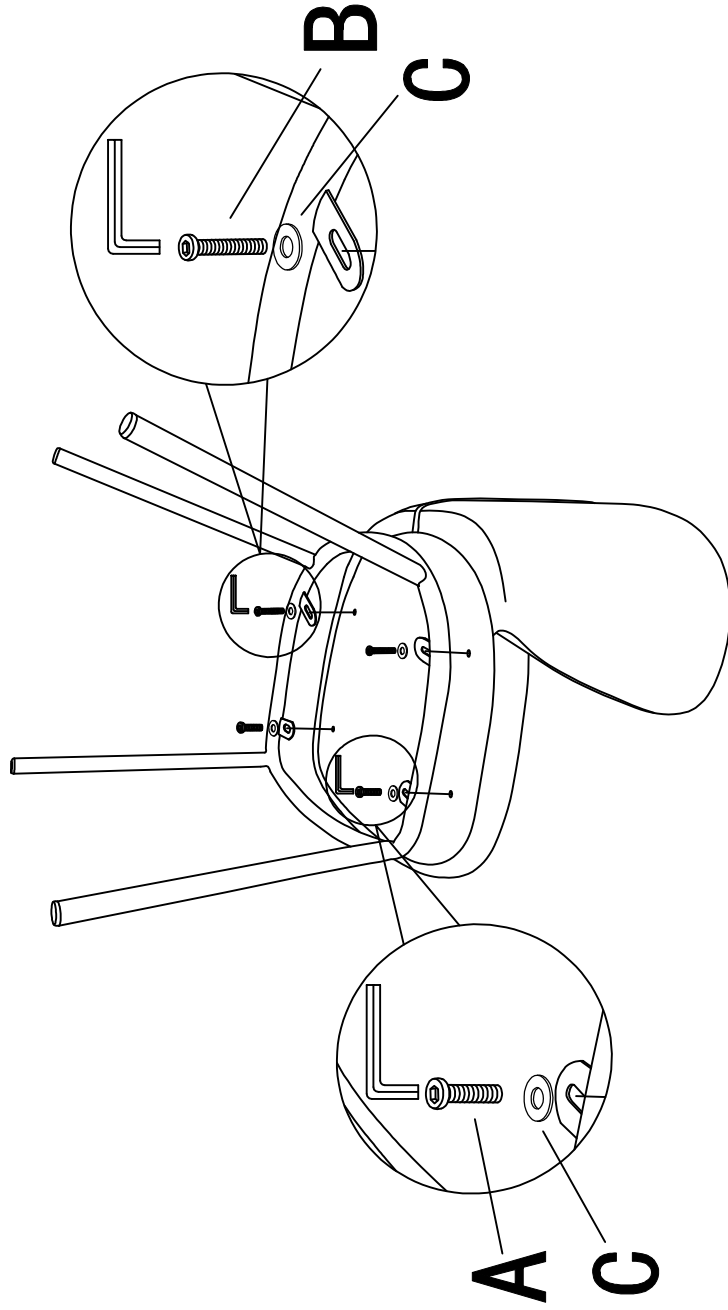


Step:1

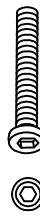


x2



A

x2



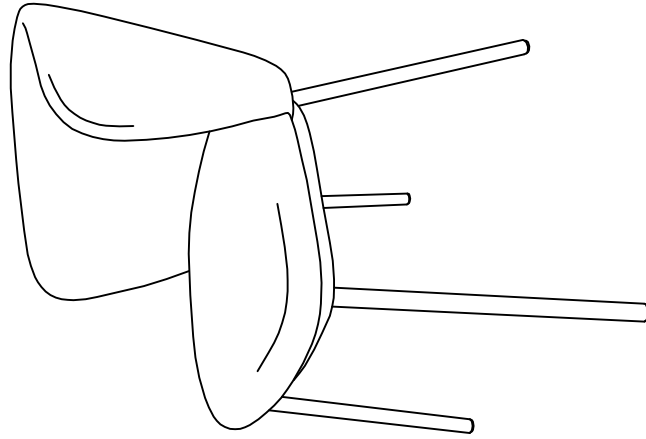
B

x4

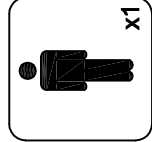


C

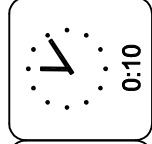
Finish



0139131



x1



0:10

