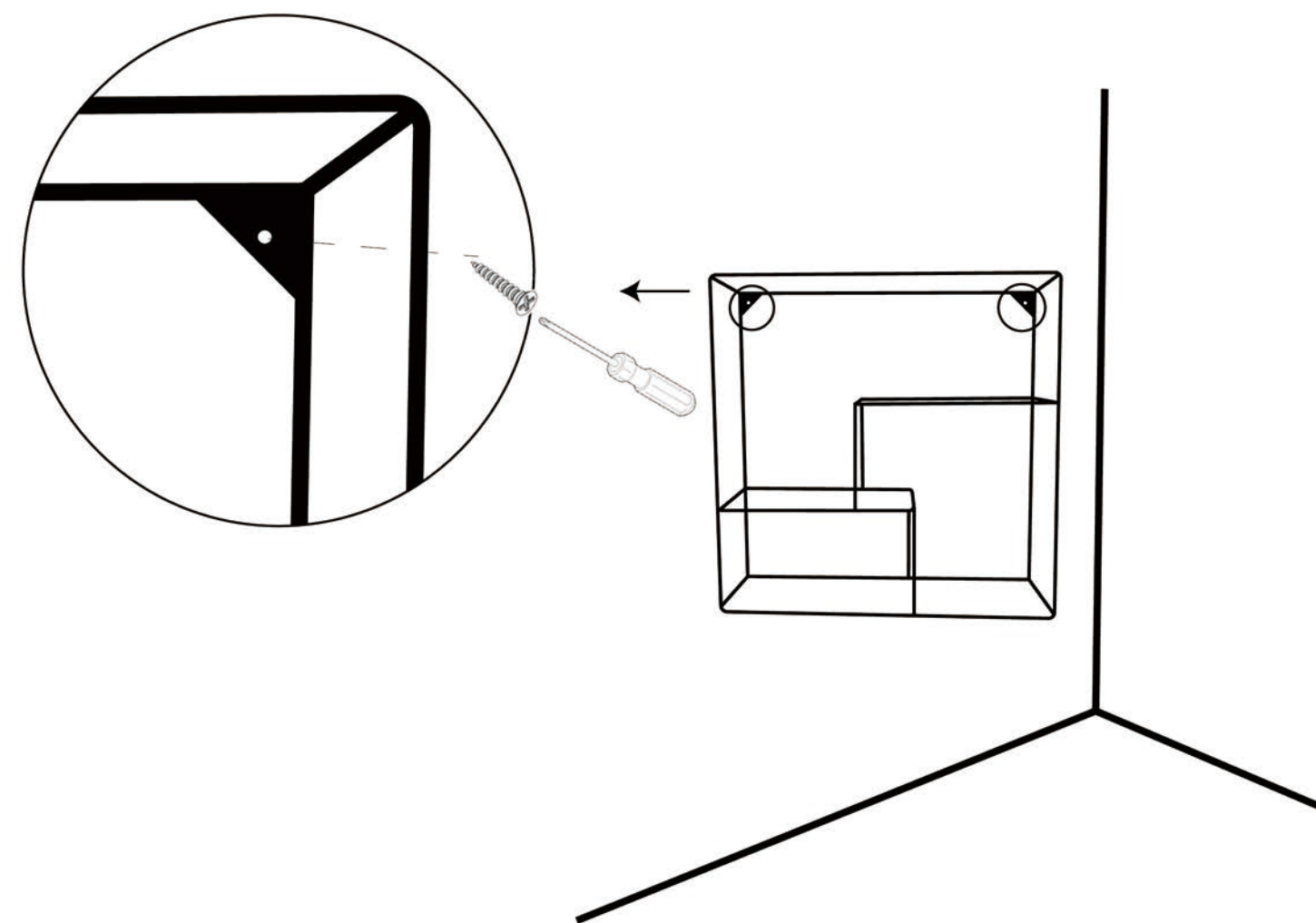
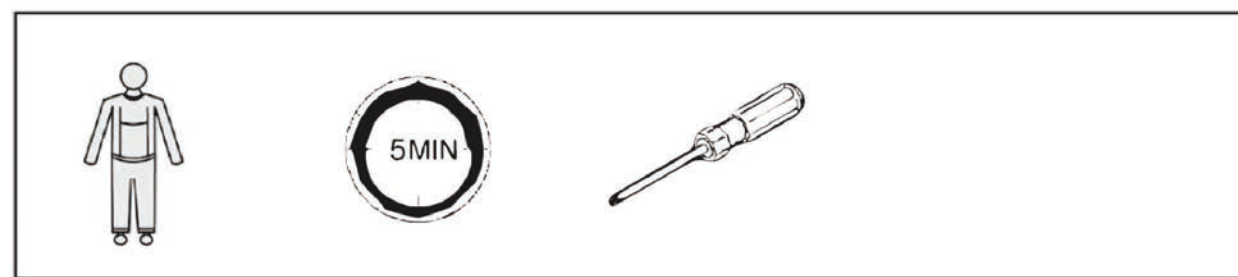
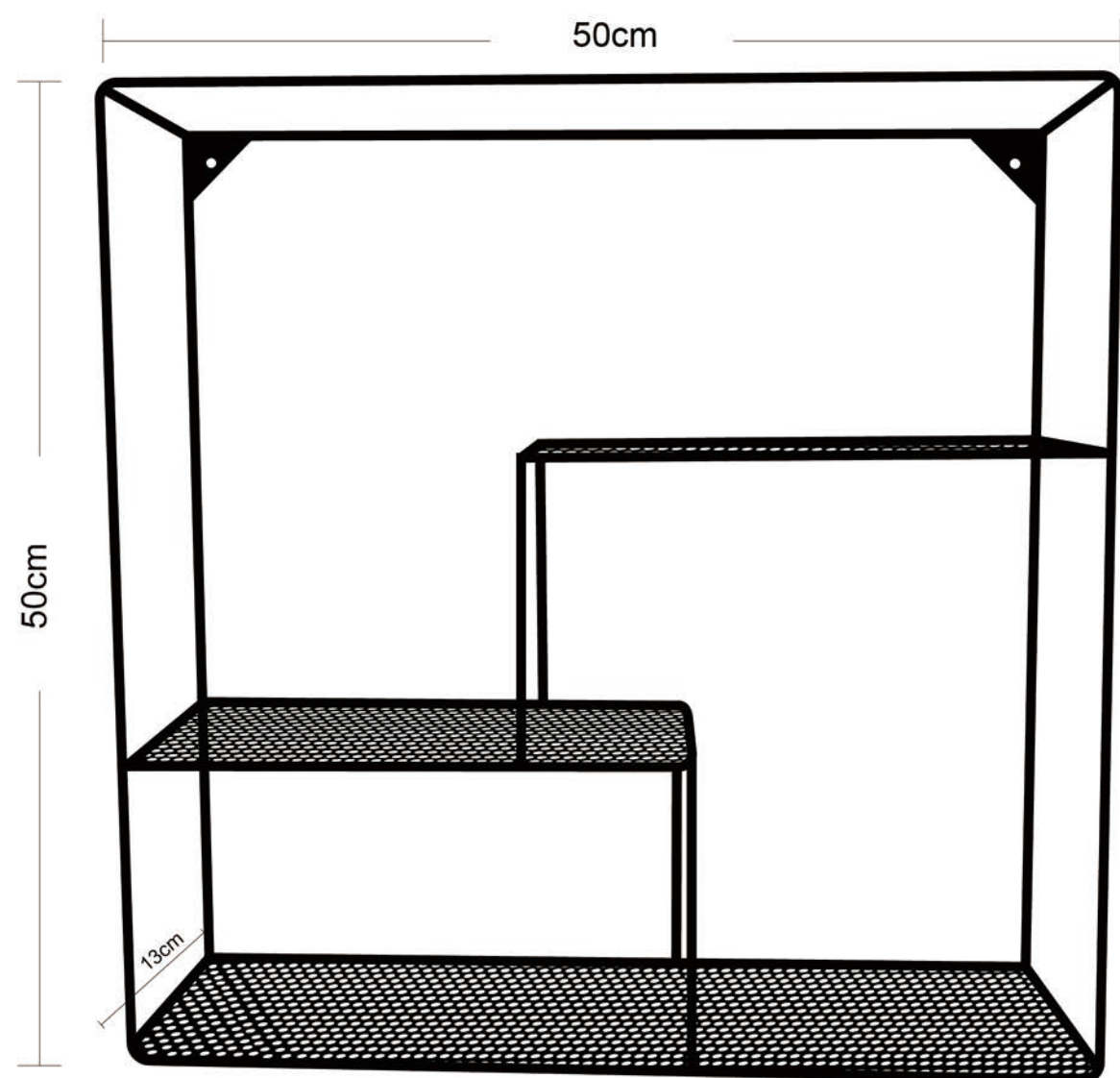


# Batley



210\*285Hmm