
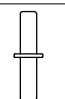





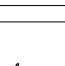
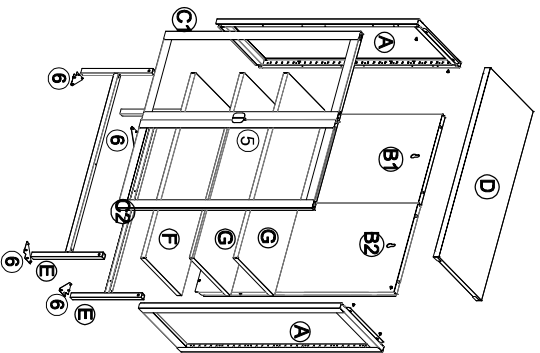


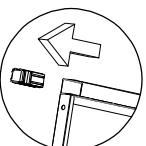
3001045
 Brisbane Steel Cabinet
 w. Glass Door Black



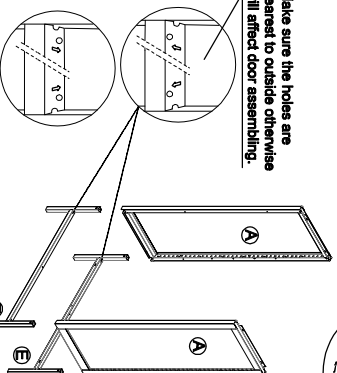
	① x38		② 6x70mm x2		③ 6x70mm spacer 2 x2		④ 6x6mm x8
	⑤ x2		⑥ x4		⑦ x2		⑧ x2



(1) - Attach (A) to (E) as below shown.

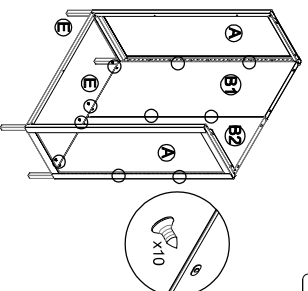
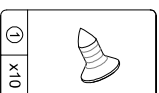


Make sure the holes are nearest to outside otherwise will affect door assembling.

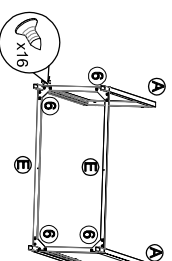


The plastic foot cover face down

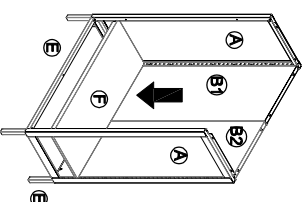
(3) - Attach (B) to (A) & (E) as below shown.



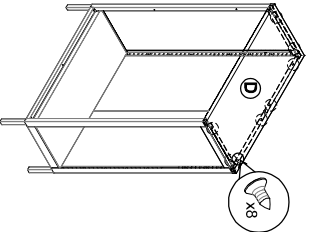
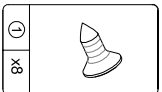
(2) - Attach (G) to (E) as below shown.



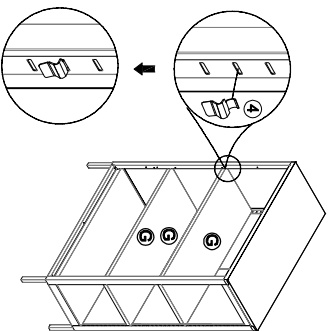
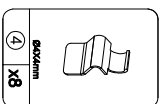
(4) - Attach (F) to (A) & (B) & (E) as below shown.



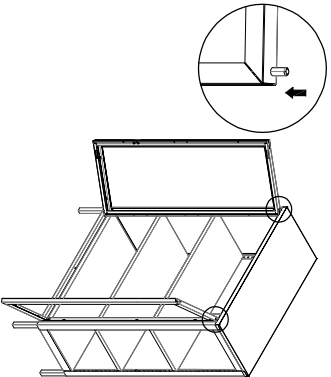
(5) - Attach (D) to (A) as below shown.



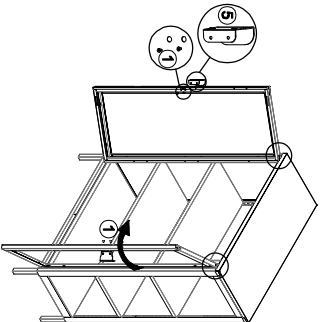
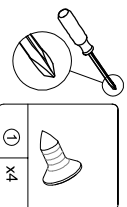
(6) - Attach (G) to pre-assembled unit as below shown.



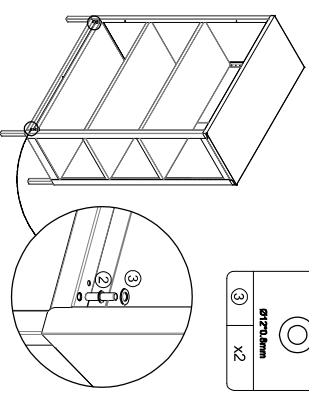
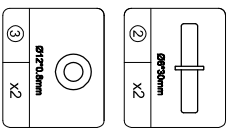
(8) - Attach (C) to pre-assembled unit as below shown.



(9) - Attach (5) to (C) as below shown.

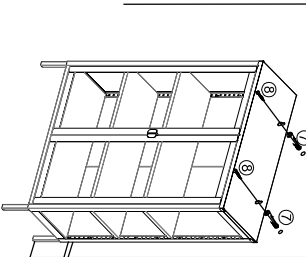
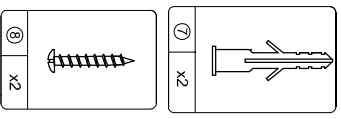


(7) - Attach (2) & (3) to pre-assembled unit as below shown.



(10)

wall anchors



Gaps may appear between the top of the doors and the frame if the item is not on level ground; use the plastic foot cover to level.