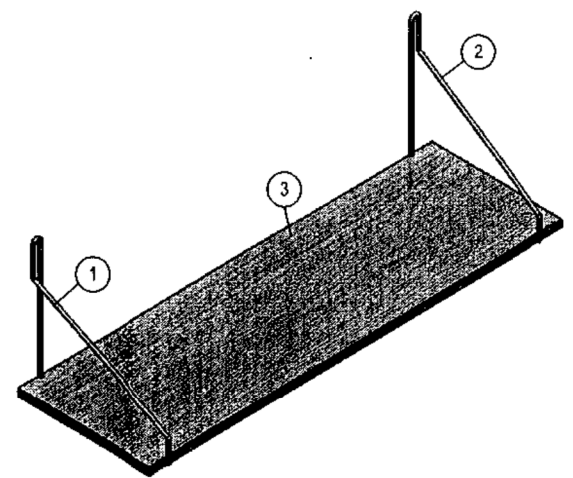
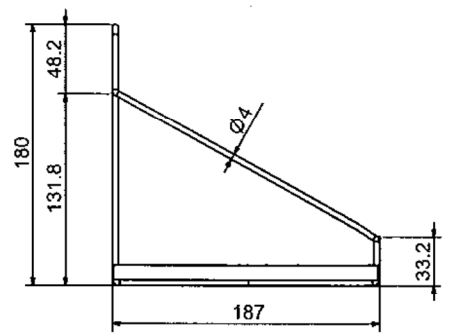


6	7	8	9	10
Rev No.	Change note			Date
			Sign.	Approved



ITEM NO.	PART NUMBER	DESCRIPTION	Default/QTY
1	100001765818-1	Khung treo trái	1
2	100001765818-2	Khung treo phải	1
3	HENRY-585X185X10	585x185x10	1

Pos.	Qty.	Title/Name, designation, material, etc	Article No / Reference														
		<table border="1"> <tr> <td>Date: 14-Mar-2016</td> <td>Weight: 0.7332 Kg</td> <td>Surface Treatment: 0.2462 m2</td> <td>Proj: </td> <td>Scale: 1:10</td> <td>Size: A4</td> </tr> <tr> <td>Drawn: Ng. Trung Hq</td> <td>14-Jan-17</td> <td colspan="4" rowspan="2">Jay/Pewee shelf 59x18x18</td> </tr> <tr> <td>CHK'd by: B.N.Thương</td> <td></td> </tr> </table>	Date: 14-Mar-2016	Weight: 0.7332 Kg	Surface Treatment: 0.2462 m2	Proj:	Scale: 1:10	Size: A4	Drawn: Ng. Trung Hq	14-Jan-17	Jay/Pewee shelf 59x18x18				CHK'd by: B.N.Thương		
Date: 14-Mar-2016	Weight: 0.7332 Kg	Surface Treatment: 0.2462 m2	Proj:	Scale: 1:10	Size: A4												
Drawn: Ng. Trung Hq	14-Jan-17	Jay/Pewee shelf 59x18x18															
CHK'd by: B.N.Thương																	
		<table border="1"> <tr> <td>App'd by: Tr. A. Tung</td> <td>Proj No: 100001765818</td> <td>Draw No: FD-00064</td> <td>Revision: 00</td> <td>Sheet 1 of 3</td> </tr> <tr> <td></td> <td>100001765818</td> <td></td> <td></td> <td></td> </tr> </table>	App'd by: Tr. A. Tung	Proj No: 100001765818	Draw No: FD-00064	Revision: 00	Sheet 1 of 3		100001765818								
App'd by: Tr. A. Tung	Proj No: 100001765818	Draw No: FD-00064	Revision: 00	Sheet 1 of 3													
	100001765818																