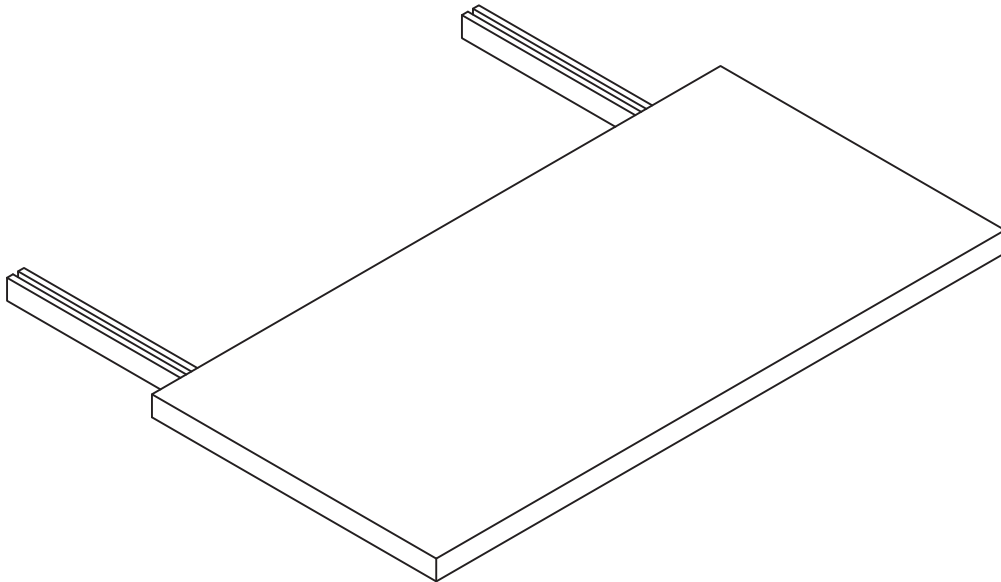


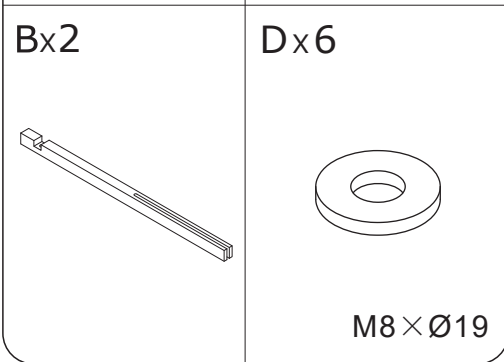
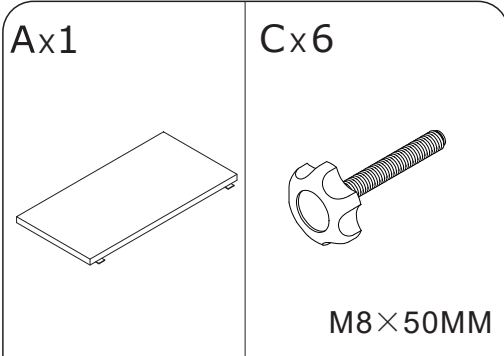
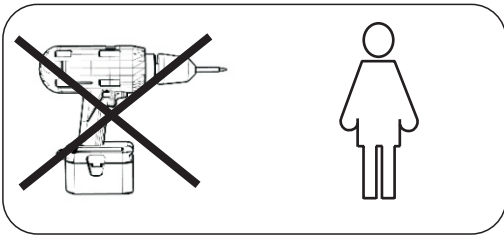
ASSEMBLY INSTRUCTION

# WINNIPEG EXTENSION

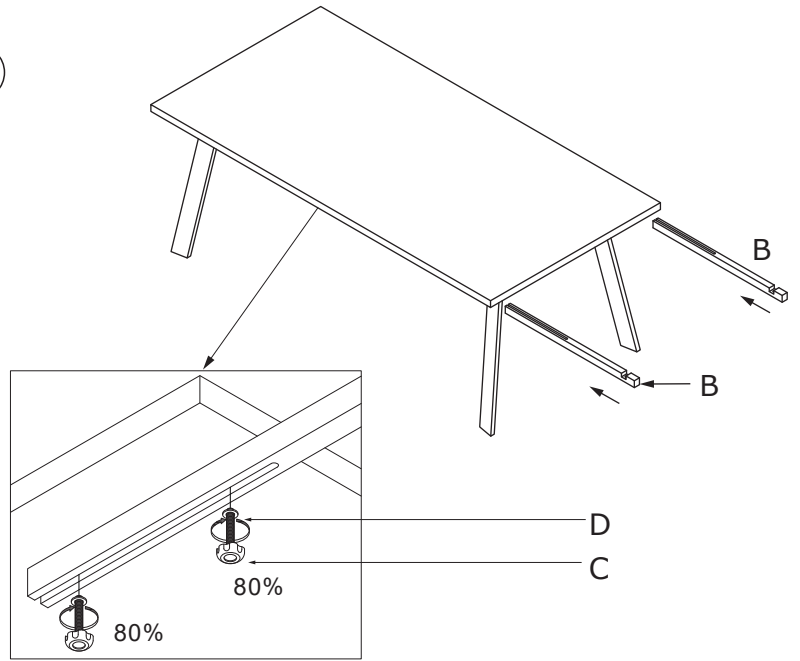


**ROWICO**

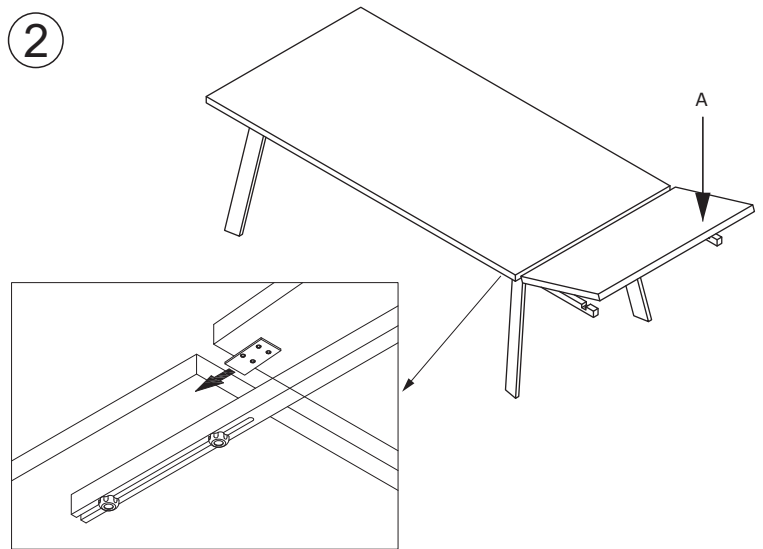
HOME



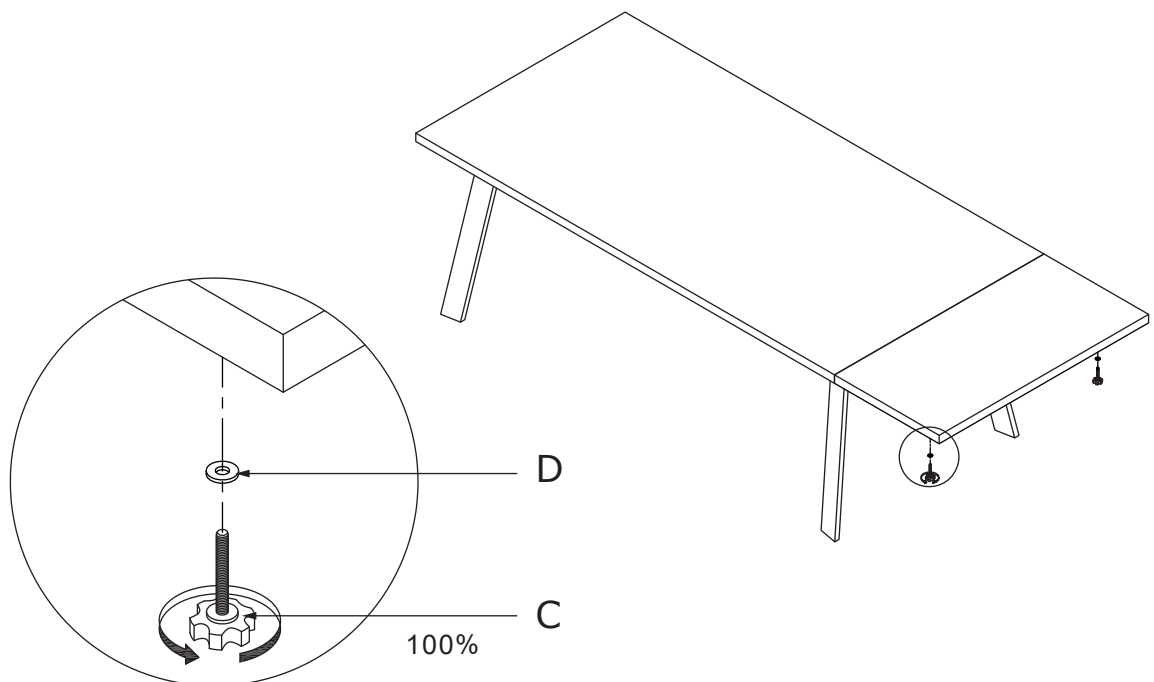
①



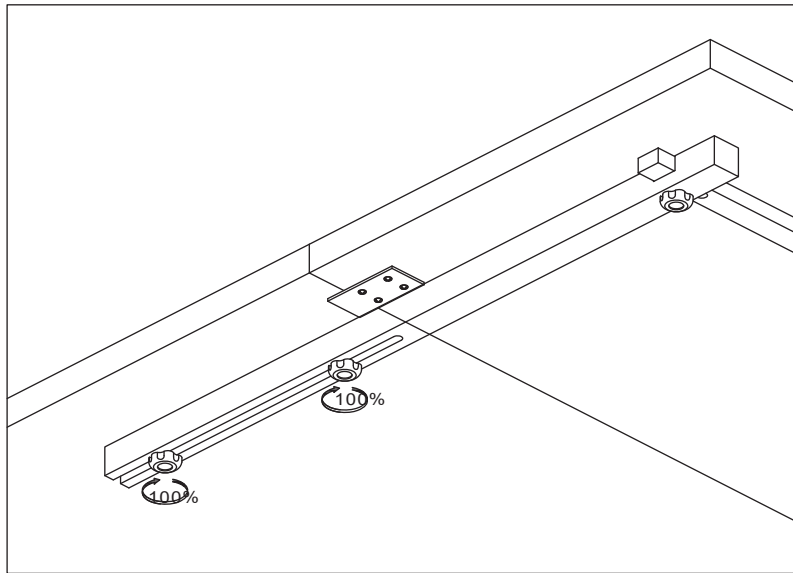
②



③



4



### Storage

