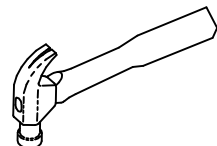
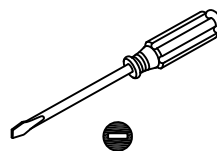
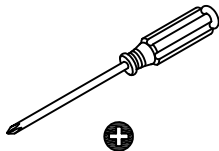
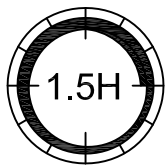
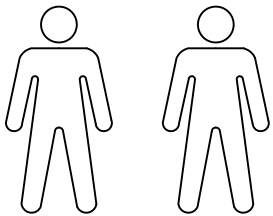
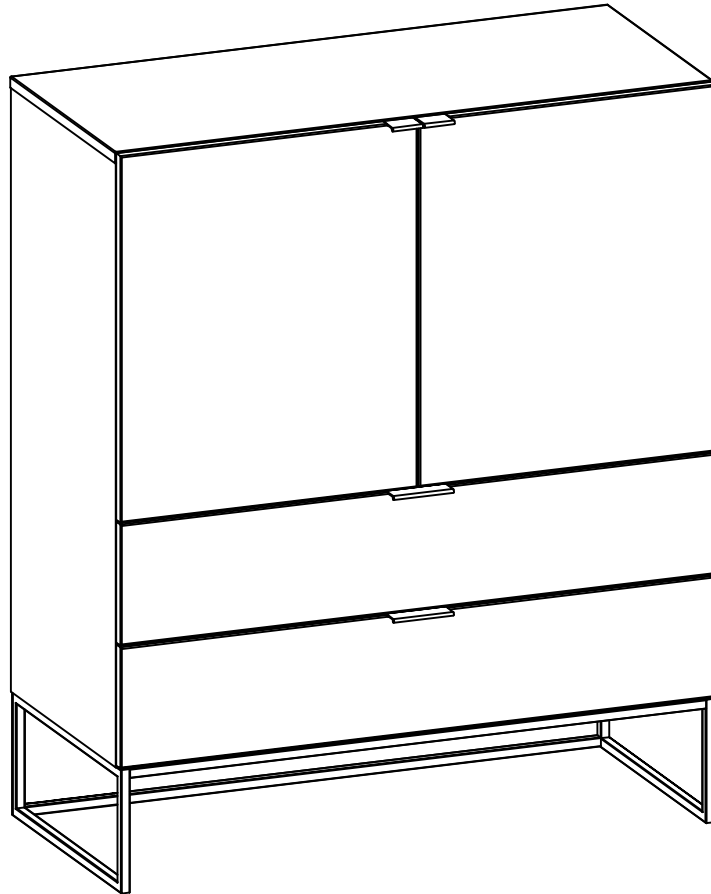
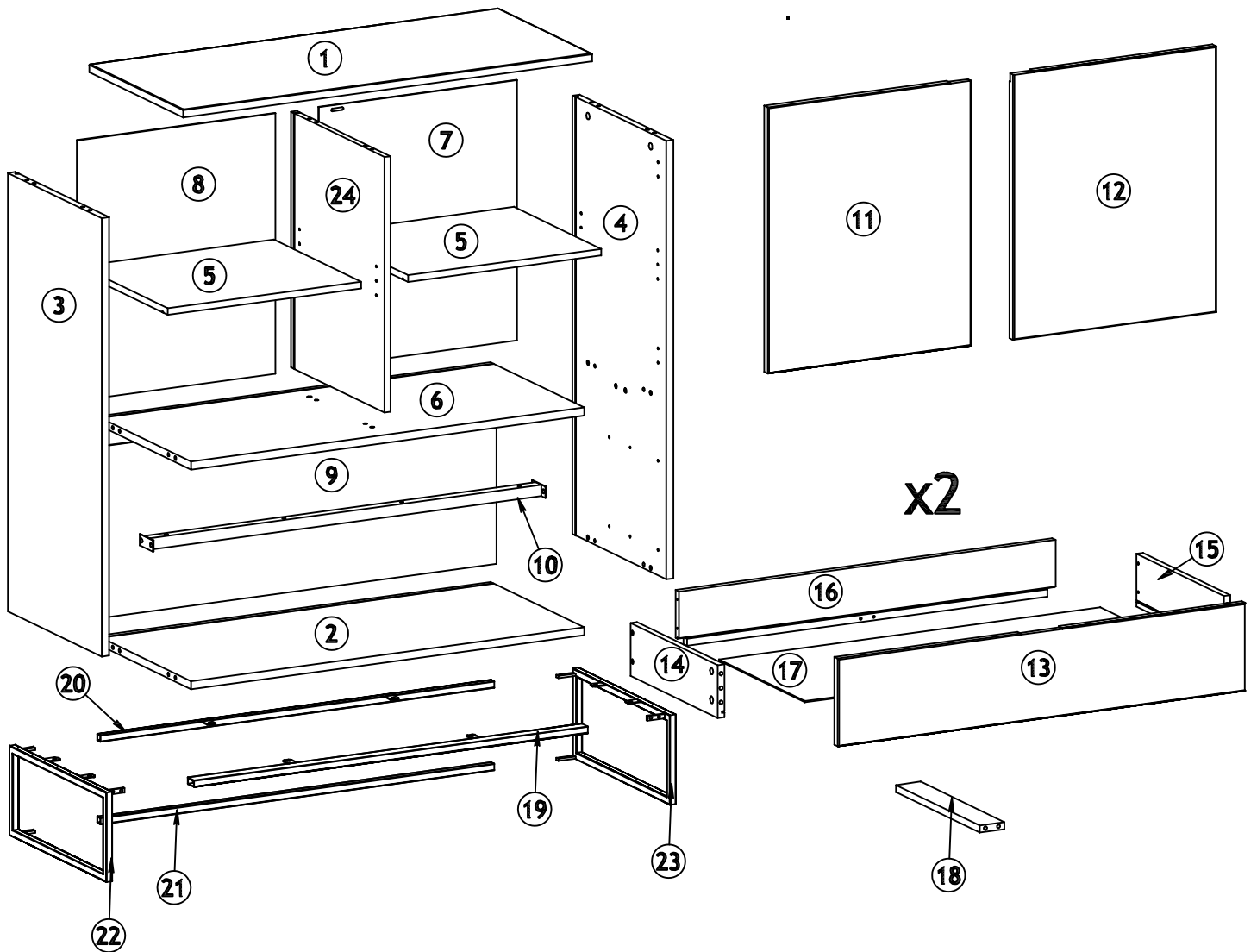


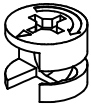

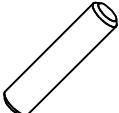

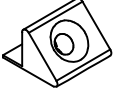
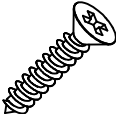



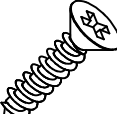
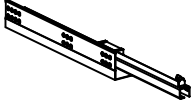
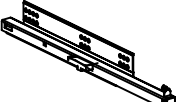


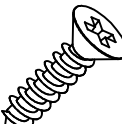
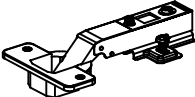
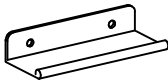
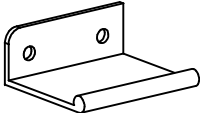
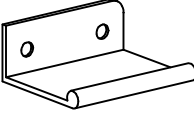






# KOBE - Highboard



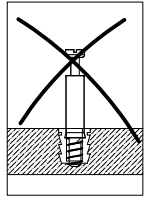
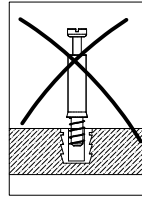
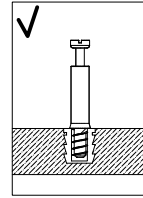
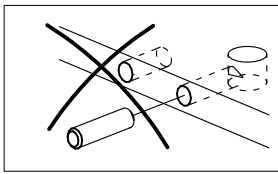
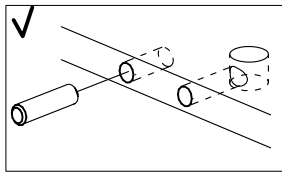
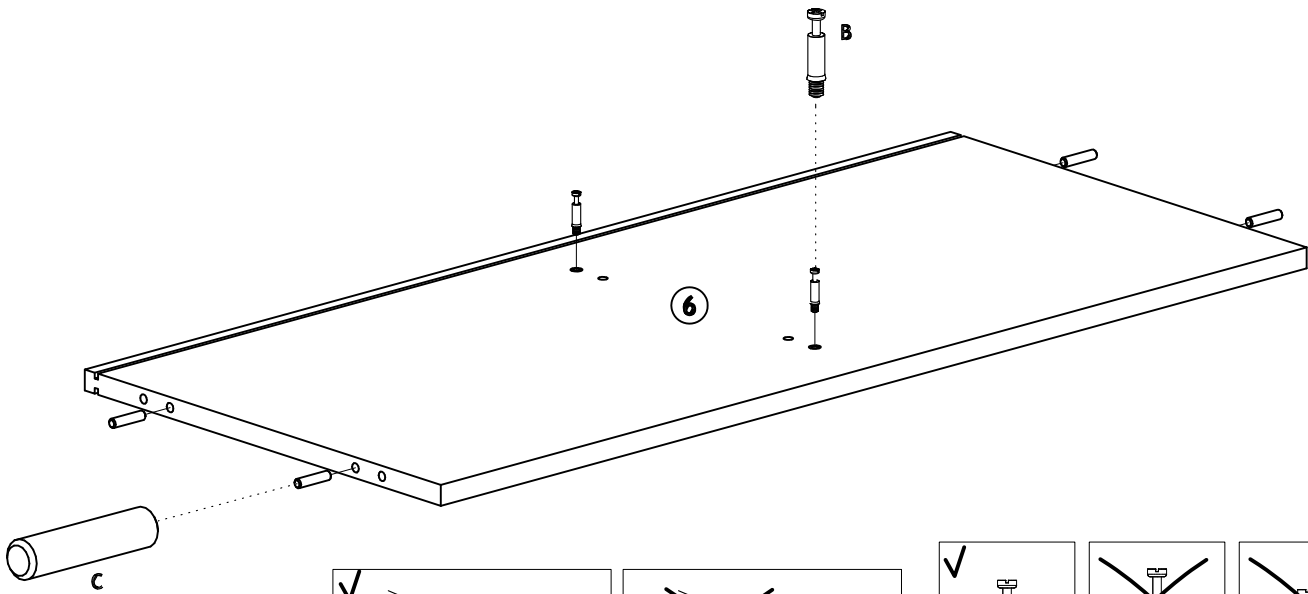
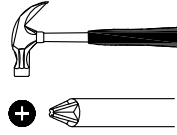
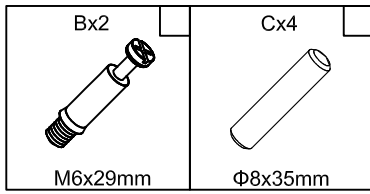
			✓
①	1	1000x430x18	
②	1	962x430x18	
③	1	979x430x18	
④	1	979x430x18	
⑤	2	472.5x400x15	
⑥	1	962x430x18	
⑦	1	581.5x484.5x3	
⑧	1	581.5x484.5x3	
⑨	1	975x383.5x3	
⑩	1	961.5x60x25	
⑪	1	594x496.5x18	
⑫	1	594x496.5x18	

			✓
⑬	2	996x196x18	
⑭	2	400x118x15	
⑮	2	400x118x15	
⑯	2	921x124x15	
⑰	2	932x395x3	
⑱	2	384x60x15	
⑲	1	963x60x15	
⑳	1	963x45x15	
㉑	1	963x15x15	
㉒	1	445x200x57	
㉓	1	445x200x57	
㉔	1	570.5x430x15	

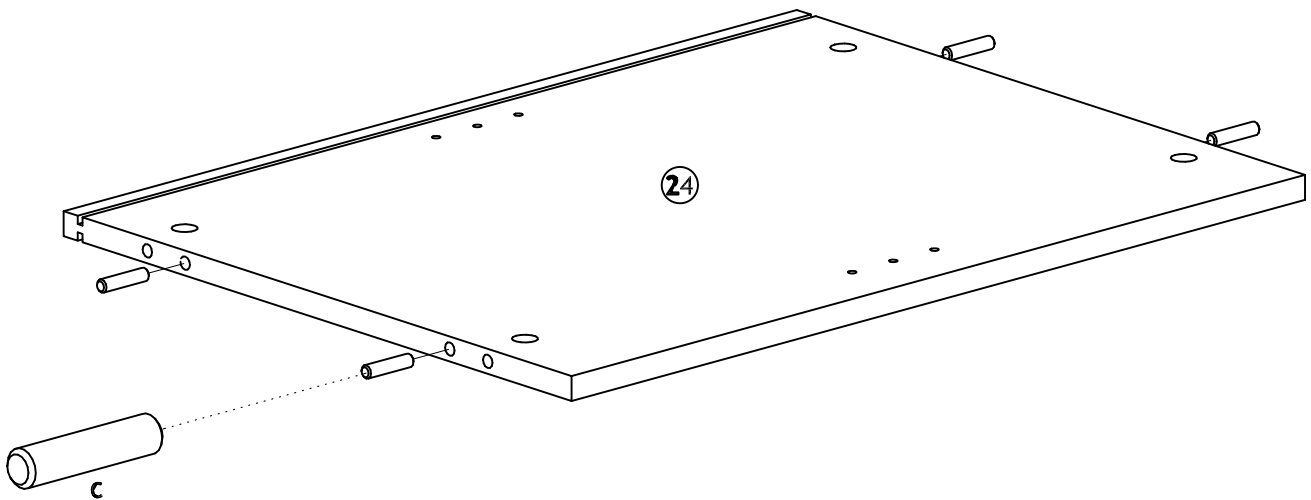
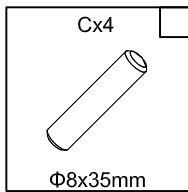


<p>A x 28</p>  <p>Φ15x12 mm</p>	<p>B x 28</p>  <p>M6x29 mm</p>	<p>C x 20</p>  <p>Φ8x35 mm</p>	<p>D x 8</p>  <p>Φ5/Φ5</p>	<p>E x 14</p>  <p>15x15 mm</p>
<p>F x 14</p>  <p>Φ3x18 mm</p>	<p>G x 12</p>  <p>Φ3.5x35 mm</p>	<p>H x 12</p>  <p>Φ5.8/11mm</p>	<p>I x 6</p>  <p>Φ8 x 2 mm</p>	<p>J x 10</p>  <p>Φ3.5x15 mm</p>
<p>K1 x 2</p>  <p>400 mm</p>	<p>K2 x 2</p>  <p>400 mm</p>	<p>L x 3</p>  <p>M4/Φ12 mm</p>	<p>M x 1</p>  <p>150x26 mm</p>	<p>N x 8</p>  <p>Φ3.5x15 mm</p>
<p>P x 4</p>  <p>Φ 35/FK0</p>	<p>Q x 2</p>  <p>100x41x20 mm</p>	<p>R x 1</p>  <p>50x41x20 mm</p>	<p>S x 1</p>  <p>50x41x20 mm</p>	<p>T x 4</p>  <p>Φ12x5mm</p>
<p>U x 16</p>  <p>Φ20mm</p>	<p>V x 12</p>  <p>M6x15 mm</p>	<p>W x 4</p>  <p>M6x35 mm</p>	<p>X x 12</p>  <p>M6x12 mm</p>	<p>Y x 1</p>  <p>4 mm</p>

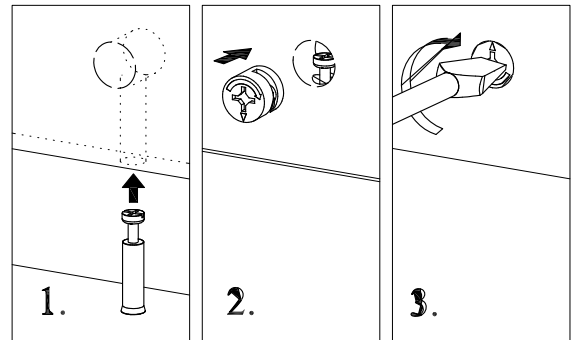
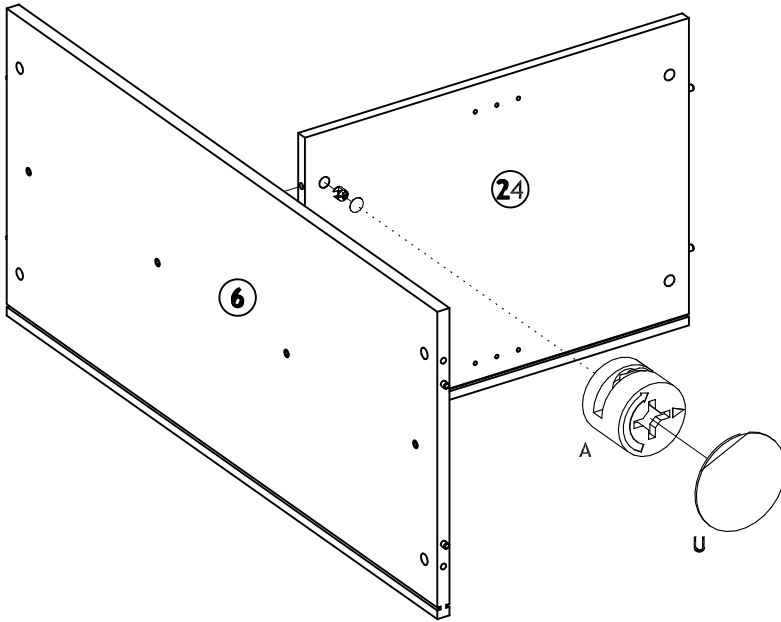
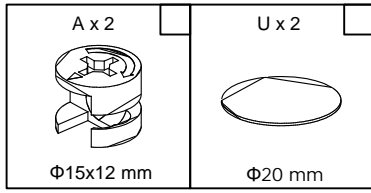
# 1



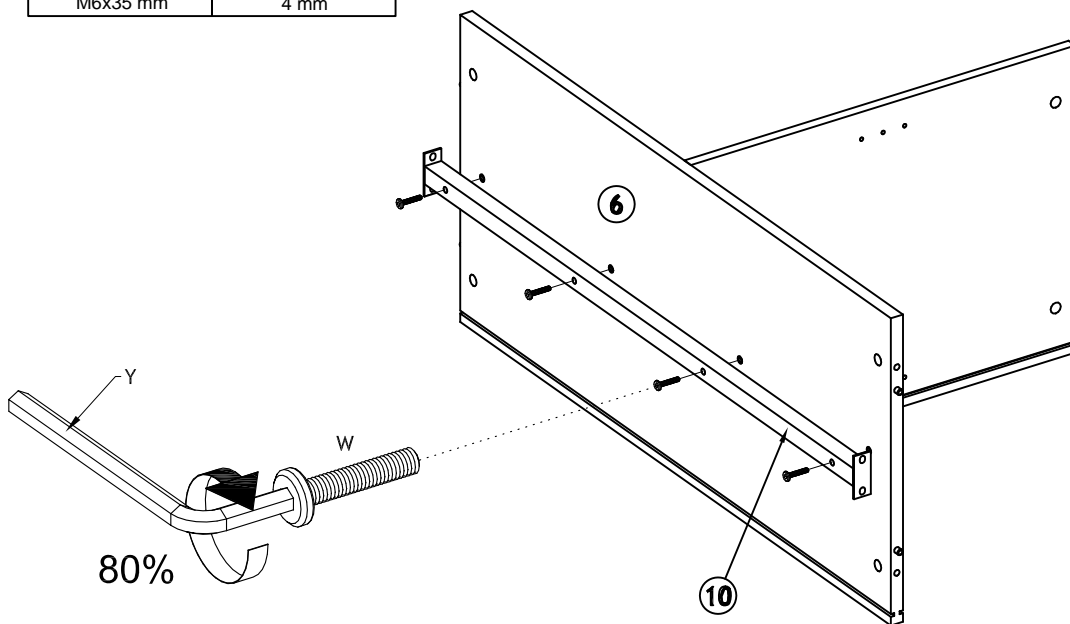
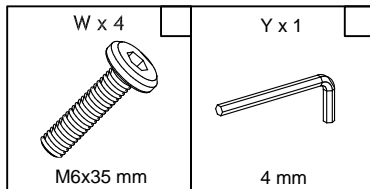
# 2



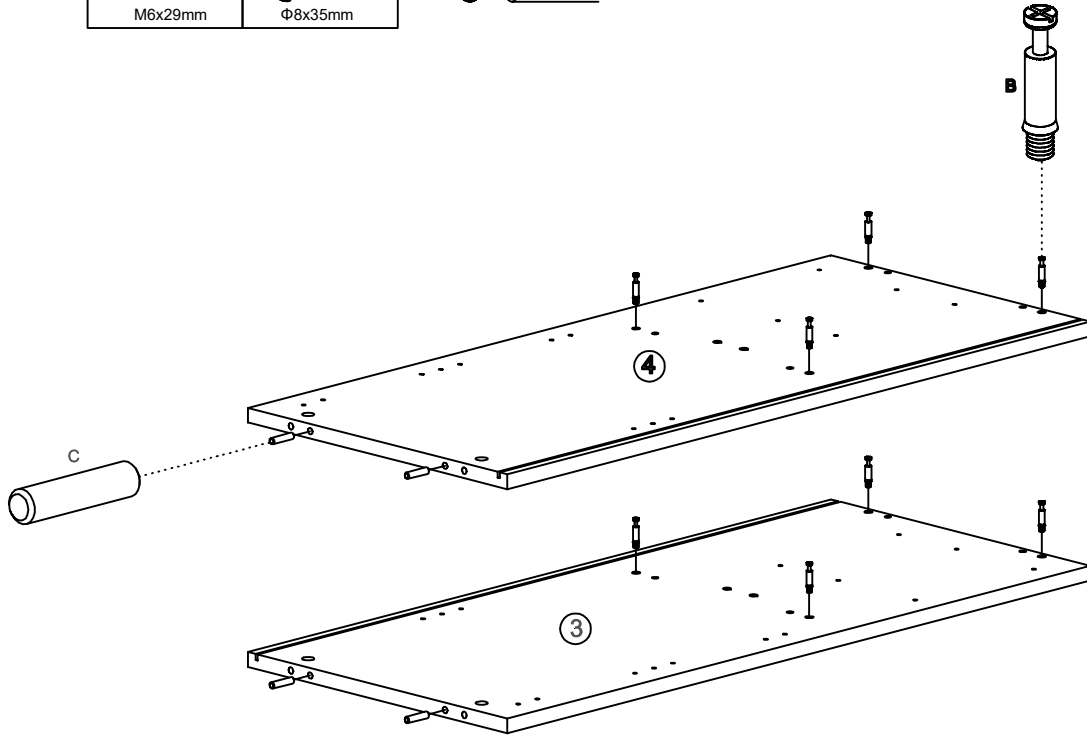
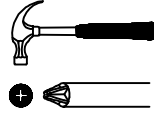
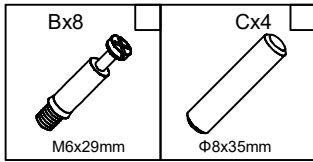
# 3



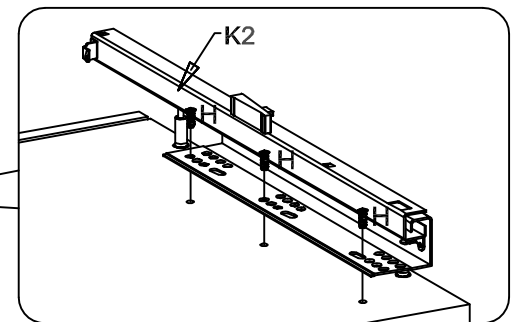
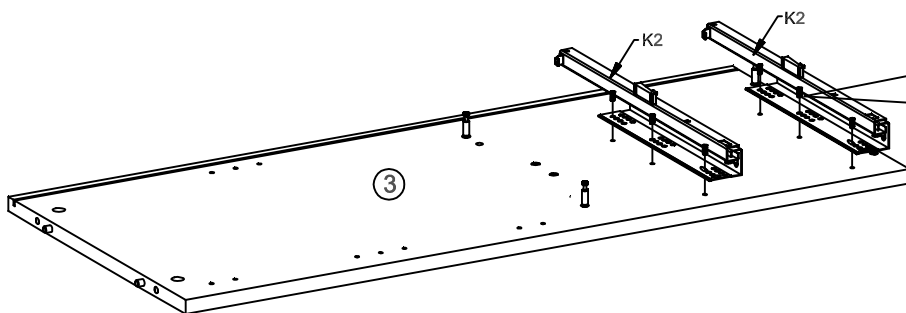
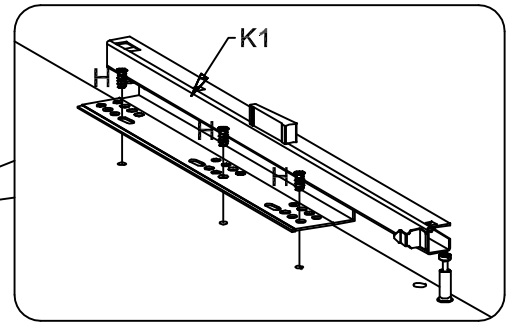
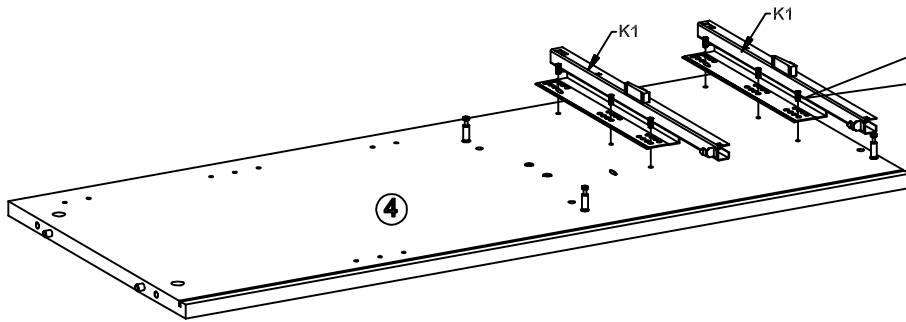
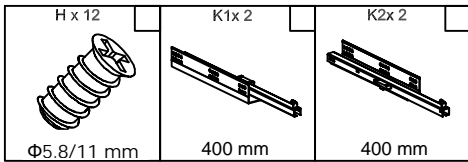
# 4



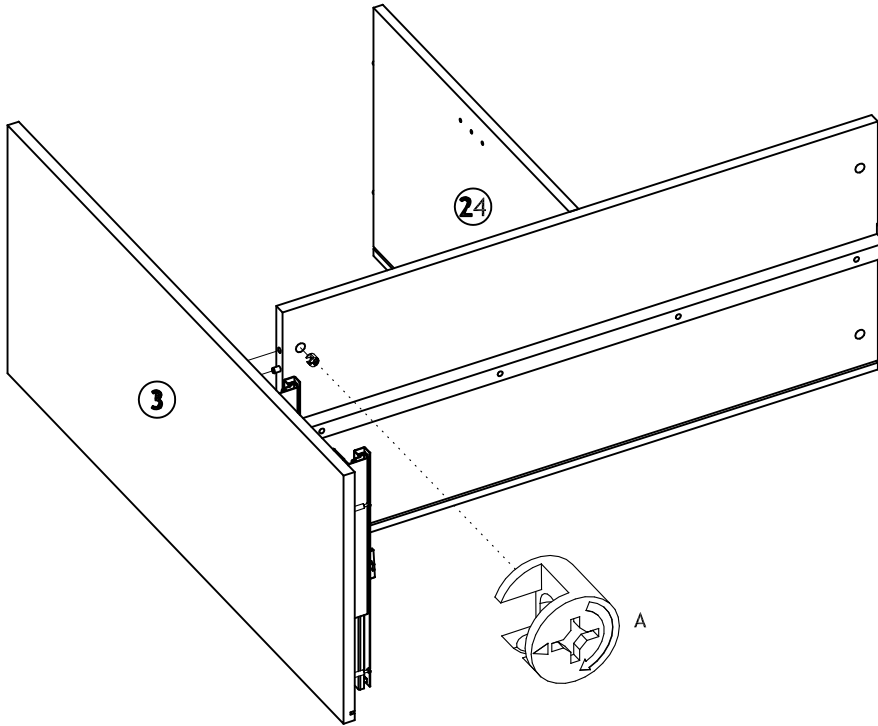
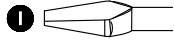
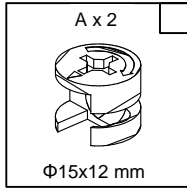
# 5



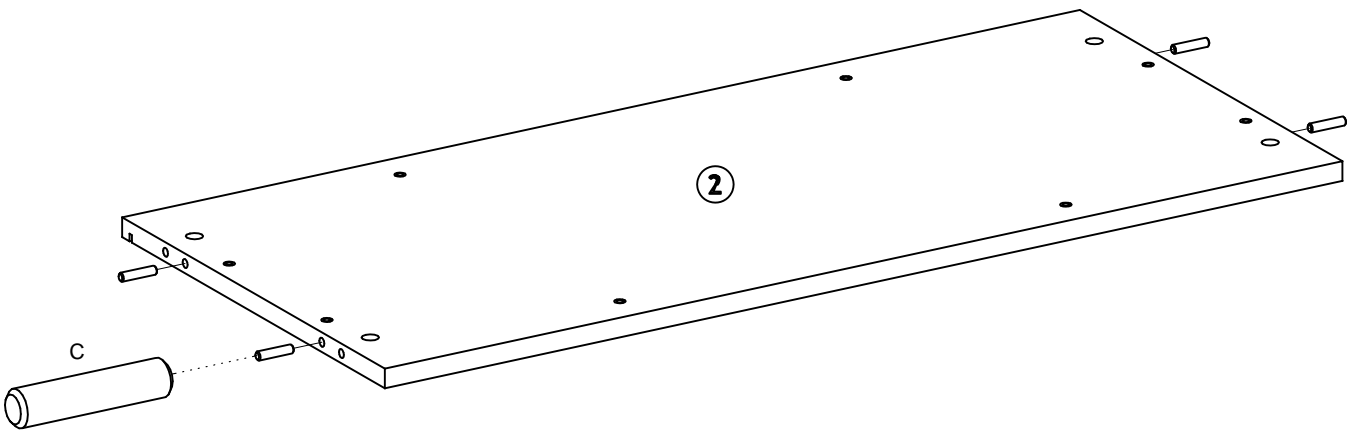
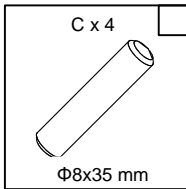
# 6



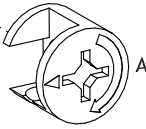
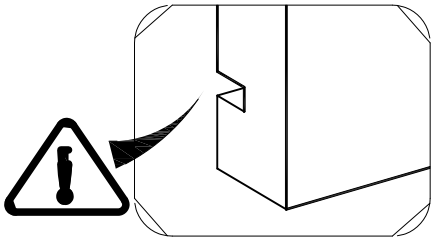
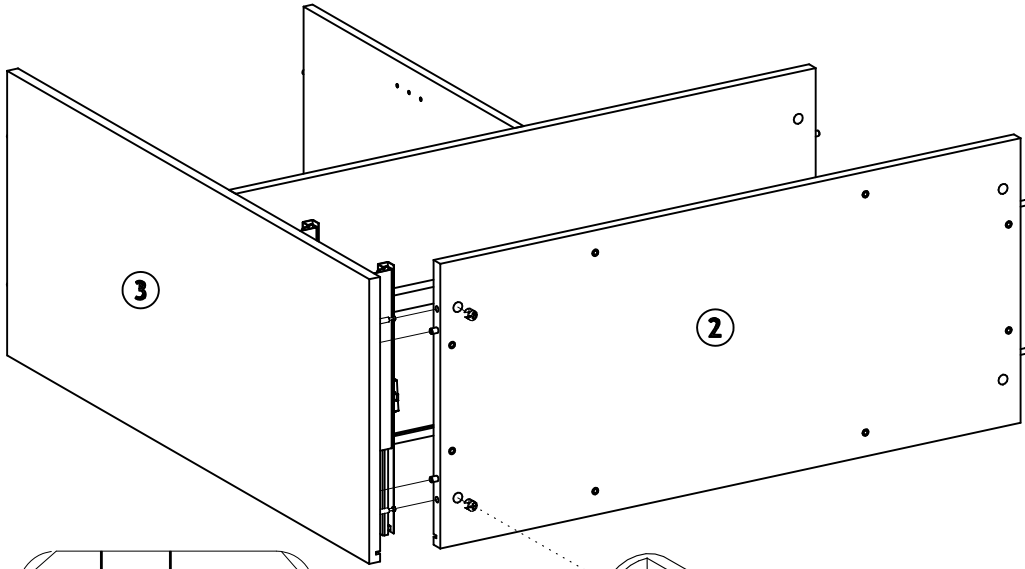
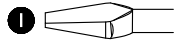
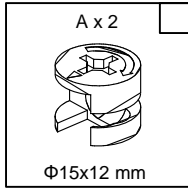
7



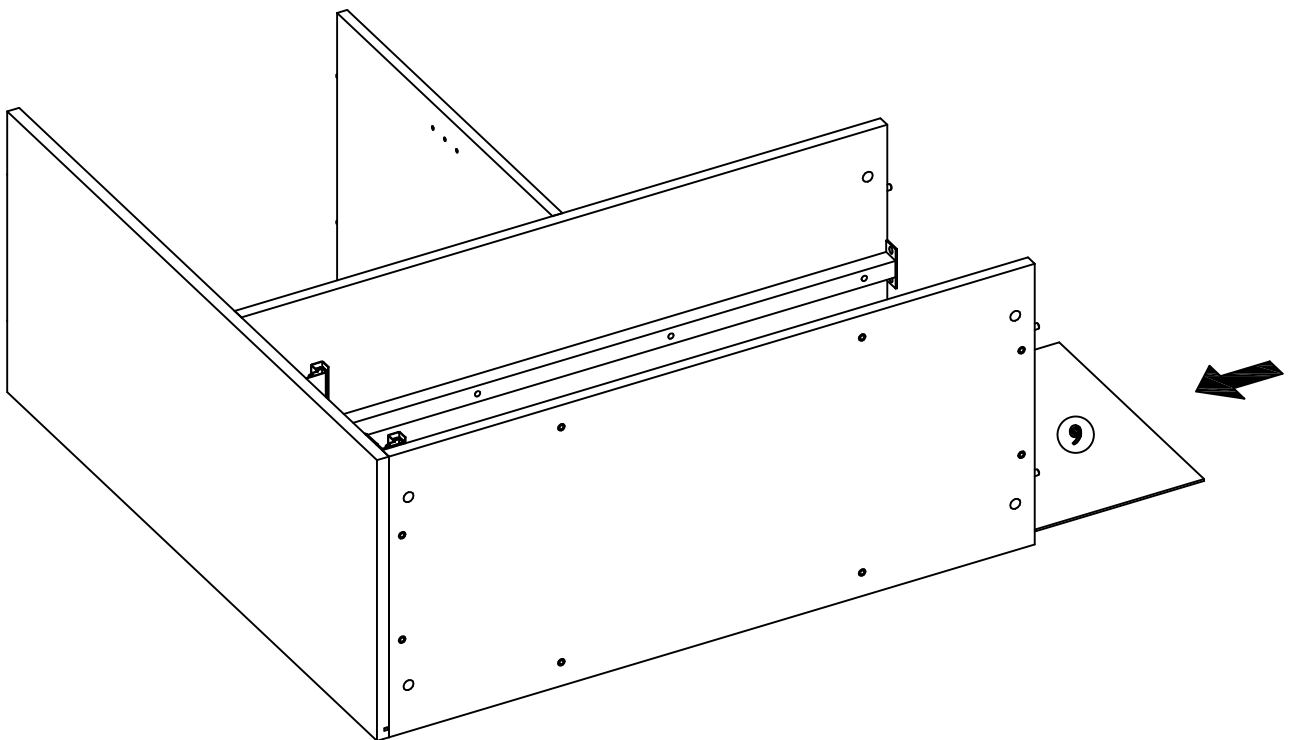
8



9

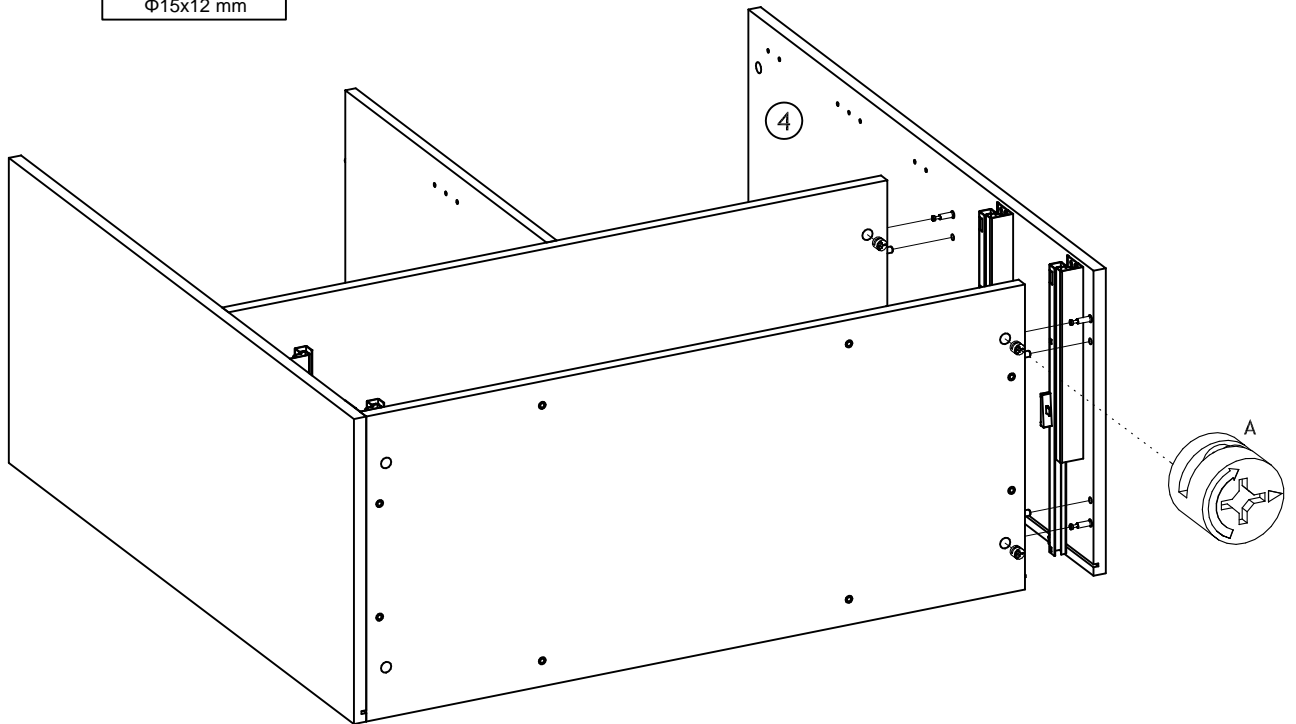
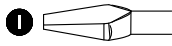
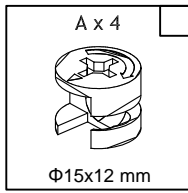


10

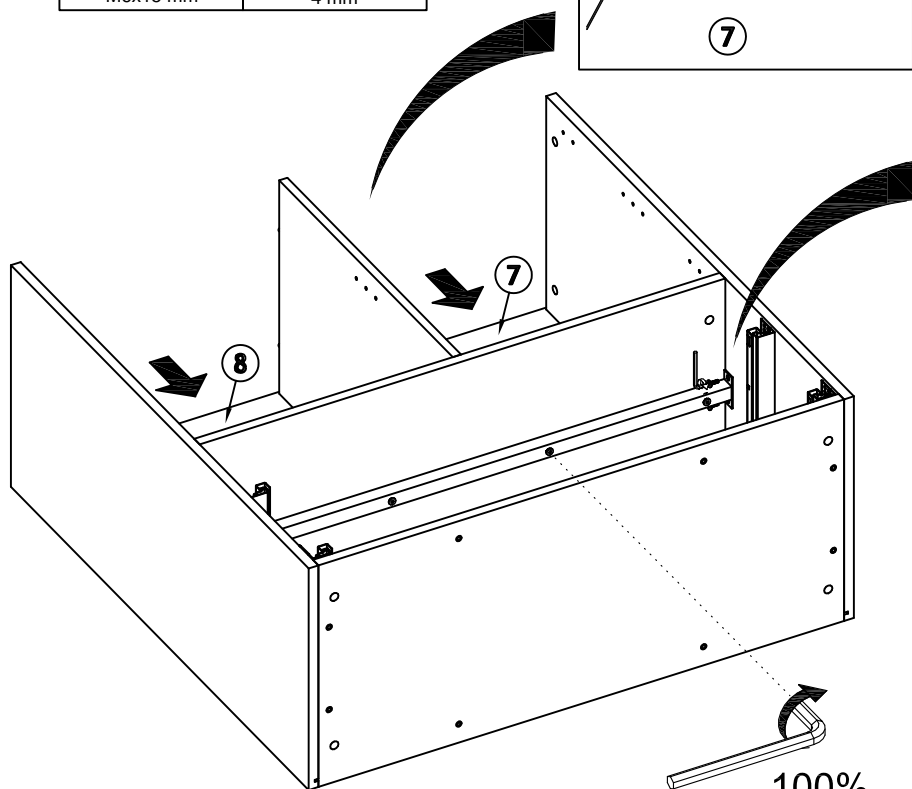
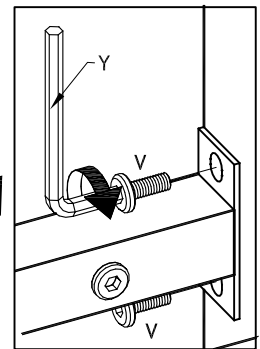
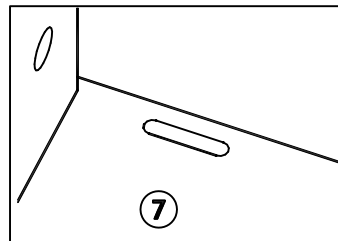
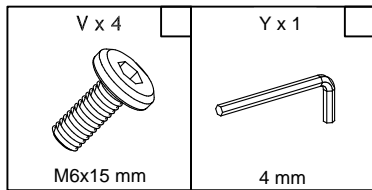




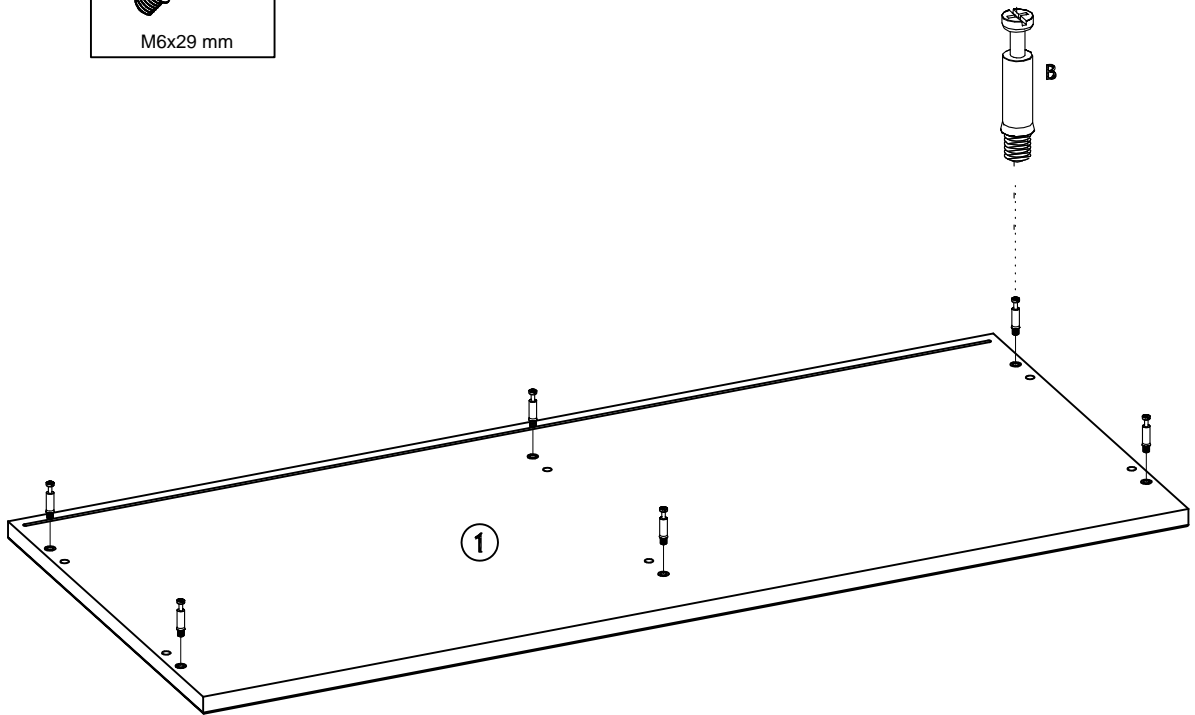
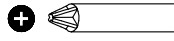
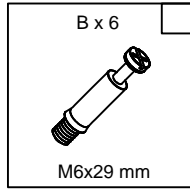
# 11



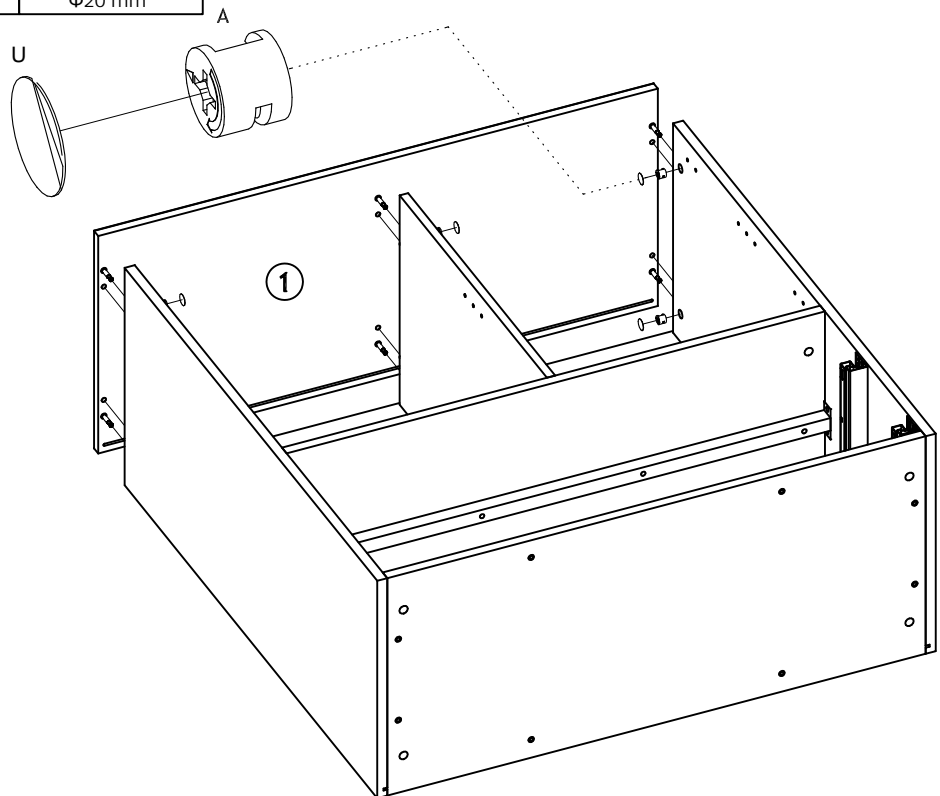
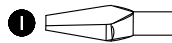
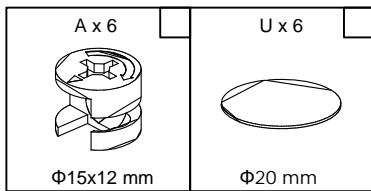
# 12



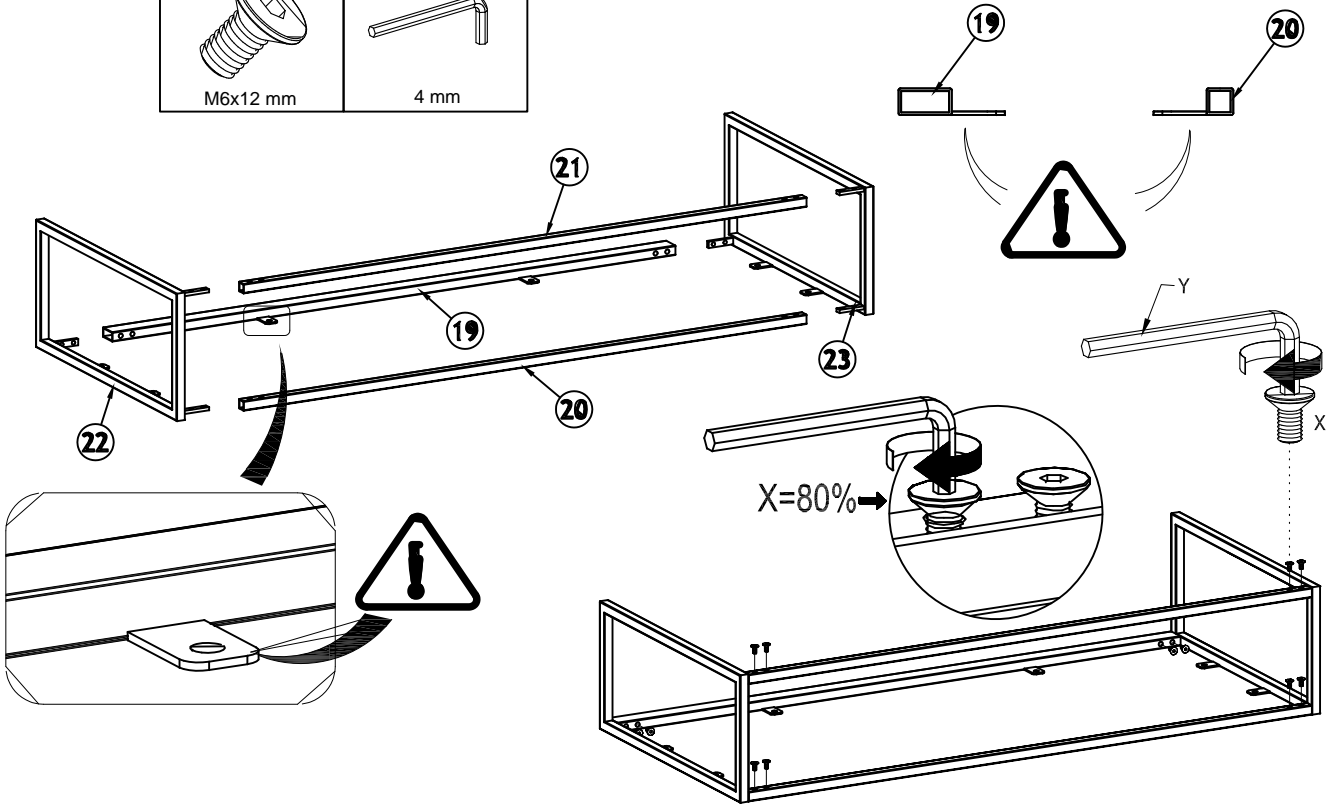
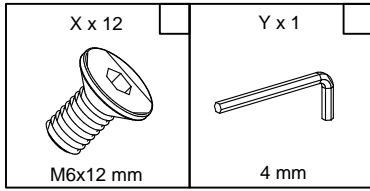
# 13



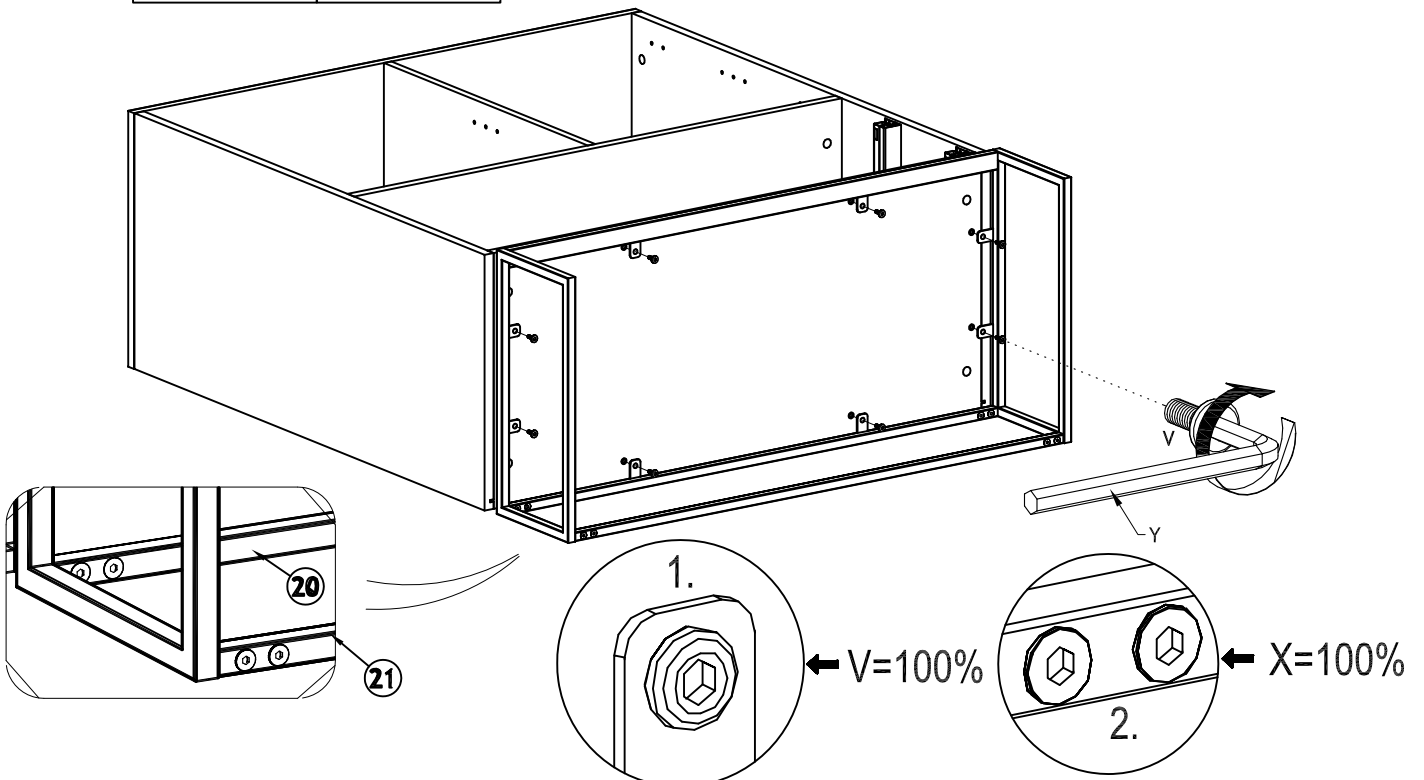
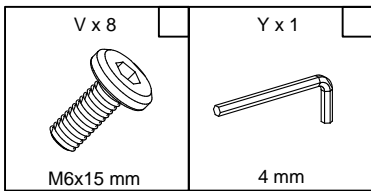
# 14



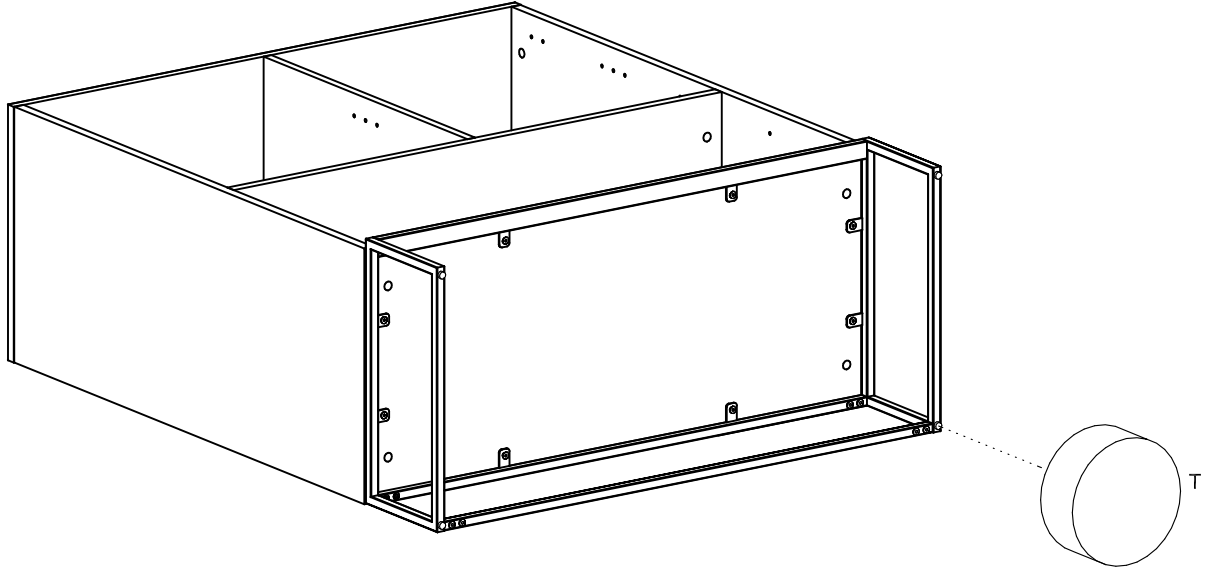
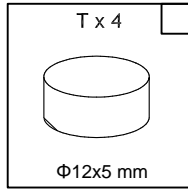
# 15



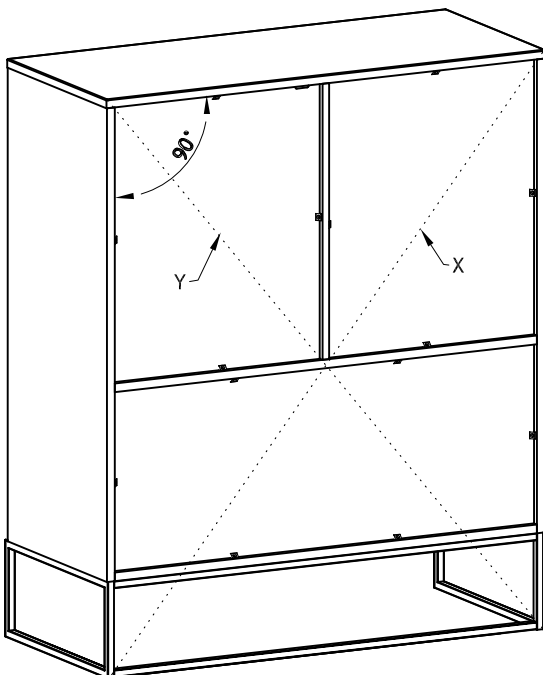
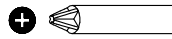
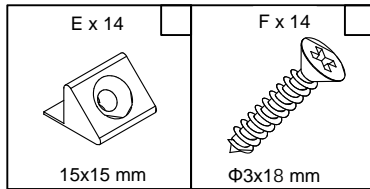
# 16



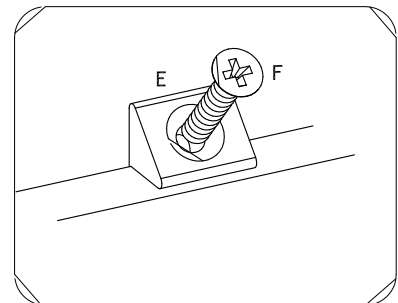
# 17



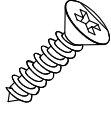
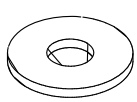
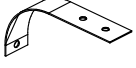
# 18

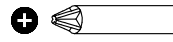


X=Y

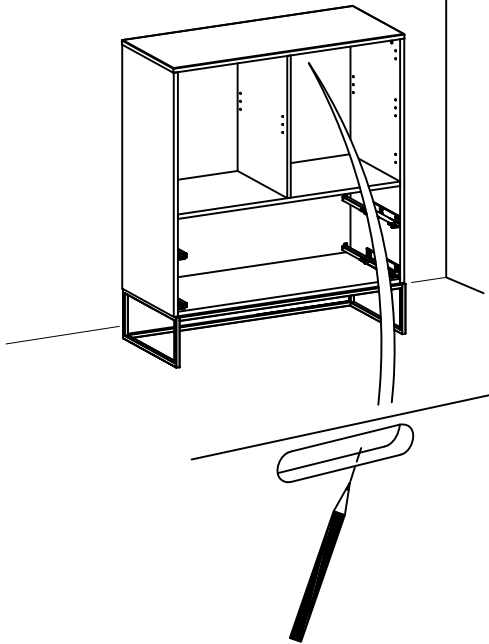


# 19

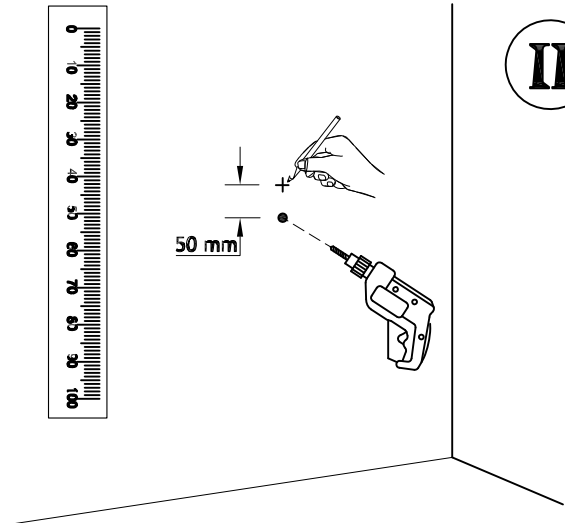
J x 2  Φ3.5x15 mm	L x 3  M4/Φ12 mm	M x 1  150*26 mm
--	---	---



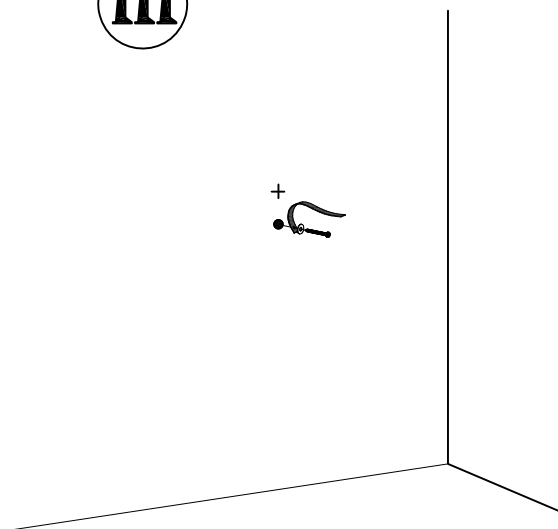
## I



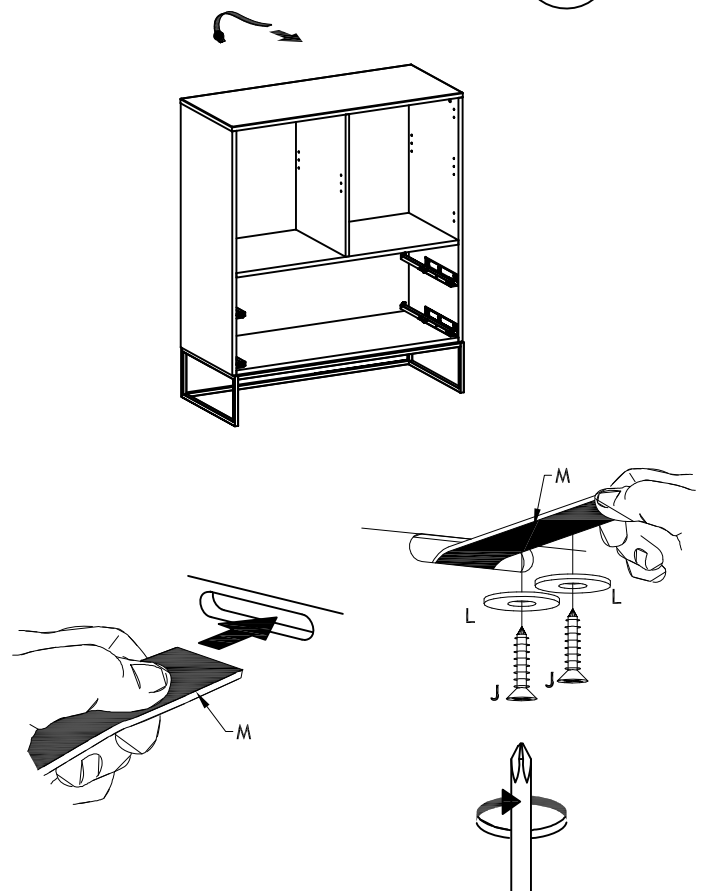
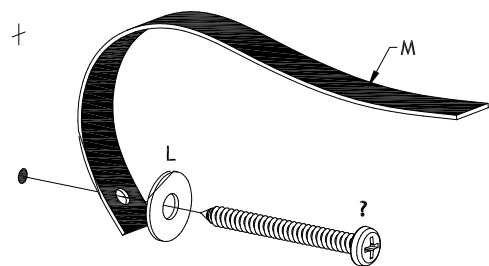
## II



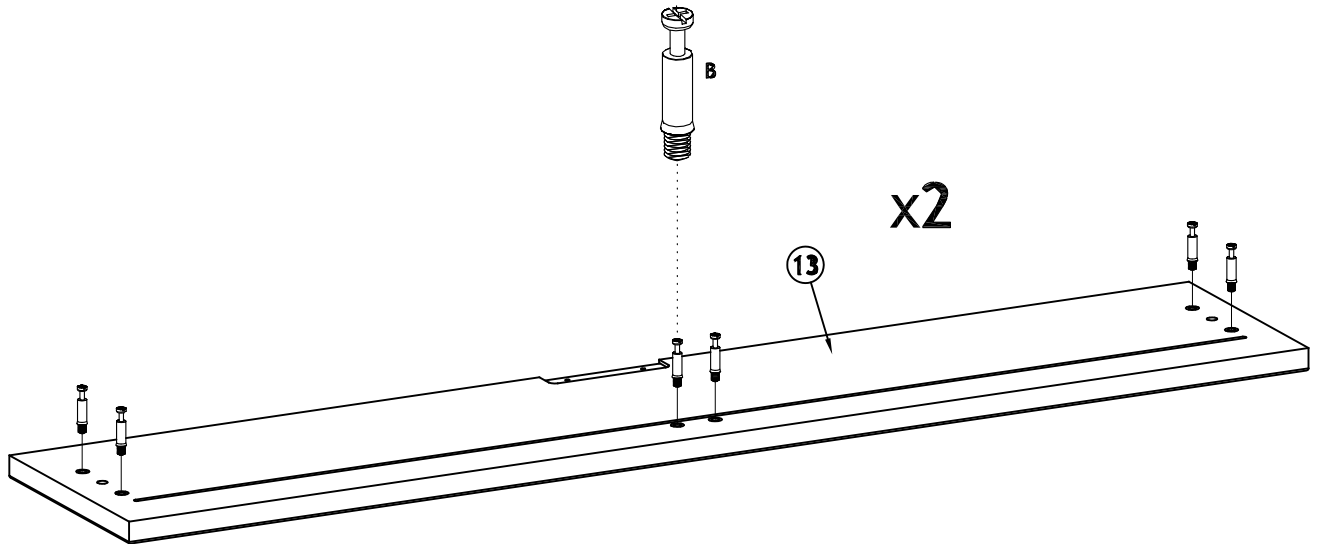
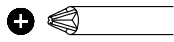
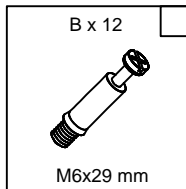
## III



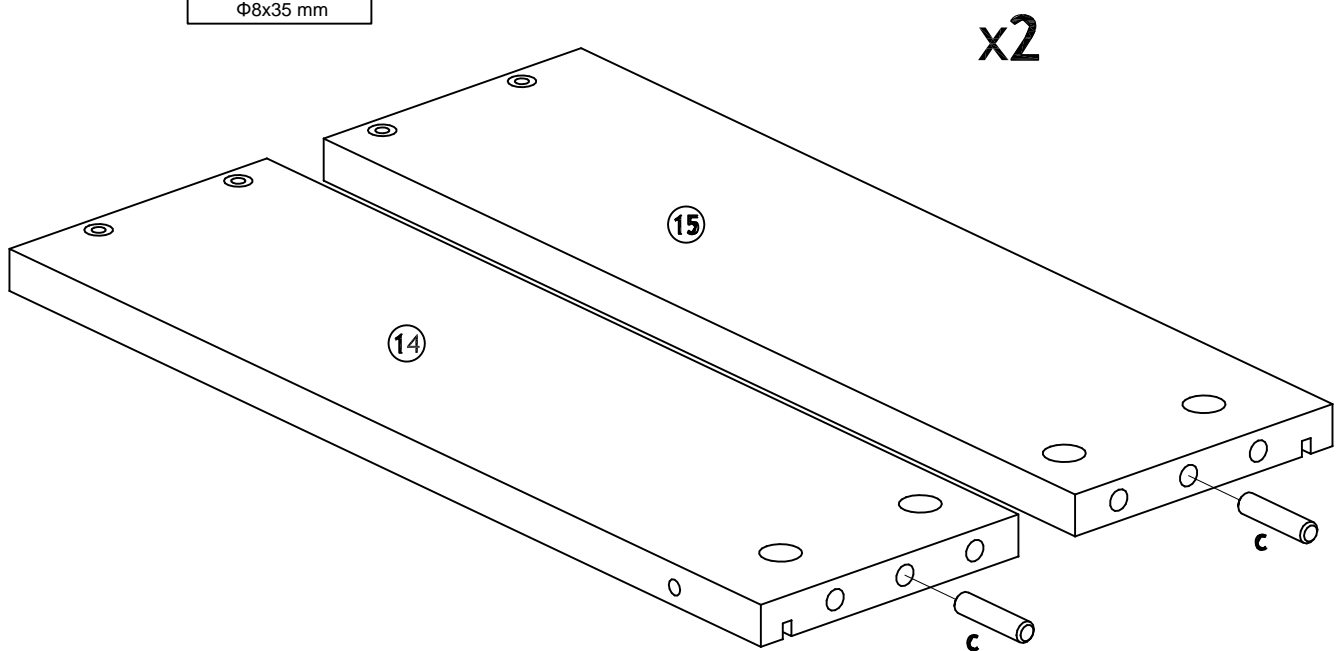
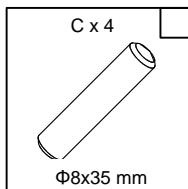
## IV



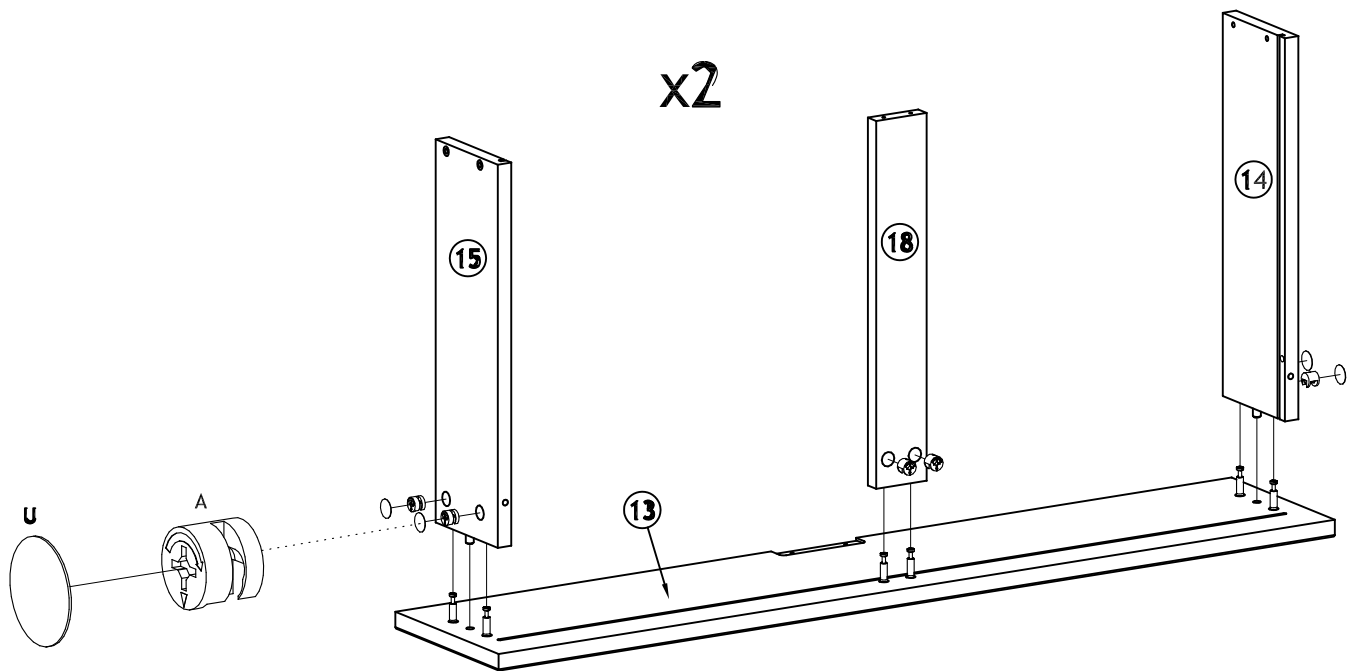
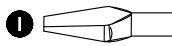
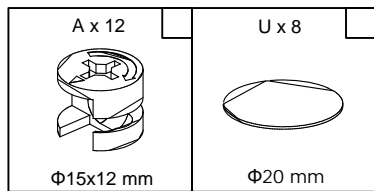
# 20



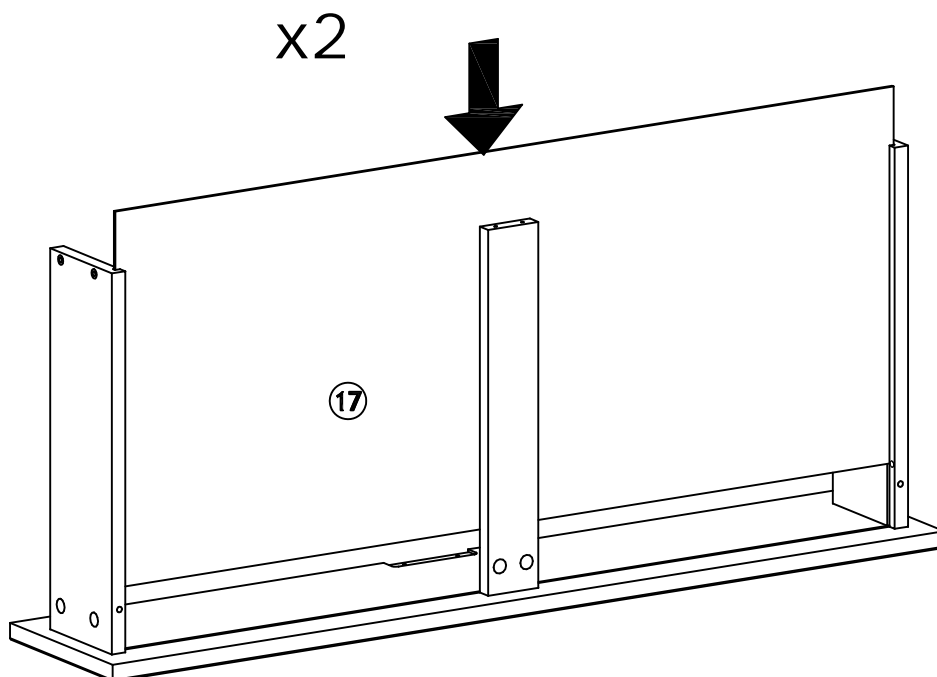
# 21



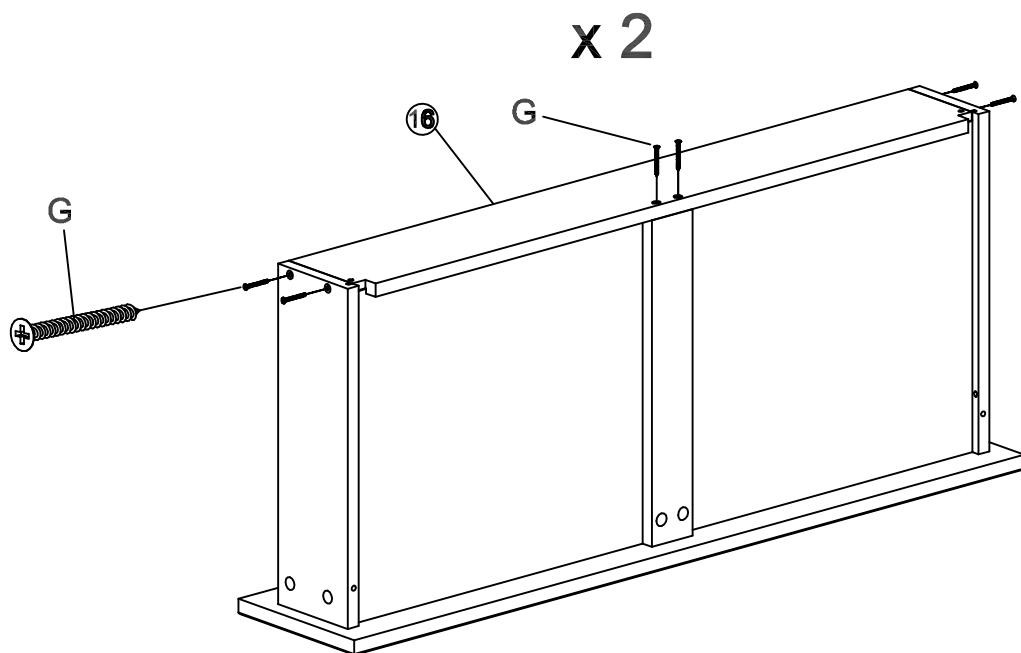
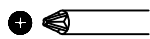
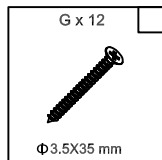
# 22



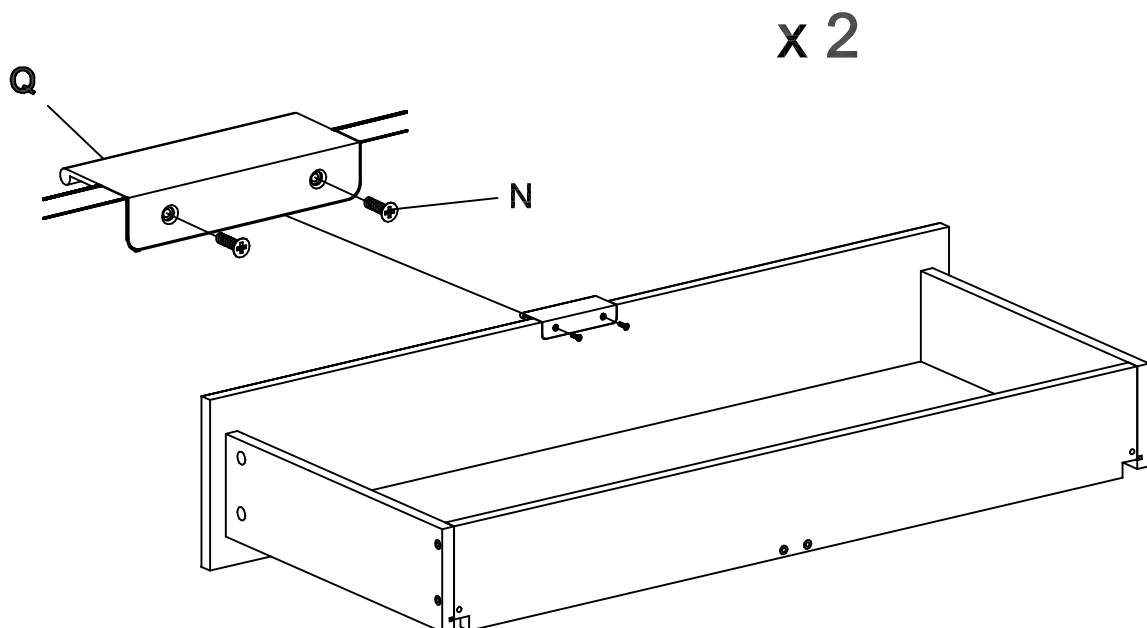
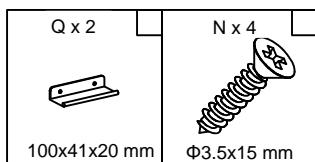
# 23



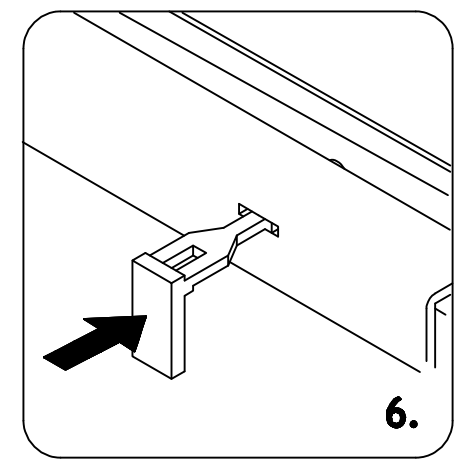
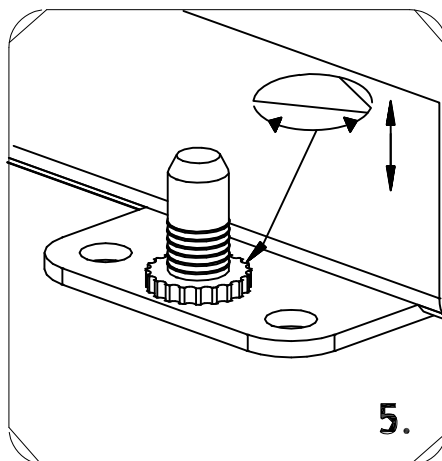
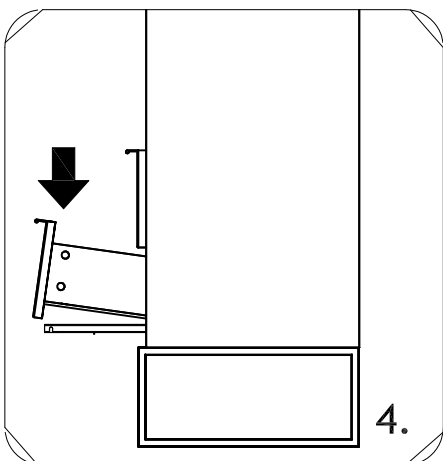
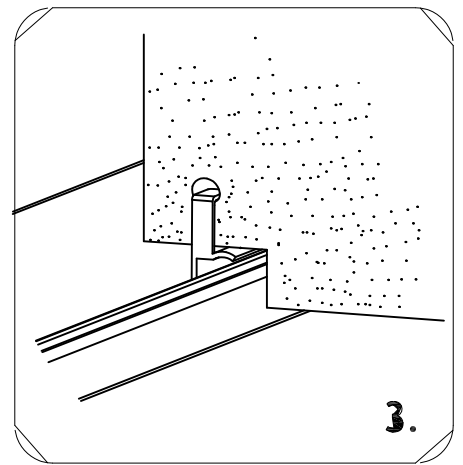
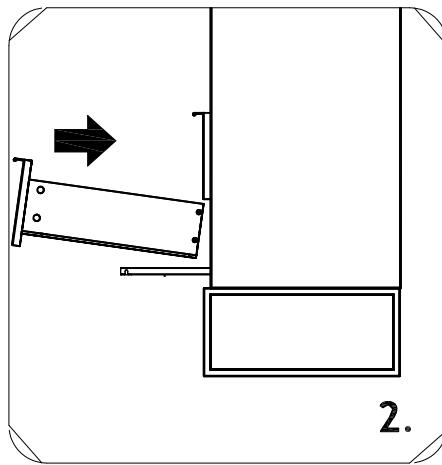
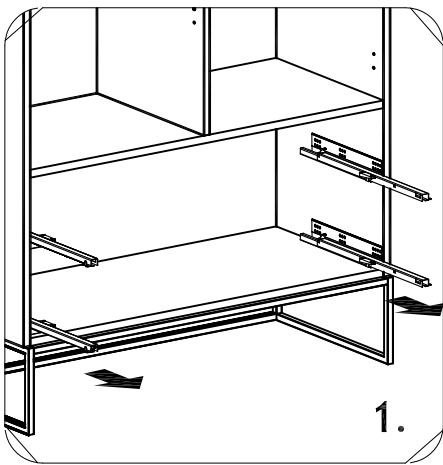
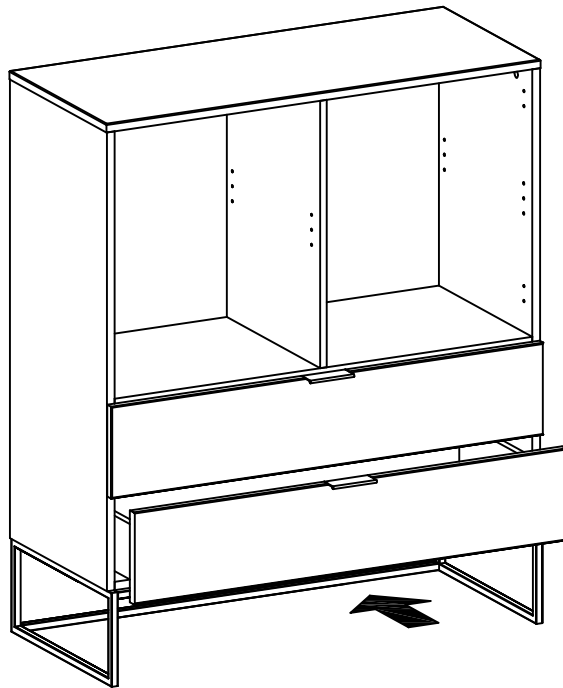
# 24



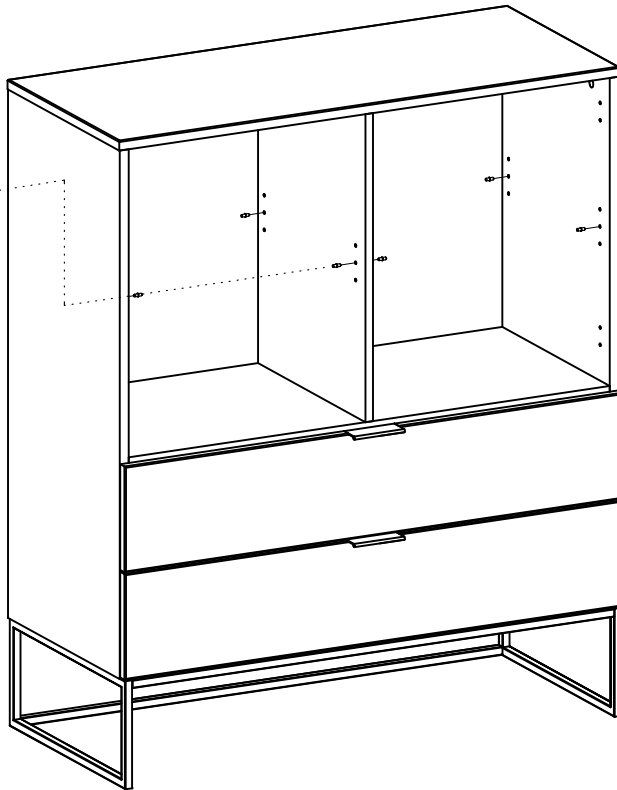
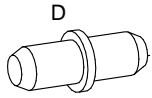
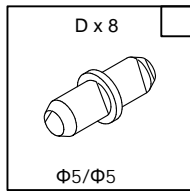
# 25



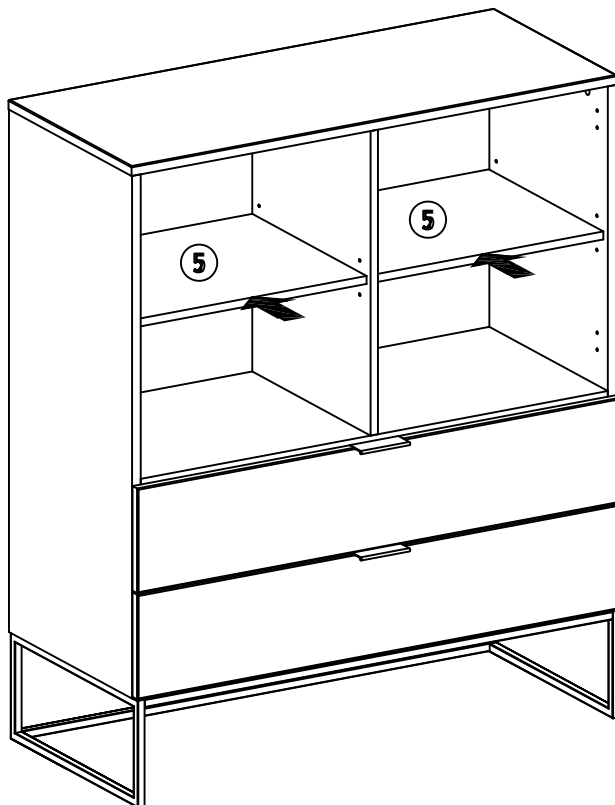




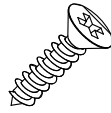
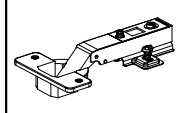
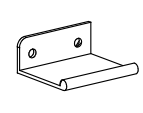
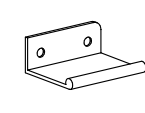
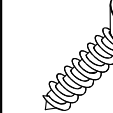
# 27

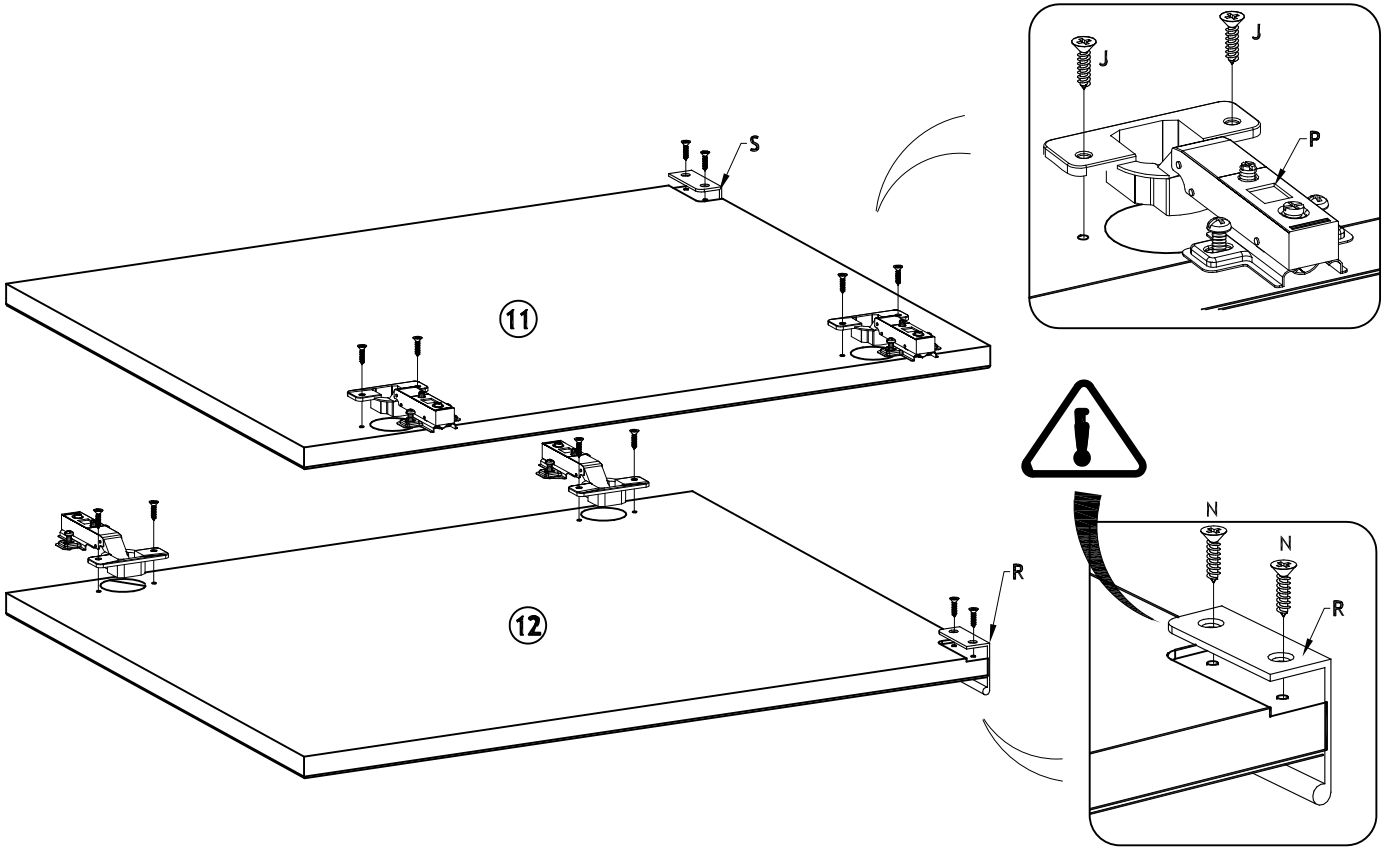


# 28

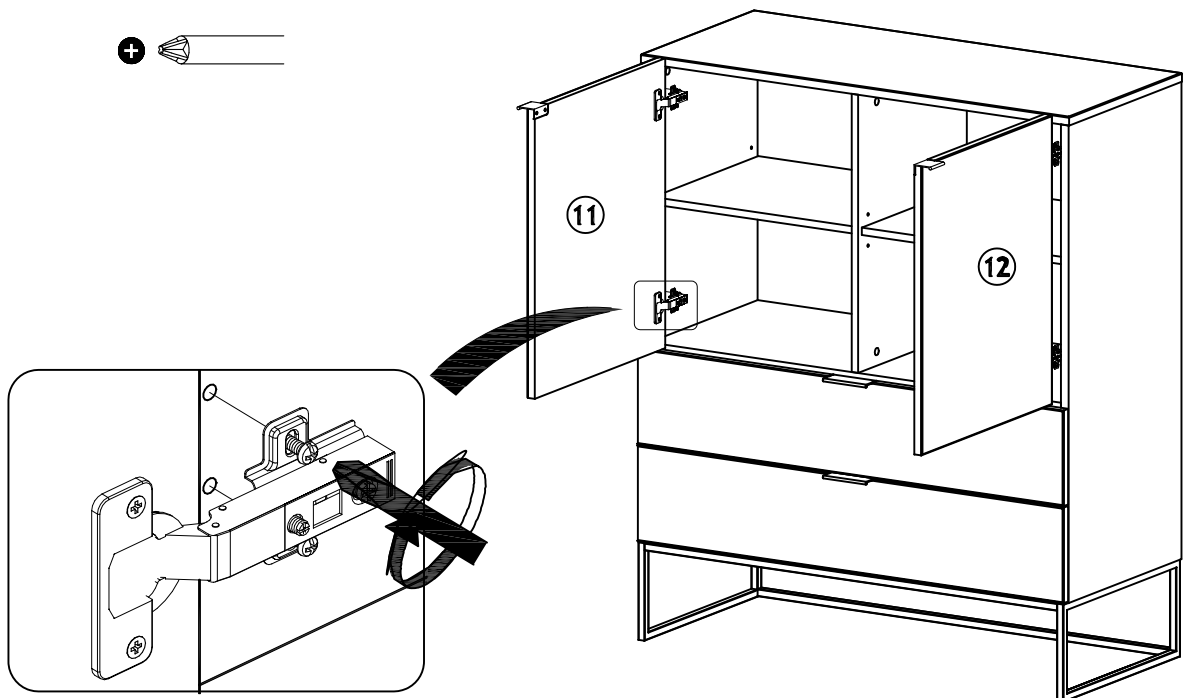


# 29

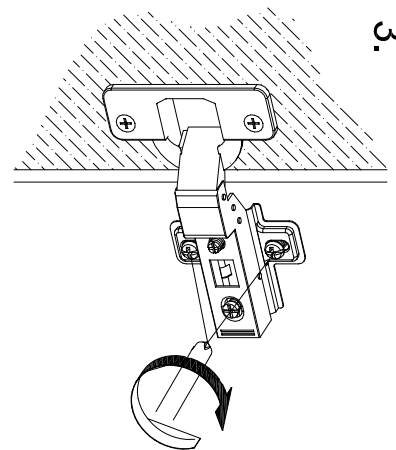
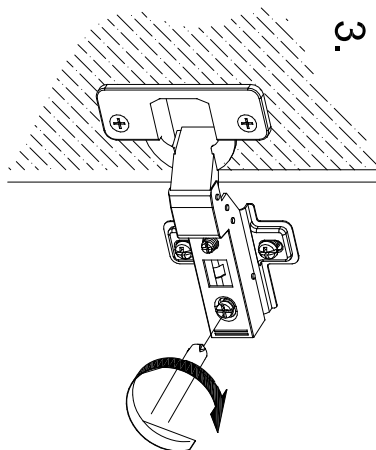
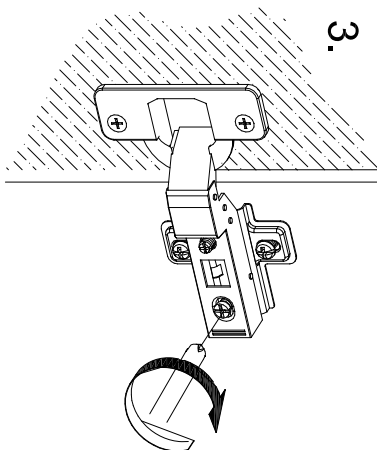
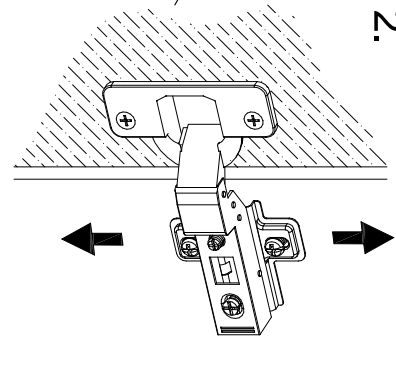
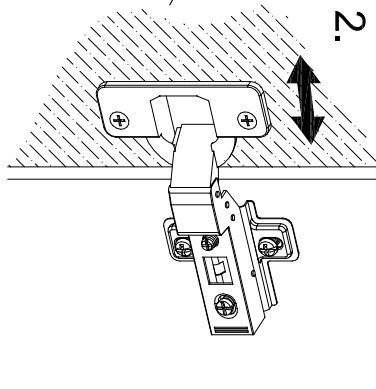
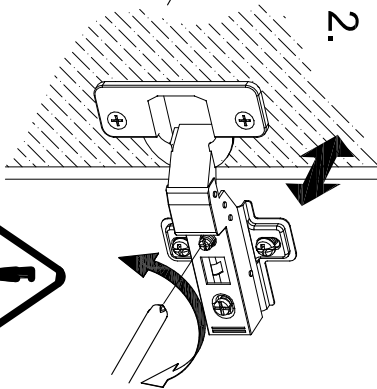
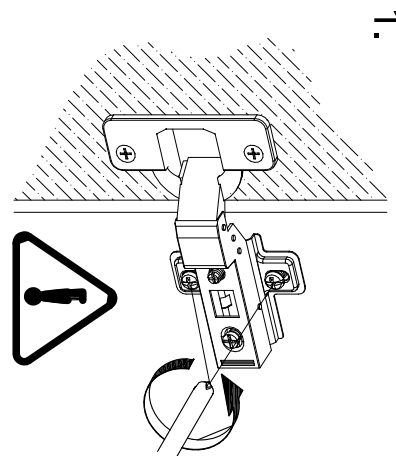
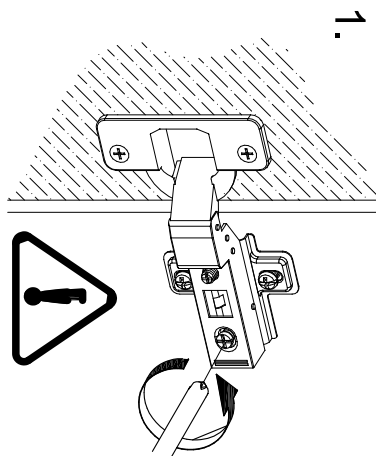
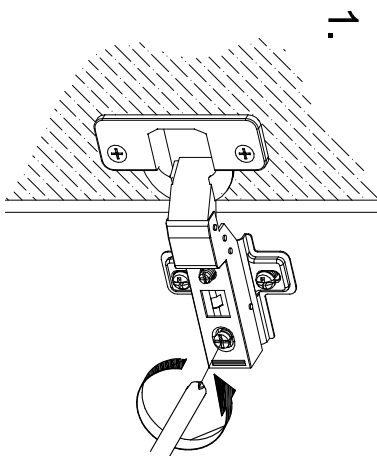
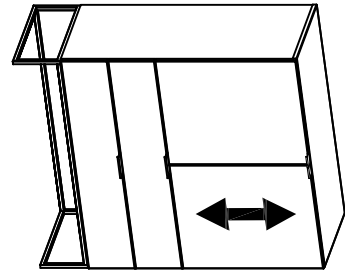
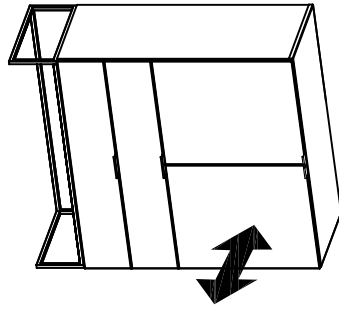
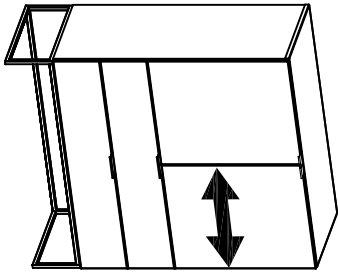
J x 8  Φ3.5x15 mm	P x 4  Φ35/FK0	R x 1  50x41x20 mm	S x 1  50x41x20 mm	N x 4  Φ3.5x15 mm
---	--	--	--	---



# 30



# 31



# 32

