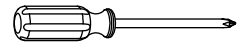
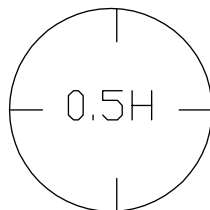
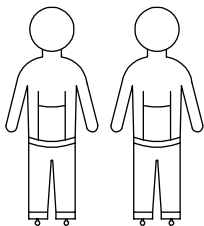
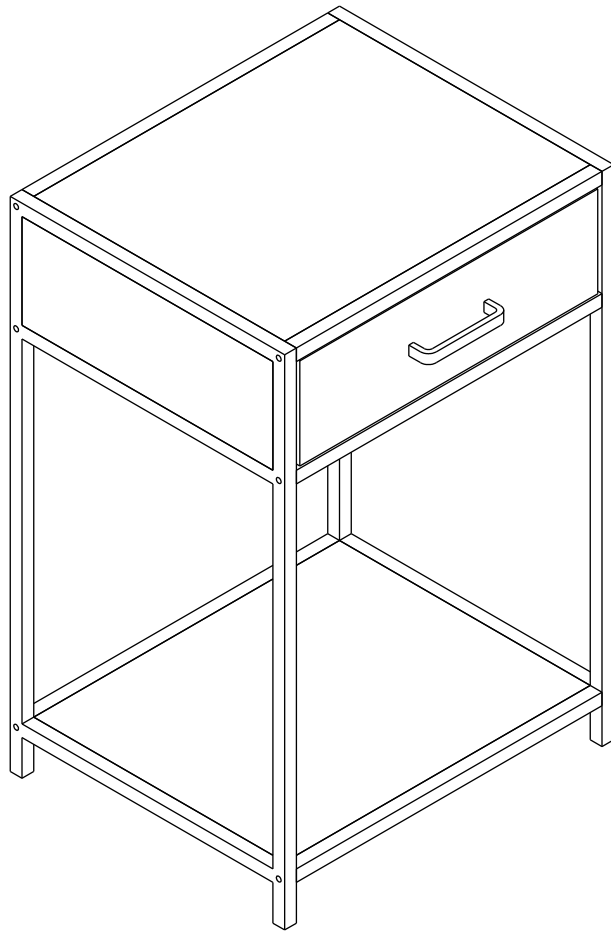
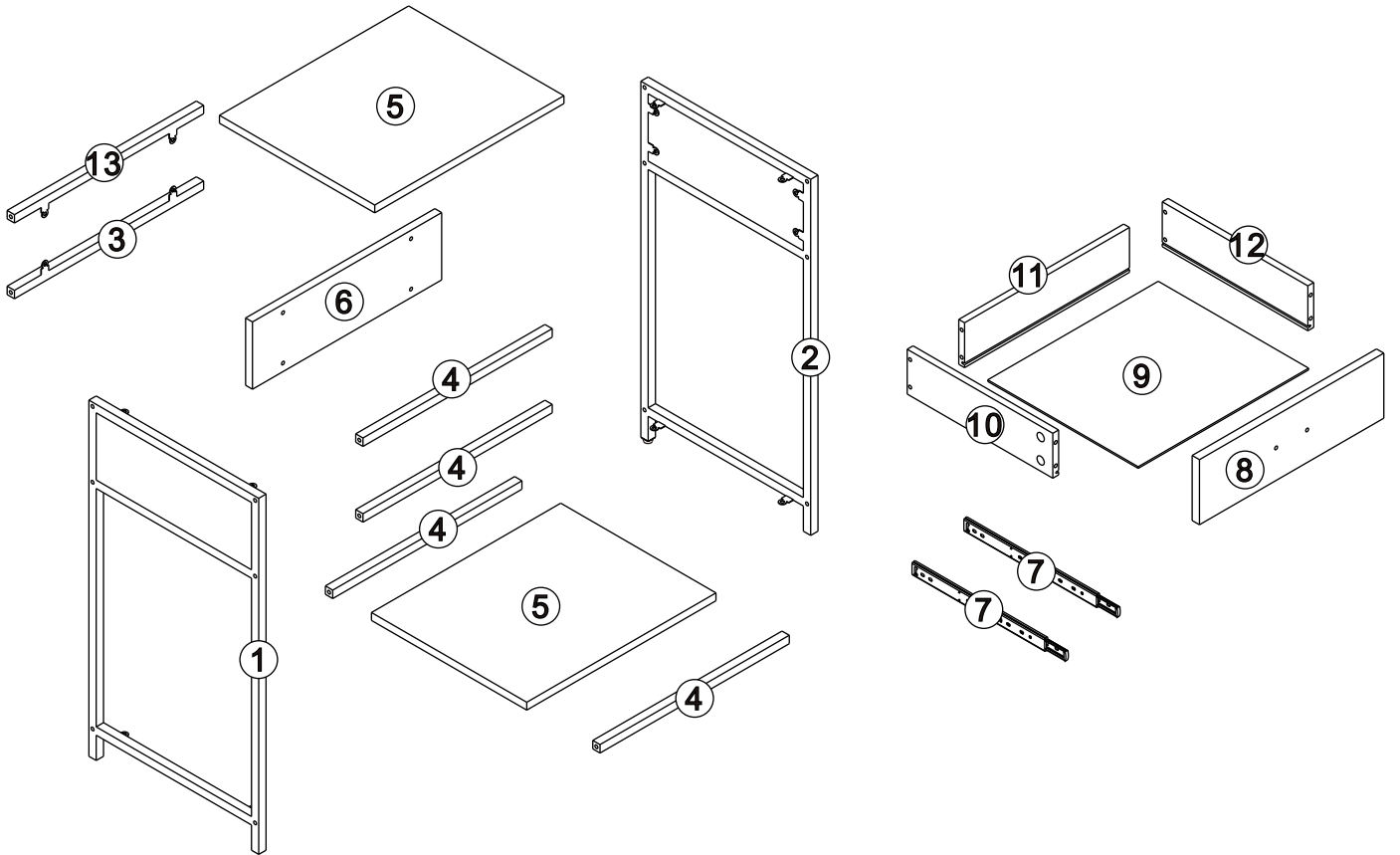
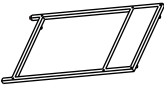
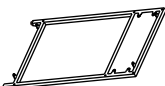


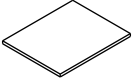
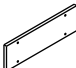

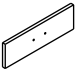
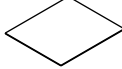









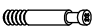







# Seaford

---

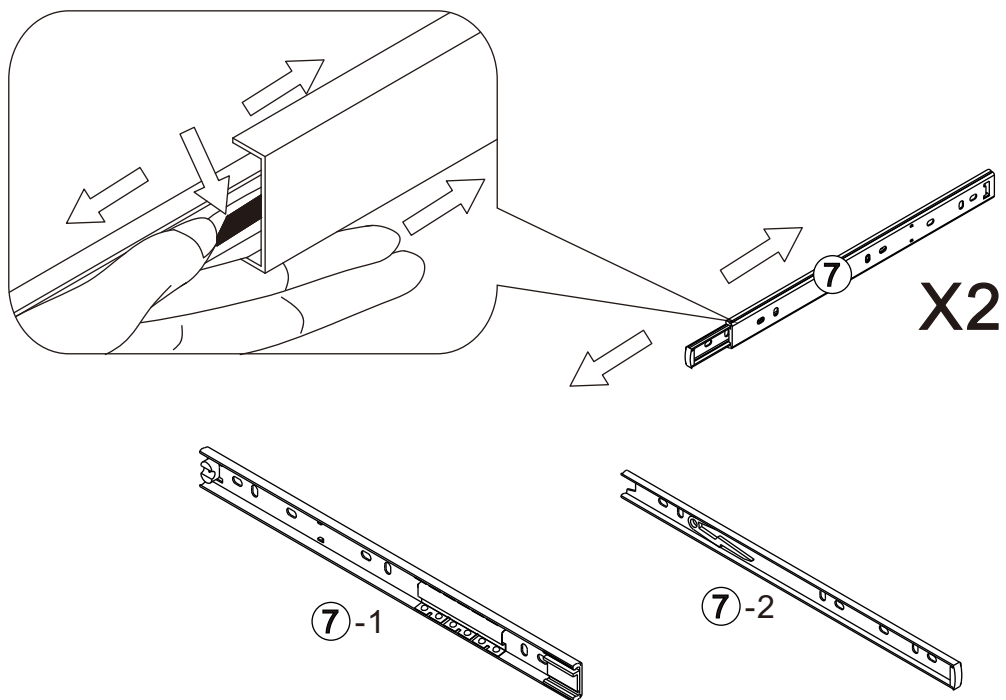




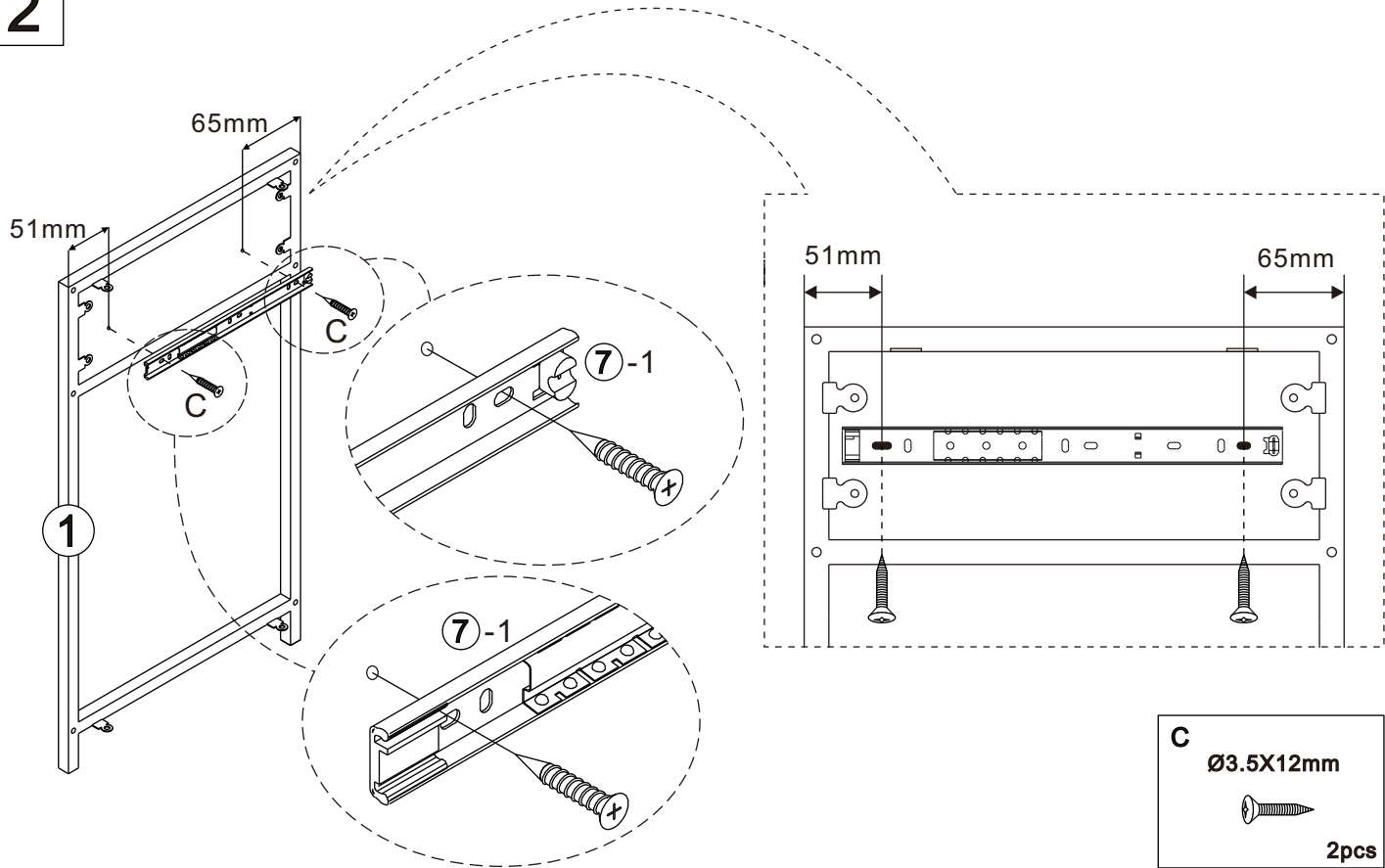
 <b>1</b> 1pc	 <b>2</b> 1pc	 <b>3</b> 1pc	 <b>4</b> 4pcs	 <b>5</b> 2pcs
 <b>6</b> 1pc	 <b>7</b> 2pcs	 <b>8</b> 1pc	 <b>9</b> 1pc	 <b>10</b> 1pc
 <b>11</b> 1pc	 <b>12</b> 1pc	 <b>13</b> 1pc		

<b>A</b> M6X15mm  12pcs	<b>B</b> Ø4X12mm  13pcs	<b>C</b> Ø3.5X12mm  8pcs	<b>D</b> M6X22mm  4pcs	<b>E</b> Ø12  4pcs	<b>F</b> Ø4X35mm  4pcs
<b>G</b> 101X24X11mm  1pc	<b>H</b> M4X18mm  2pcs	<b>I</b> 4mm  1pc	<b>J</b> Ø13  2pcs	<b>K</b> 200X25X1.3mm  1pc	

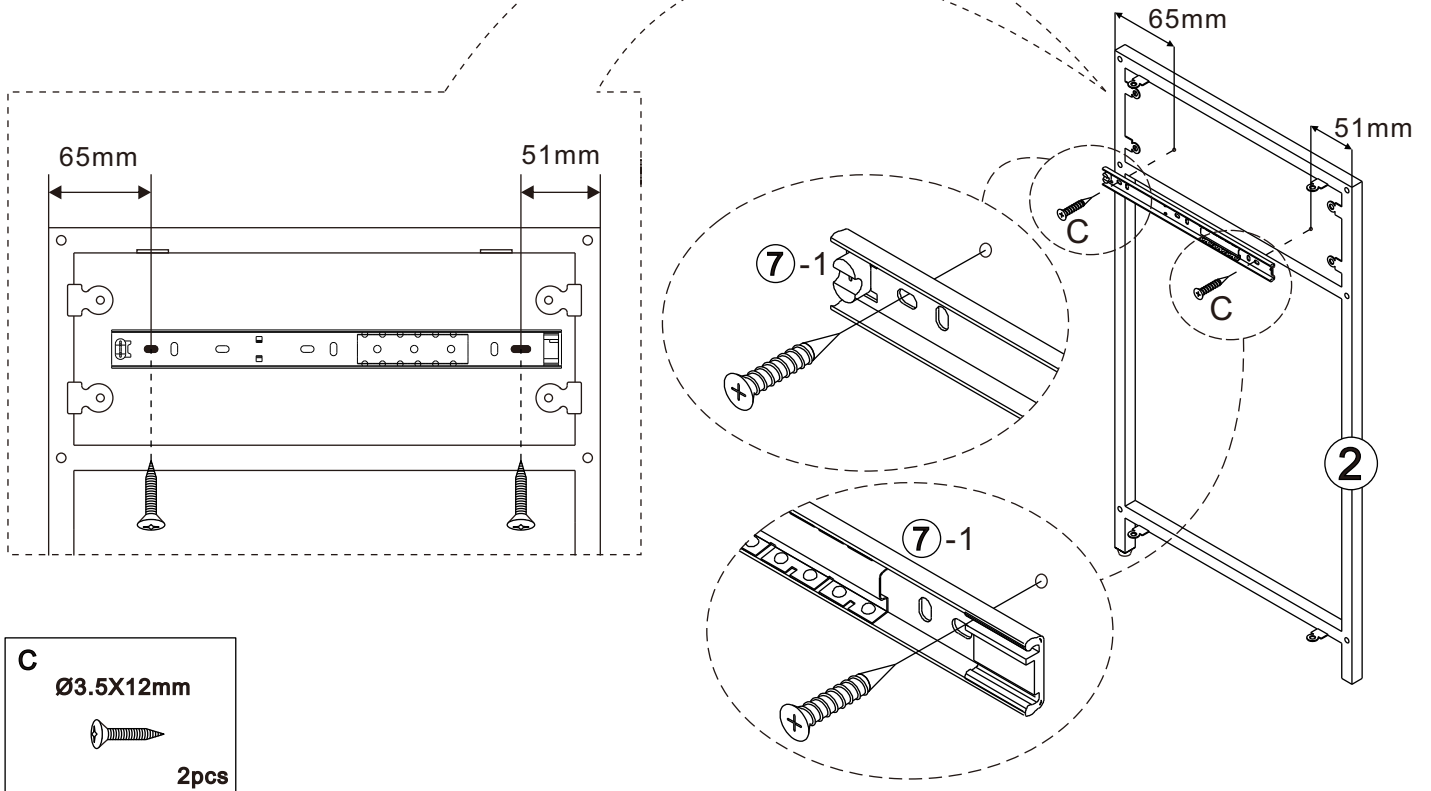
1



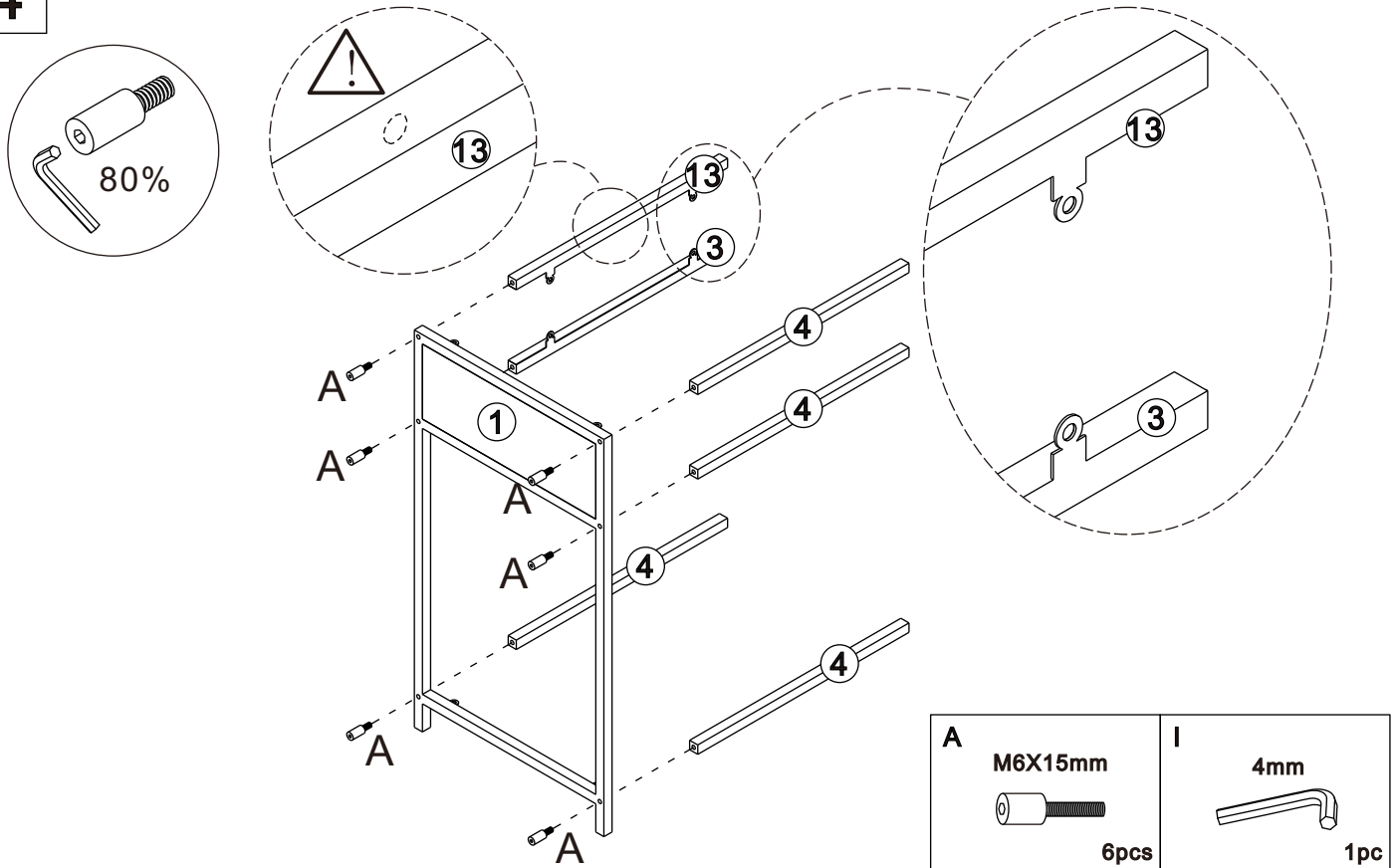
2



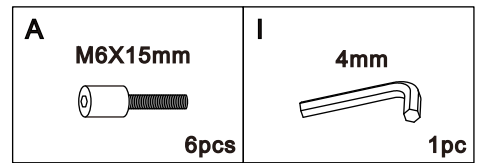
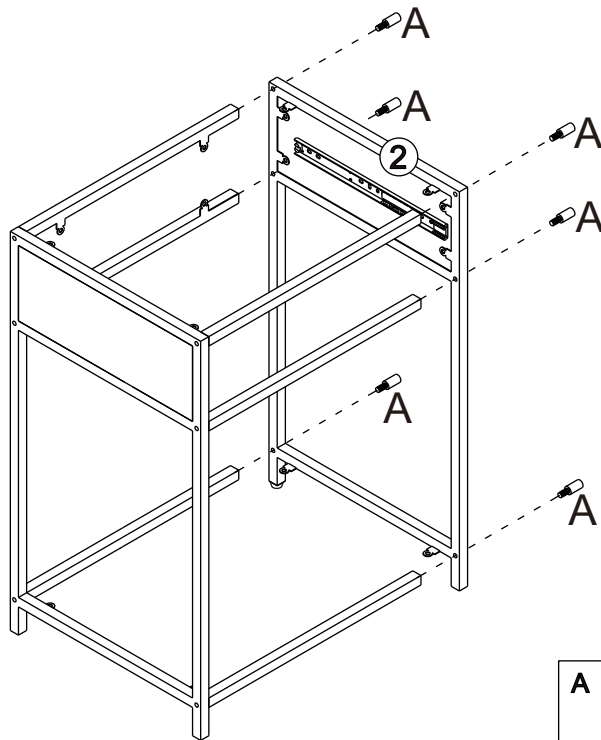
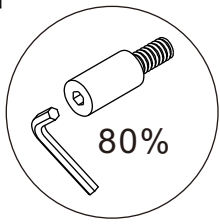
3



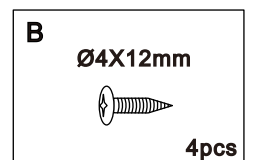
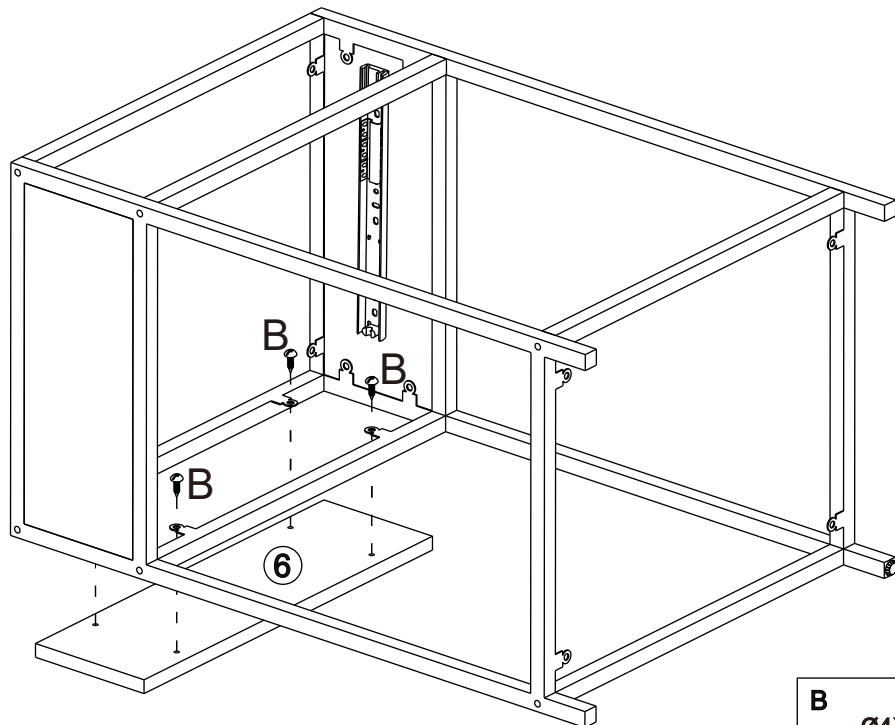
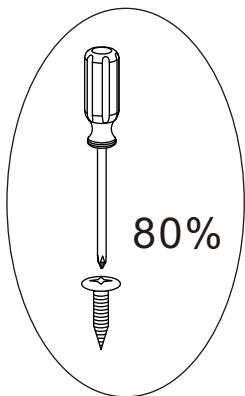
4



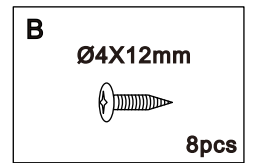
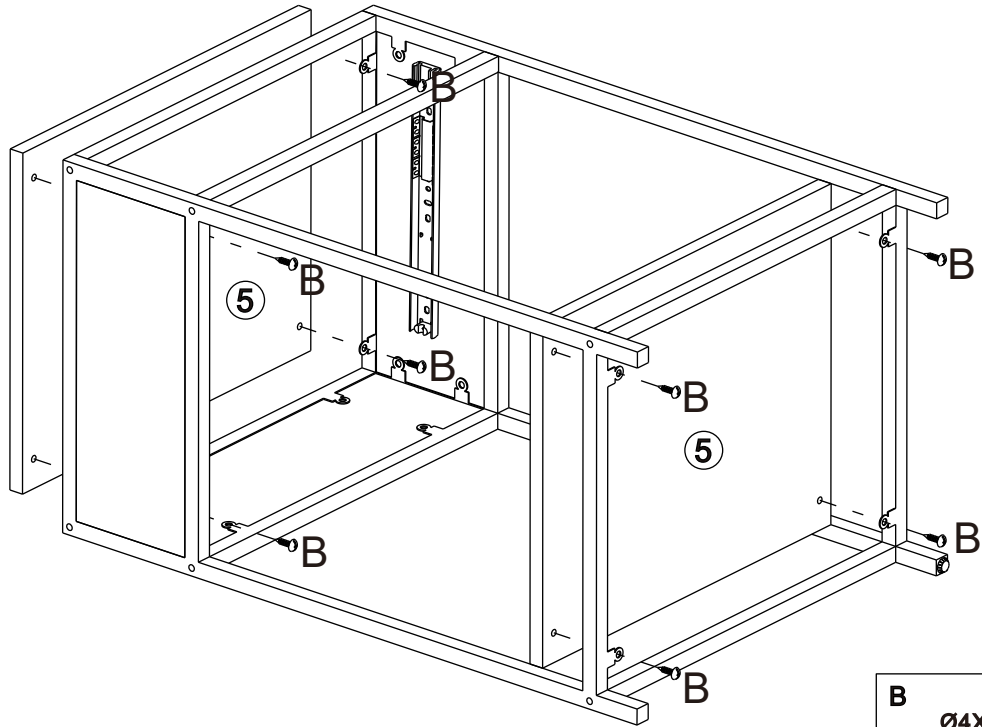
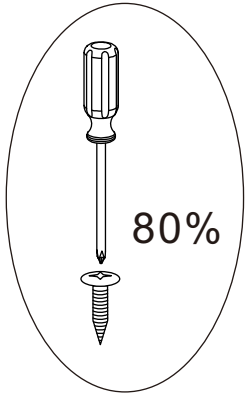
5



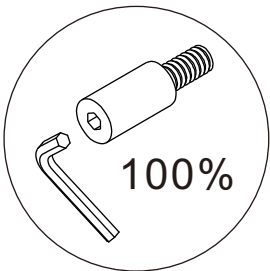
6



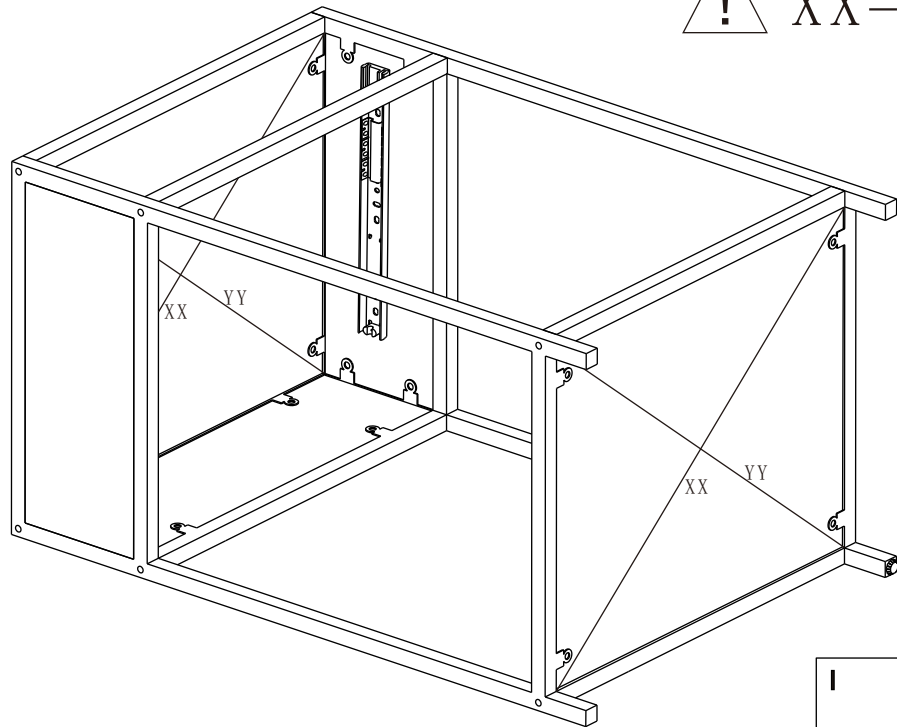
7



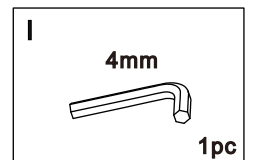
8



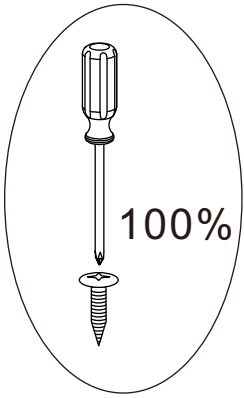
**Ax12**



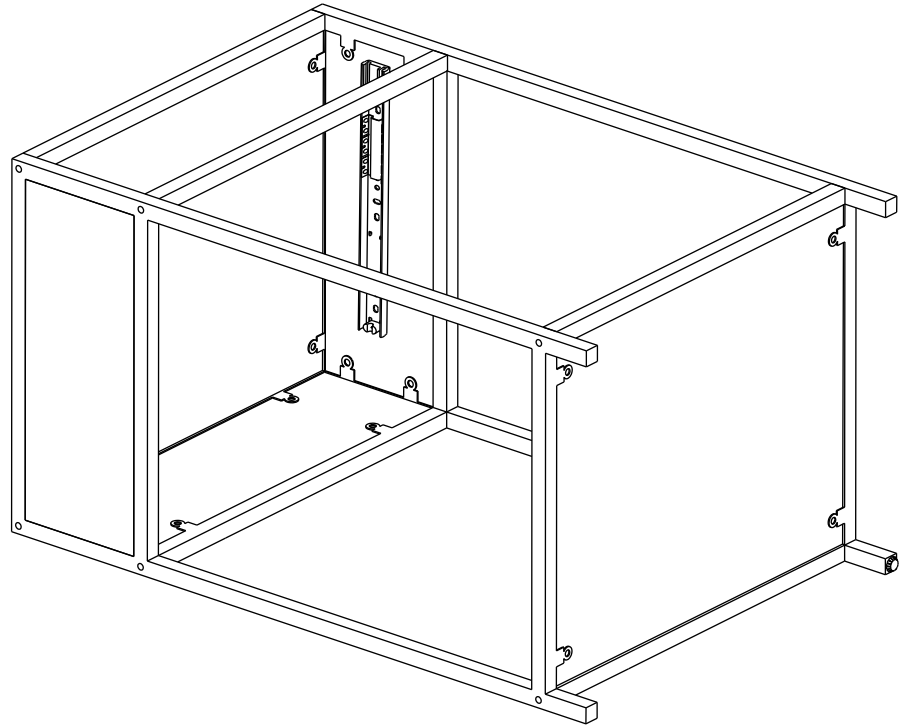
! XX=YY



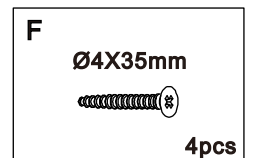
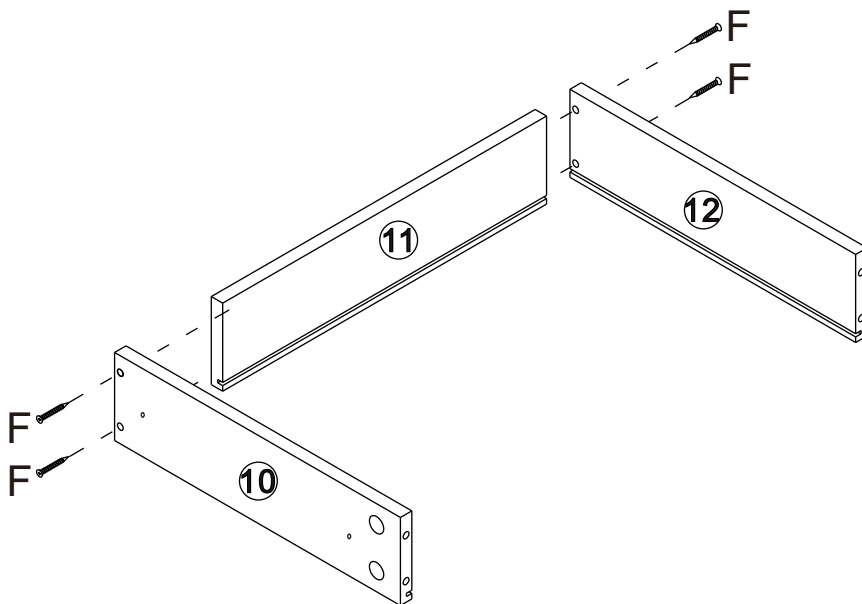
9



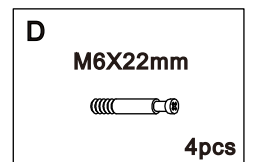
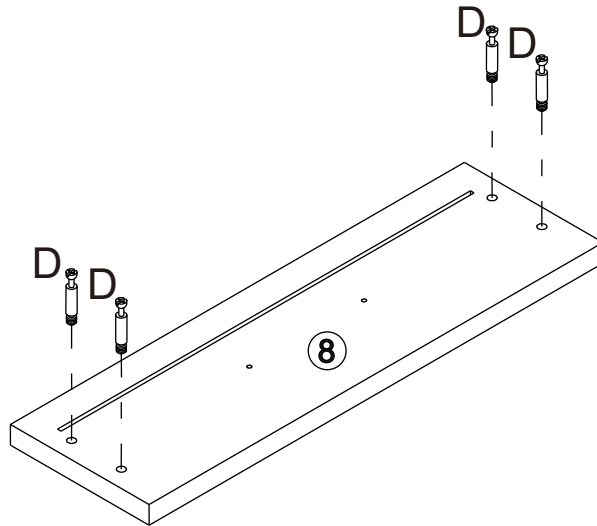
Bx12



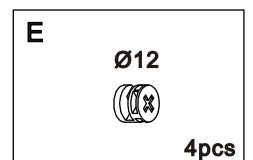
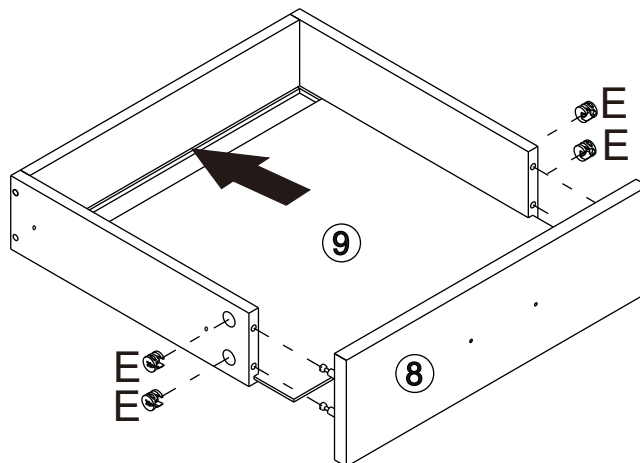
10



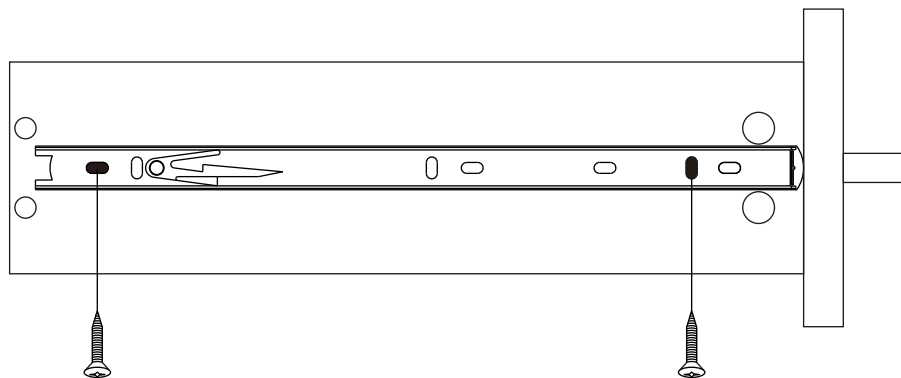
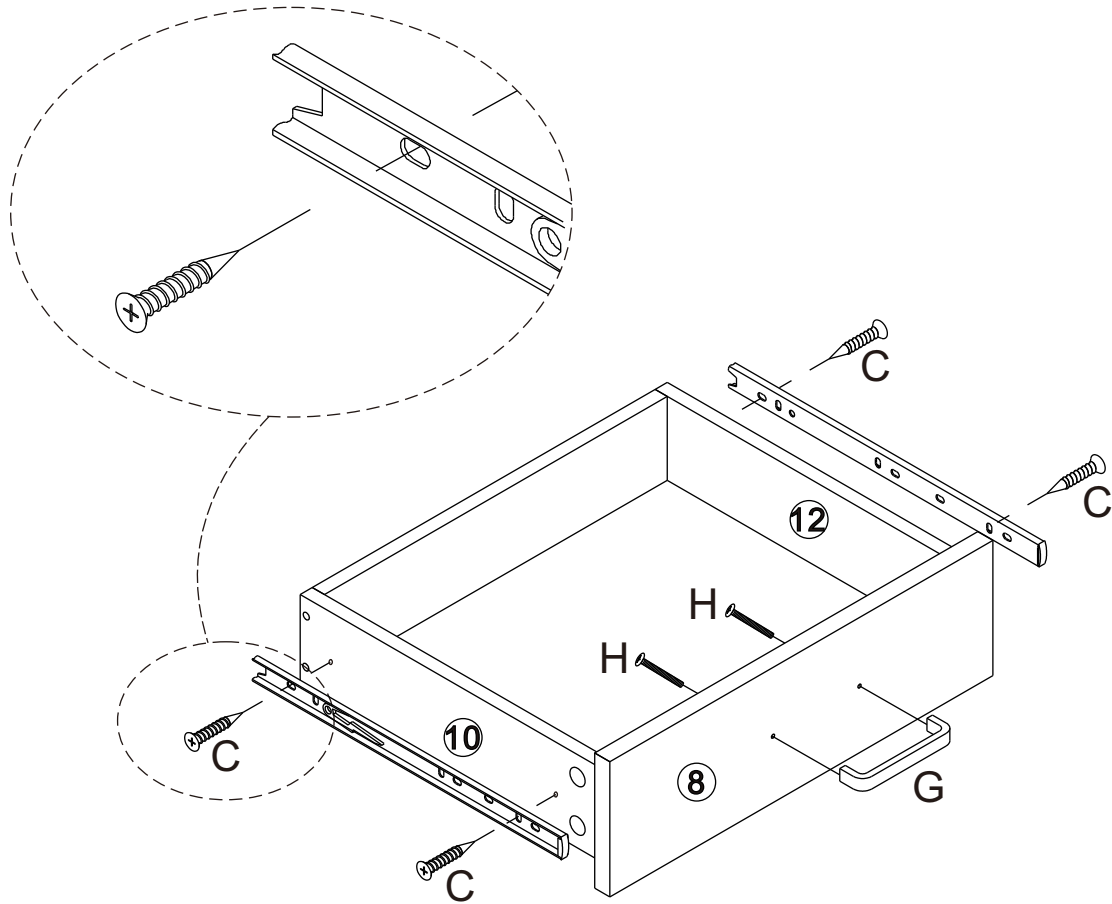
11

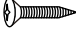
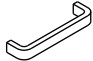



12

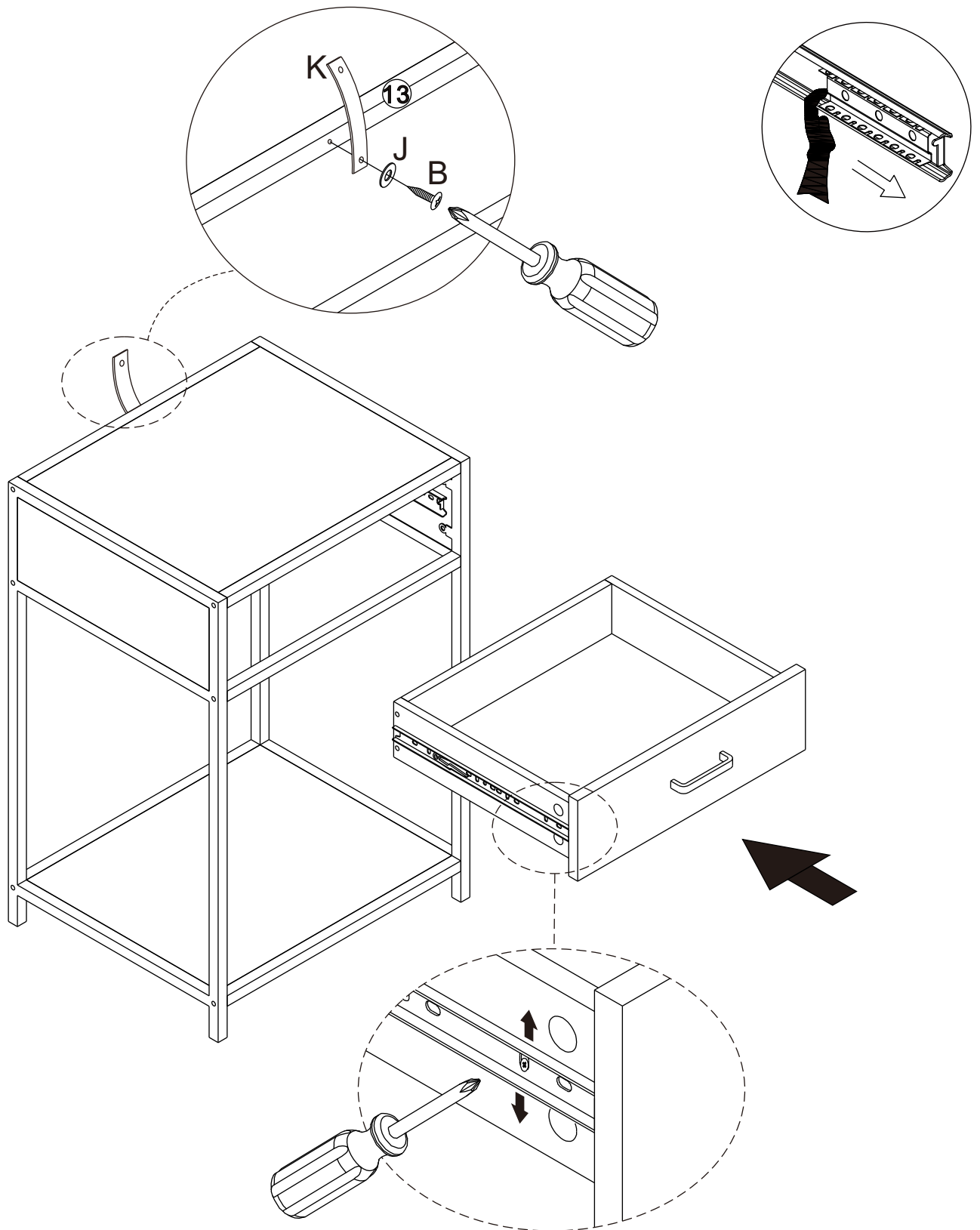


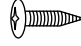






<p><b>C</b> Ø3.5X12mm</p>  <p>4pcs</p>	<p><b>G</b> 101X24X11mm</p>  <p>1pc</p>	<p><b>H</b> M4X18mm</p>  <p>2pcs</p>
---	--	---

14



<b>B</b> Ø4X12mm  1pc	<b>J</b> Ø13  1pc	<b>K</b> 200X25X1.3mm  1pc
---	---	--

15

