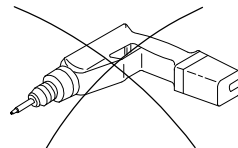
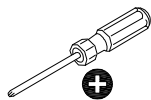
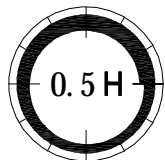
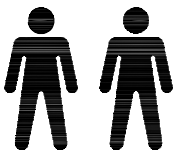
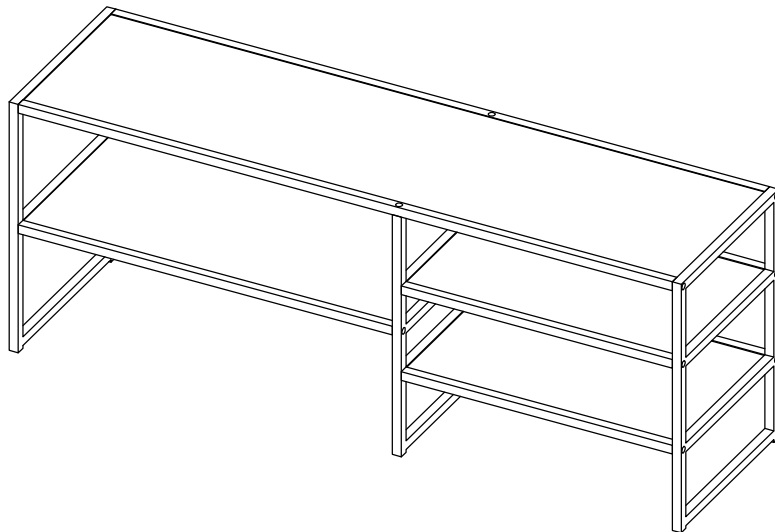
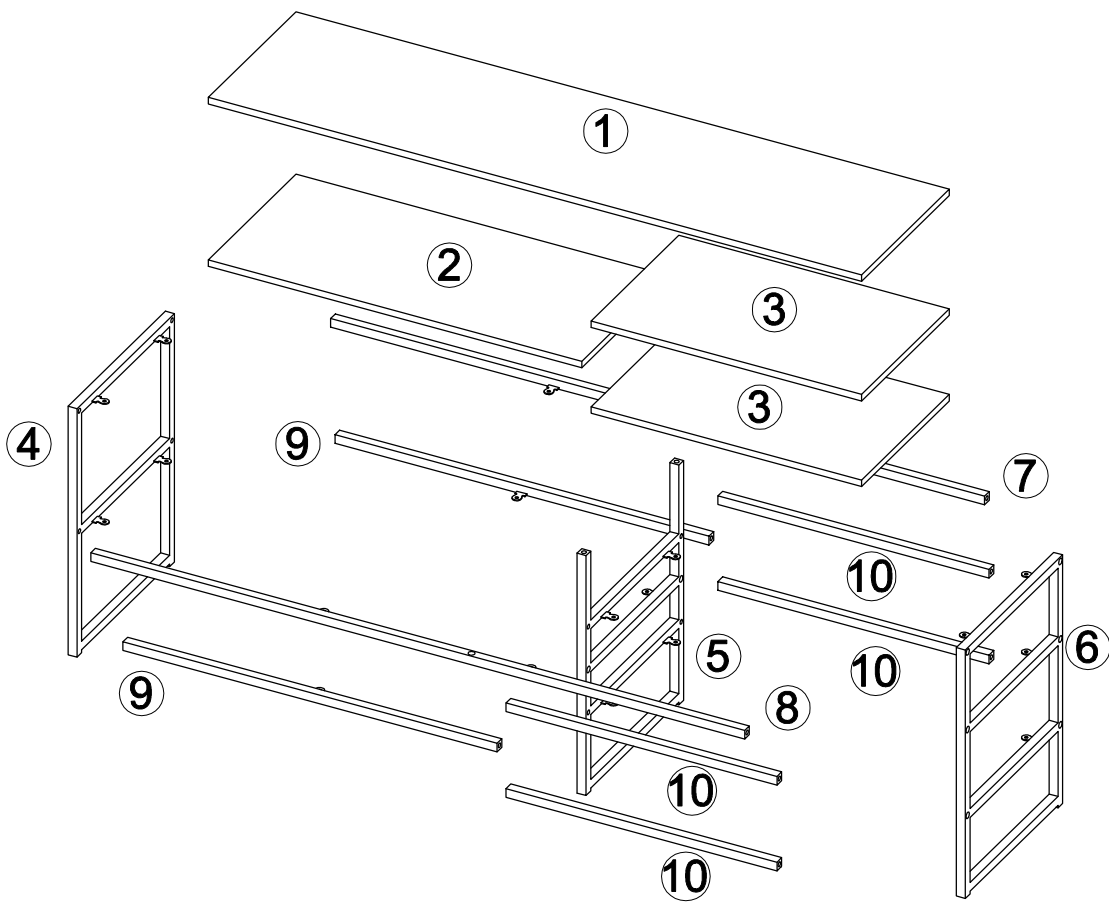


# Seaford


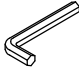


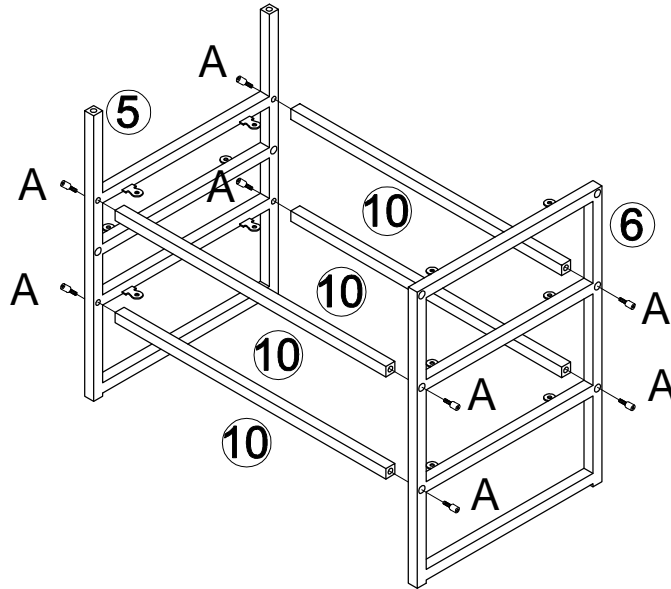
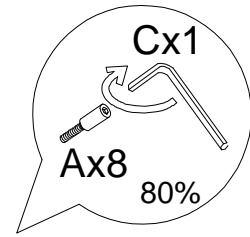
|   |   |             |   |   |   |            |
|---|---|-------------|---|---|---|------------|
|   |   |             | ✓ |   |   |            |
| ① | 1 | 1167x297x12 |   | ⑥ | 1 | 460x330x42 |
| ② | 1 | 667x297x12  |   | ⑦ | 1 | 1168x42x16 |
| ③ | 2 | 483x297x12  |   | ⑧ | 1 | 1168x42x16 |
| ④ | 1 | 460x330x42  |   | ⑨ | 2 | 668x42x16  |
| ⑤ | 1 | 444x330x68  |   | ⑩ | 4 | 484x16x16  |




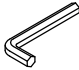
| A x 18  | B x 22  | C x 1 |
|---------|---------|-------|
|         |         |       |
| M6×15mm | Φ4×12mm | 4mm   |

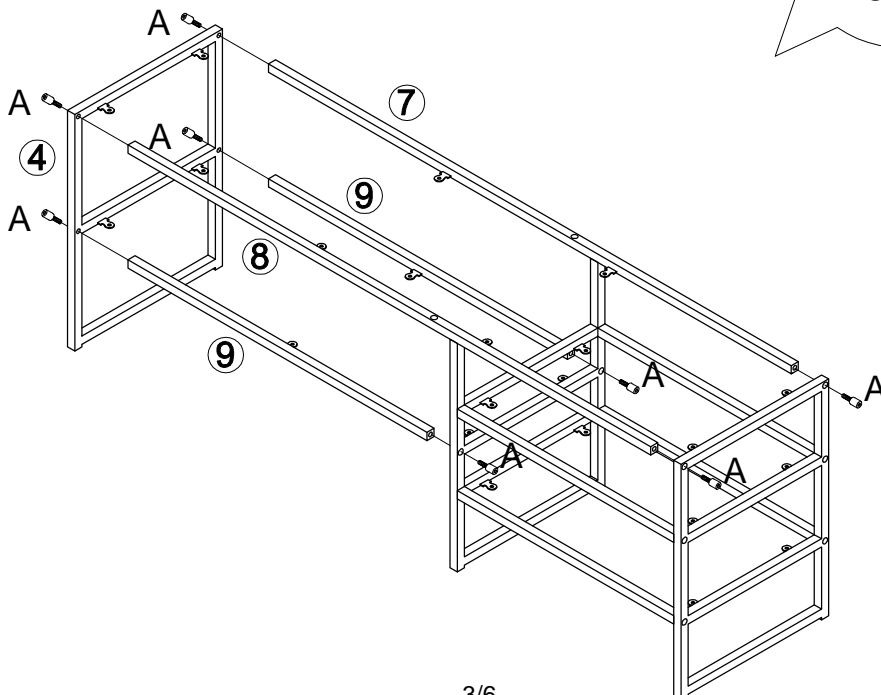
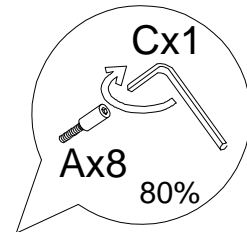
# 1

|   |   |
|---|---|
| A x 8   | C x 1   |
|  |  |
| M6x15mm   | 4mm   |


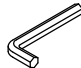


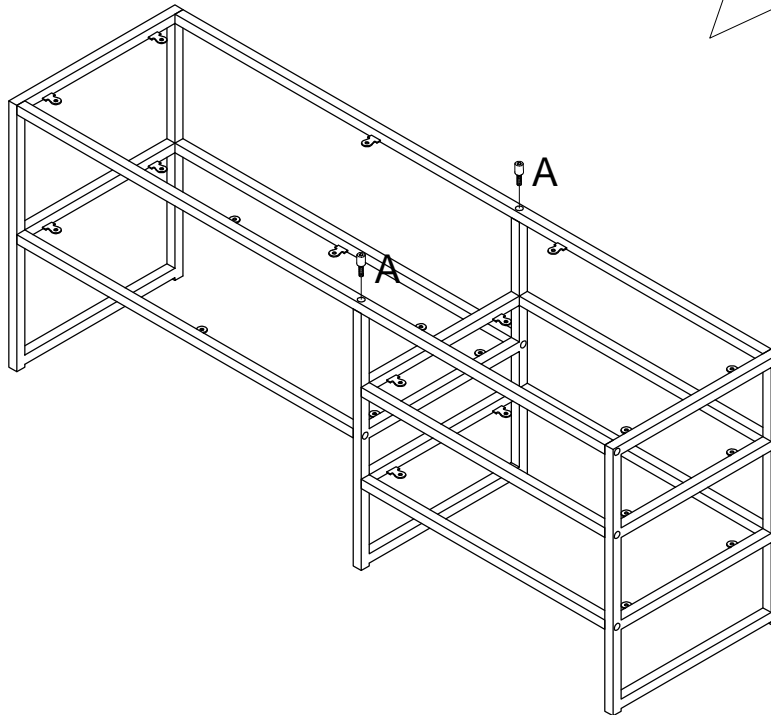
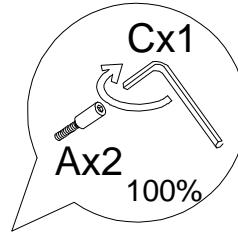
# 2

|   |   |
|---|---|
| A x 8   | C x 1   |
|  |  |
| M6x15mm   | 4mm   |




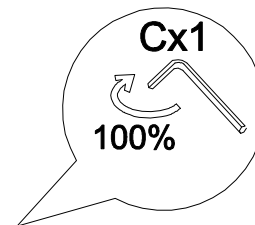
# 3

|   |   |
|---|---|
| A x 2   | C x 1   |
|  |  |
| M6x15mm   | 4mm   |

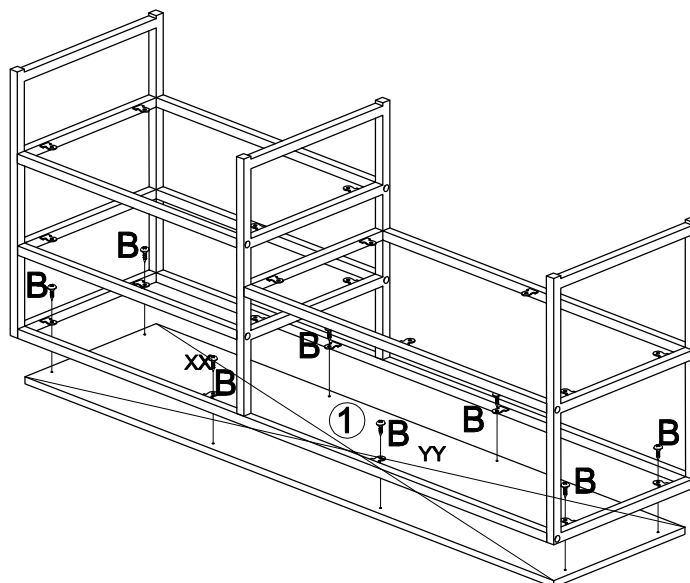
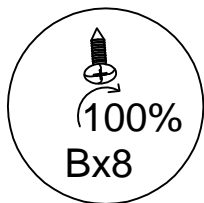


# 4

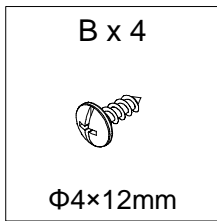
|   |
|---|
| B x 8   |
|  |
| Φ4x12mm   |



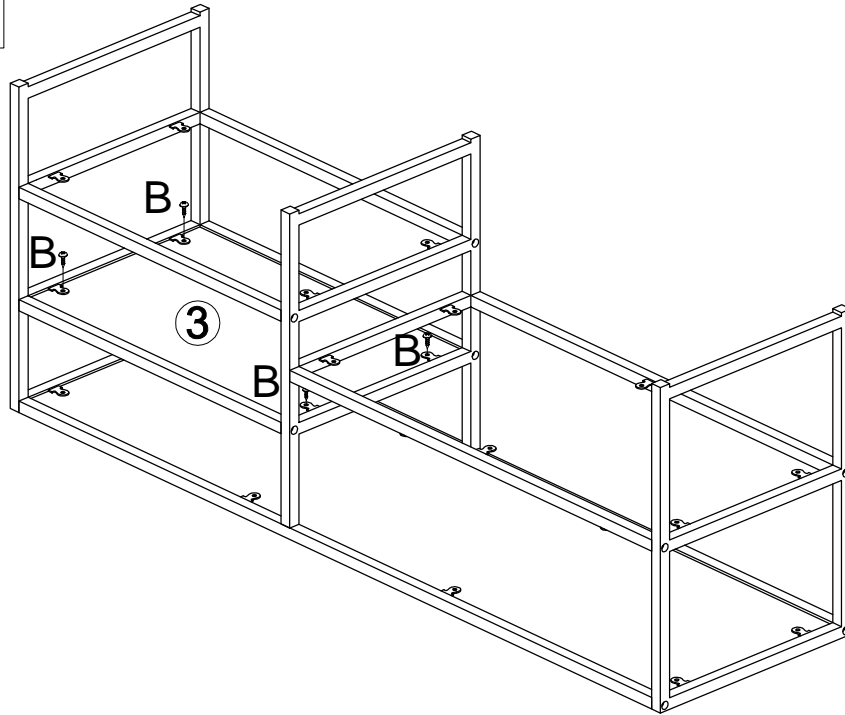
! XX=YY



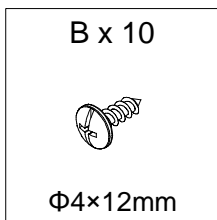
# 5



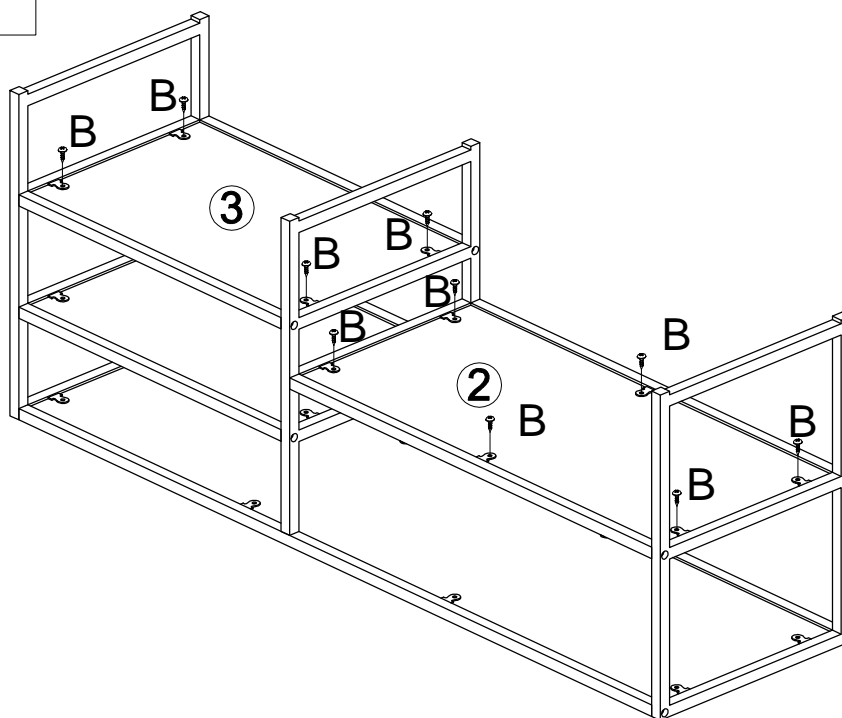
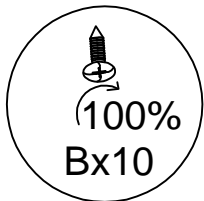
! XX=YY



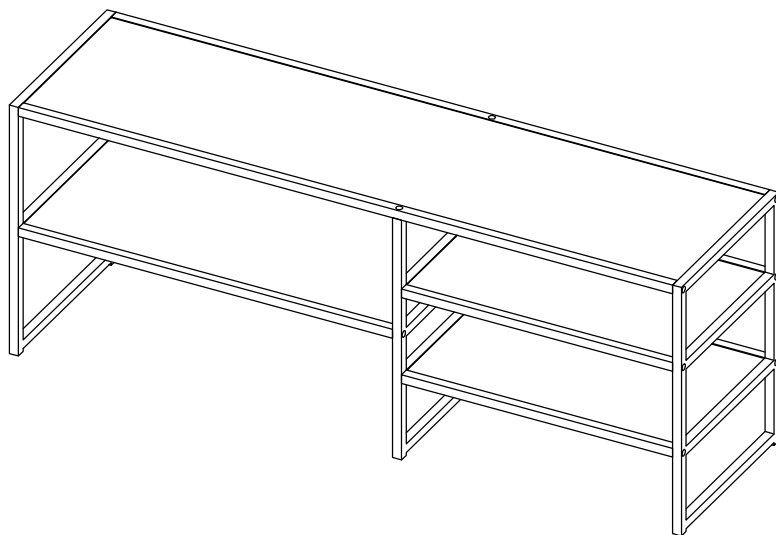
# 6



! XX=YY



7



8

