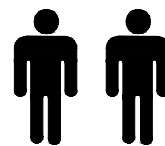
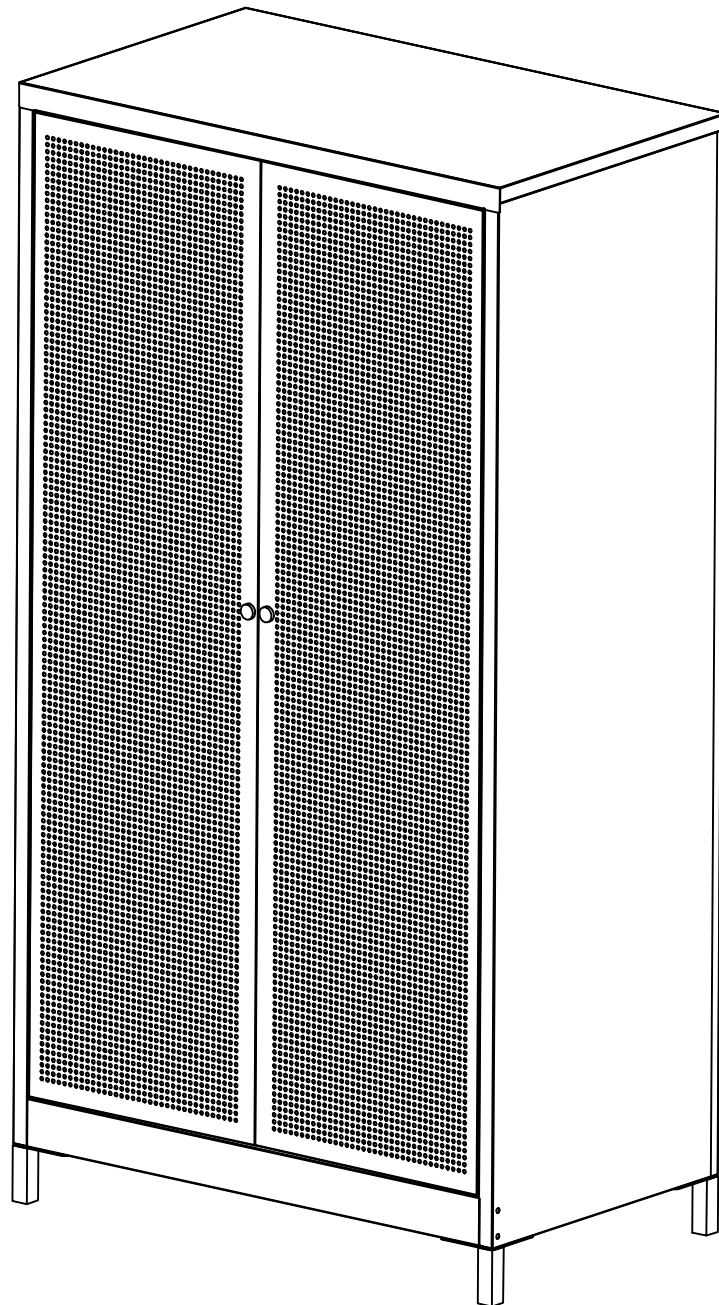
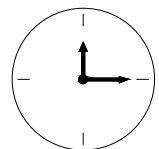


# Jotex

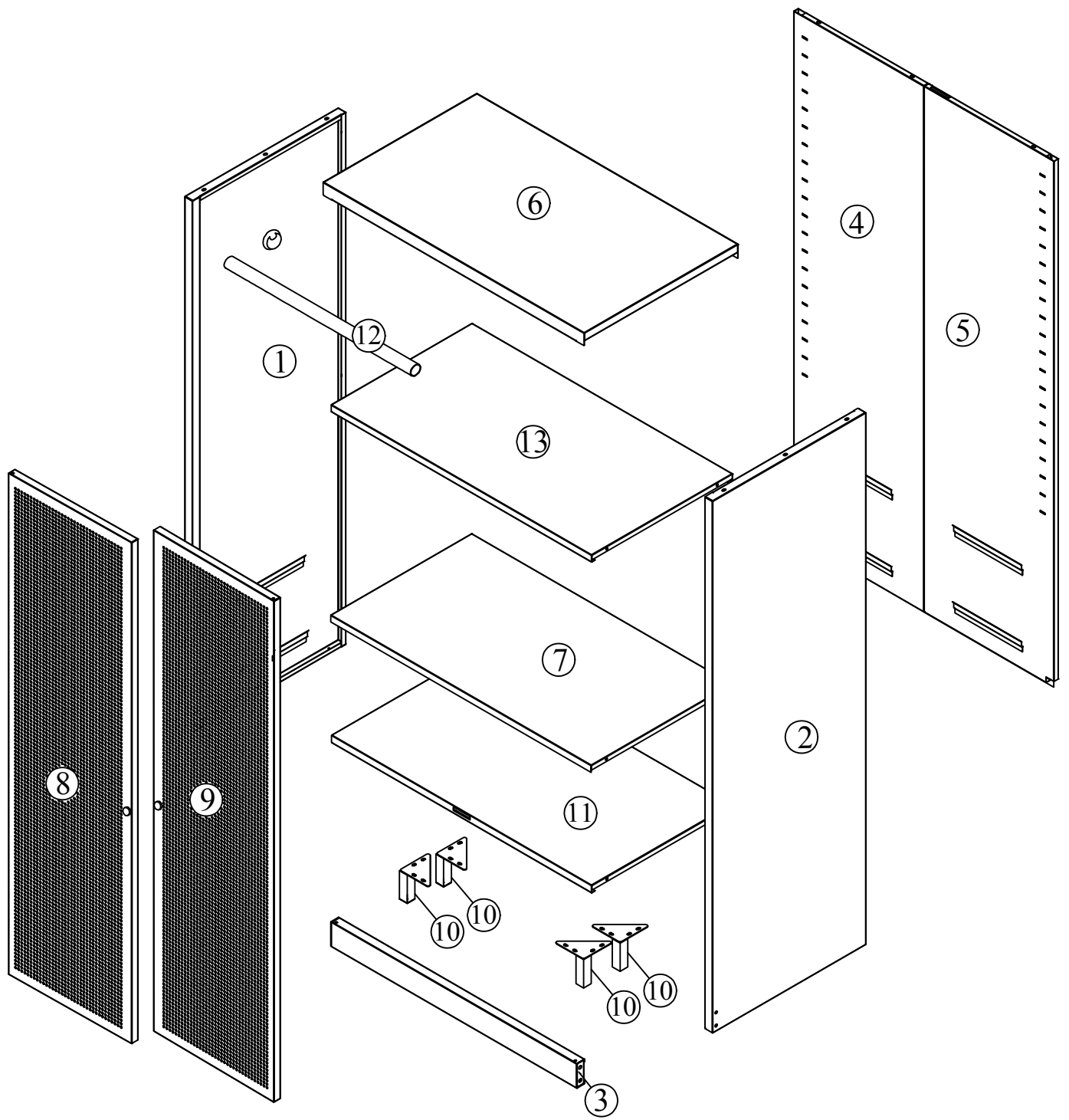
1631860-01-0

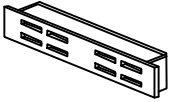




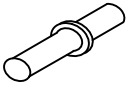





2 PERS.

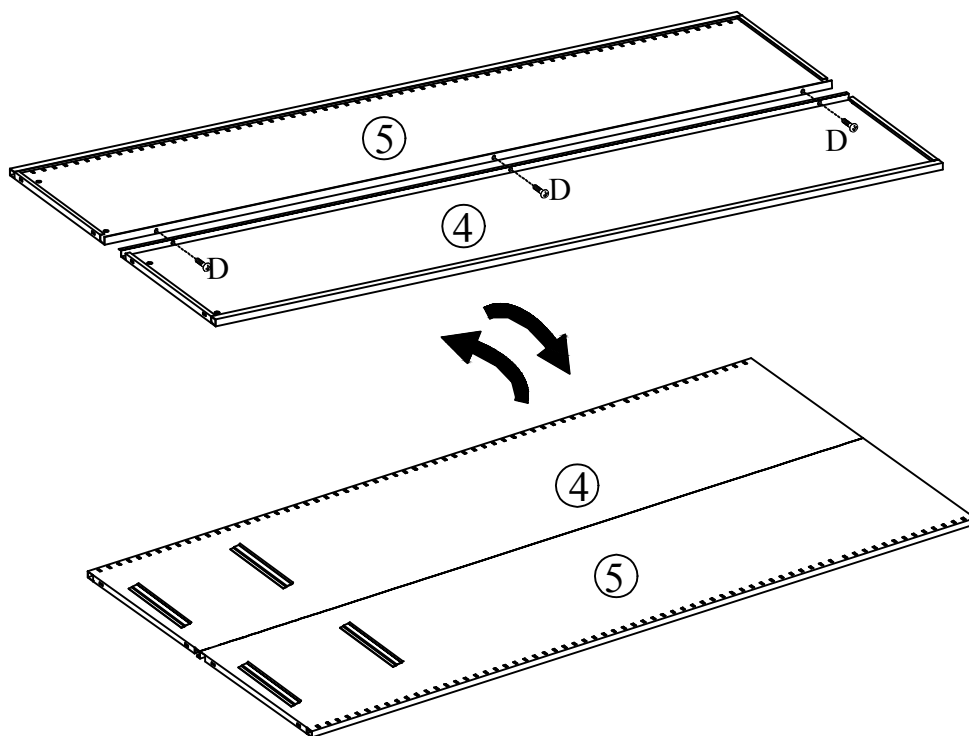


60MIN



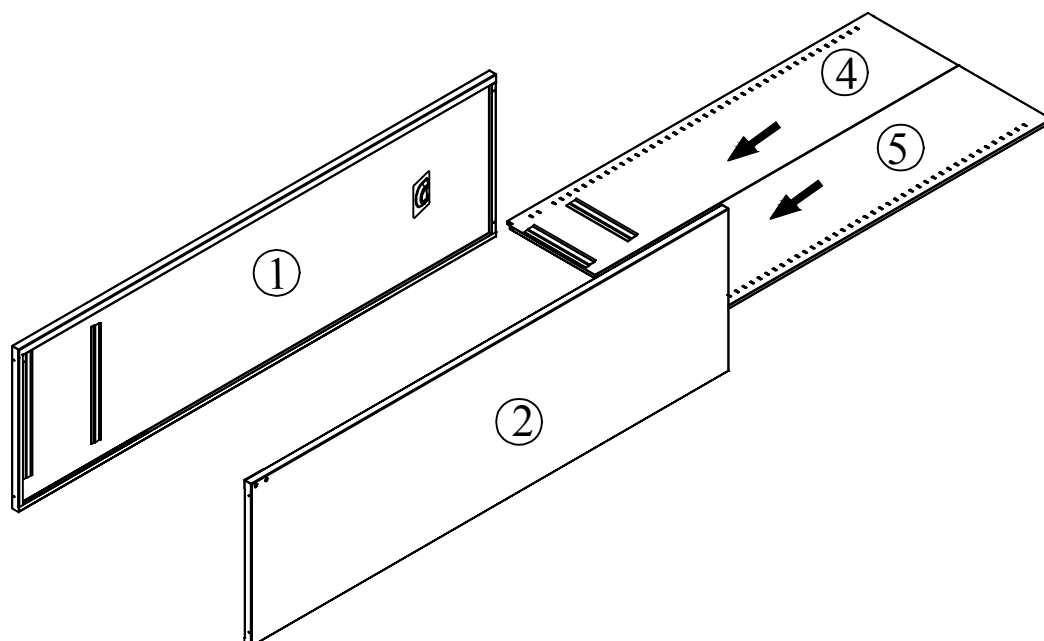
	AX2	 M5*12mm	BX32		CX4
 M5*12mm	DX3	 M6*40mm	EX4		FX2
 M6	GX2		HX2	 M4x5	Ix2

1

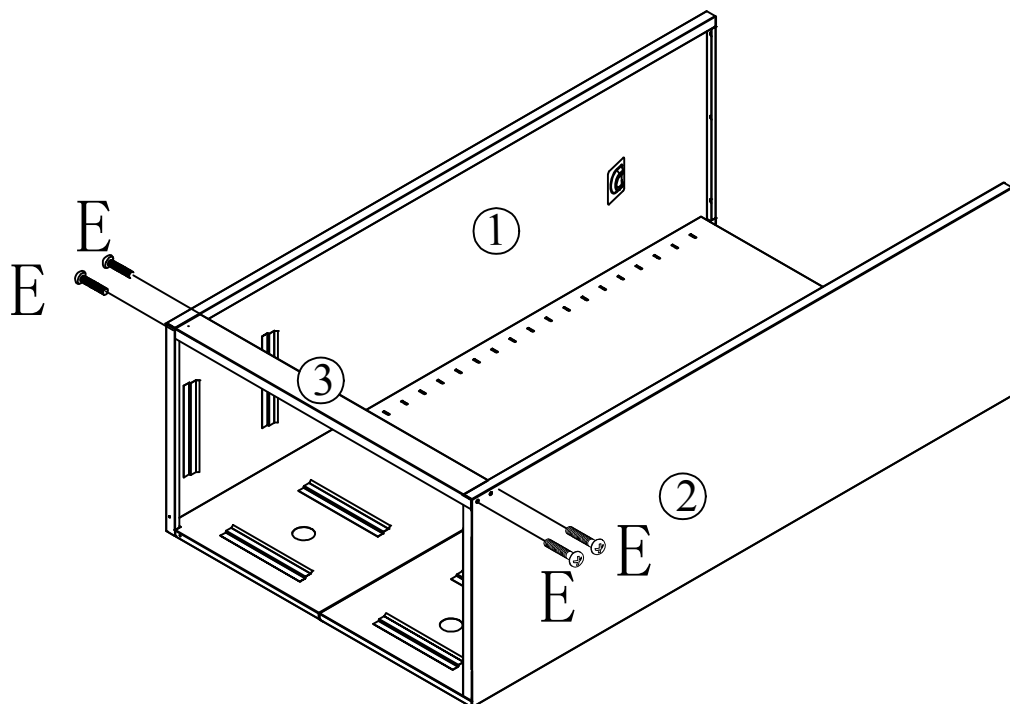


⊕   
DX3

2

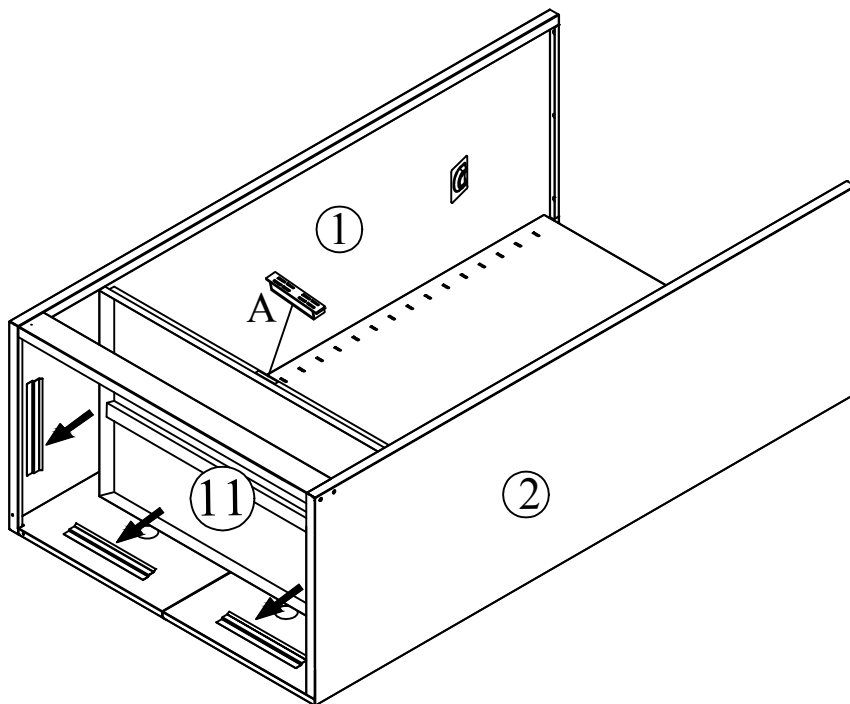


3



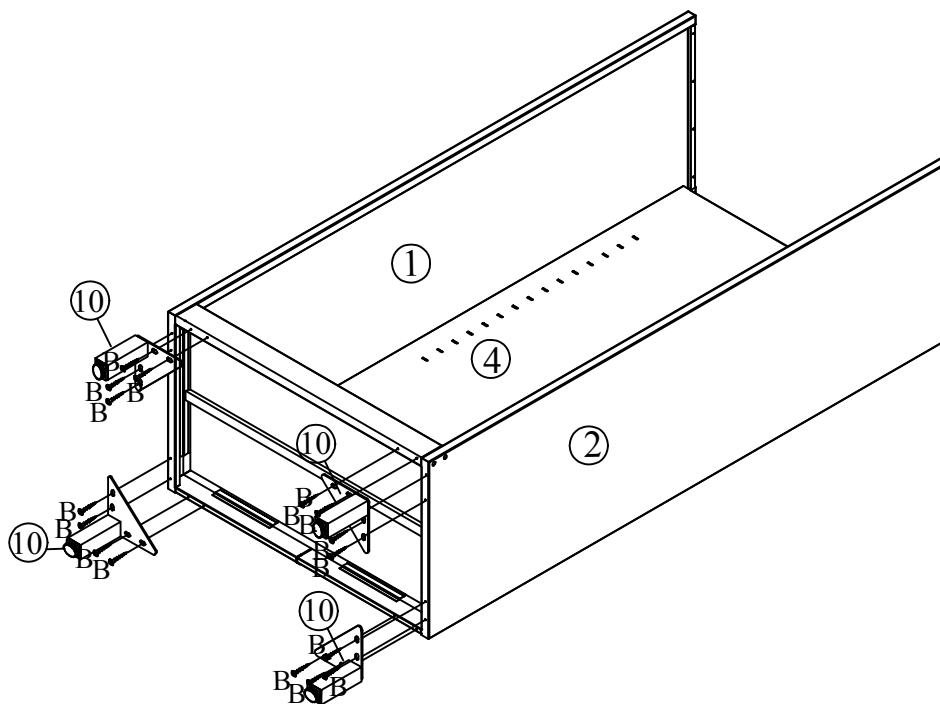
⊕   
E x 4

4



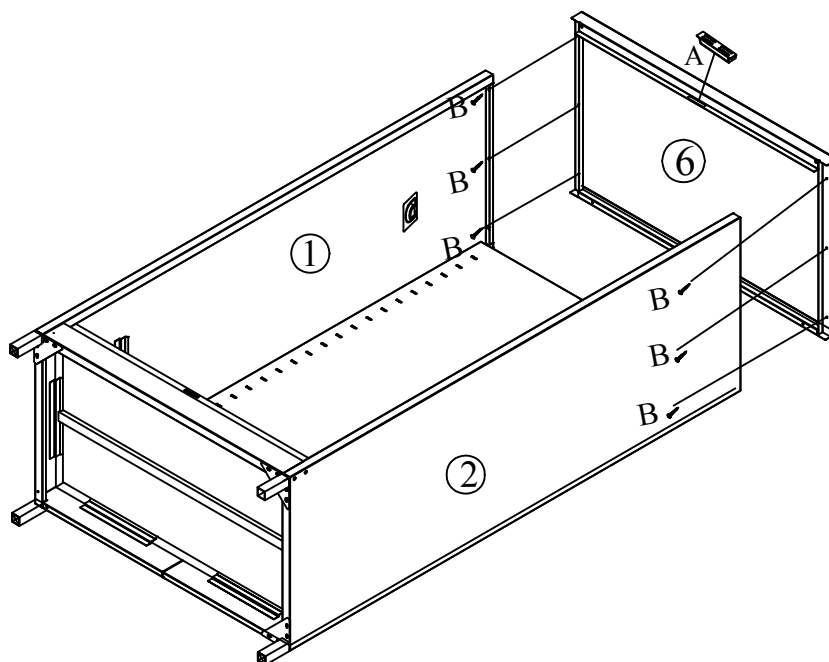
  
A x 1

5



B x 16

6

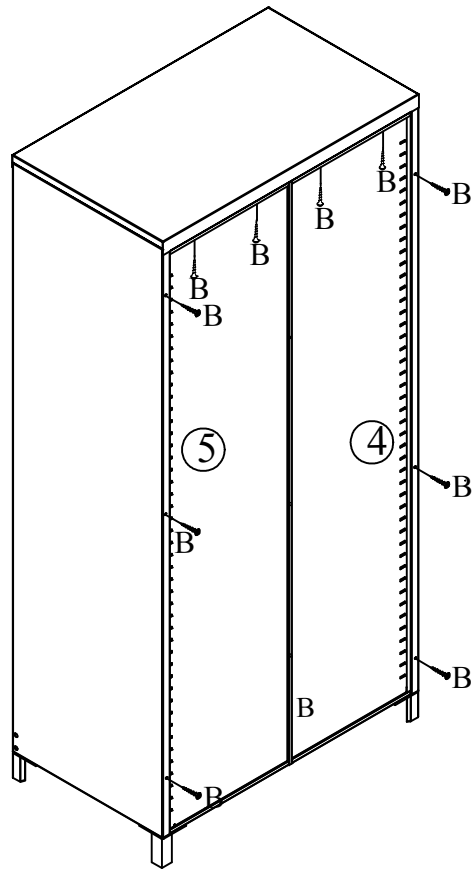


A x 1



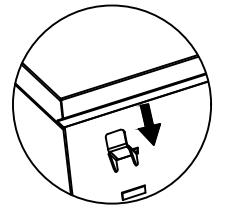
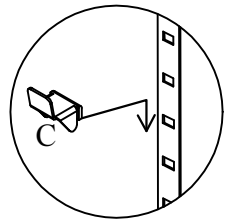
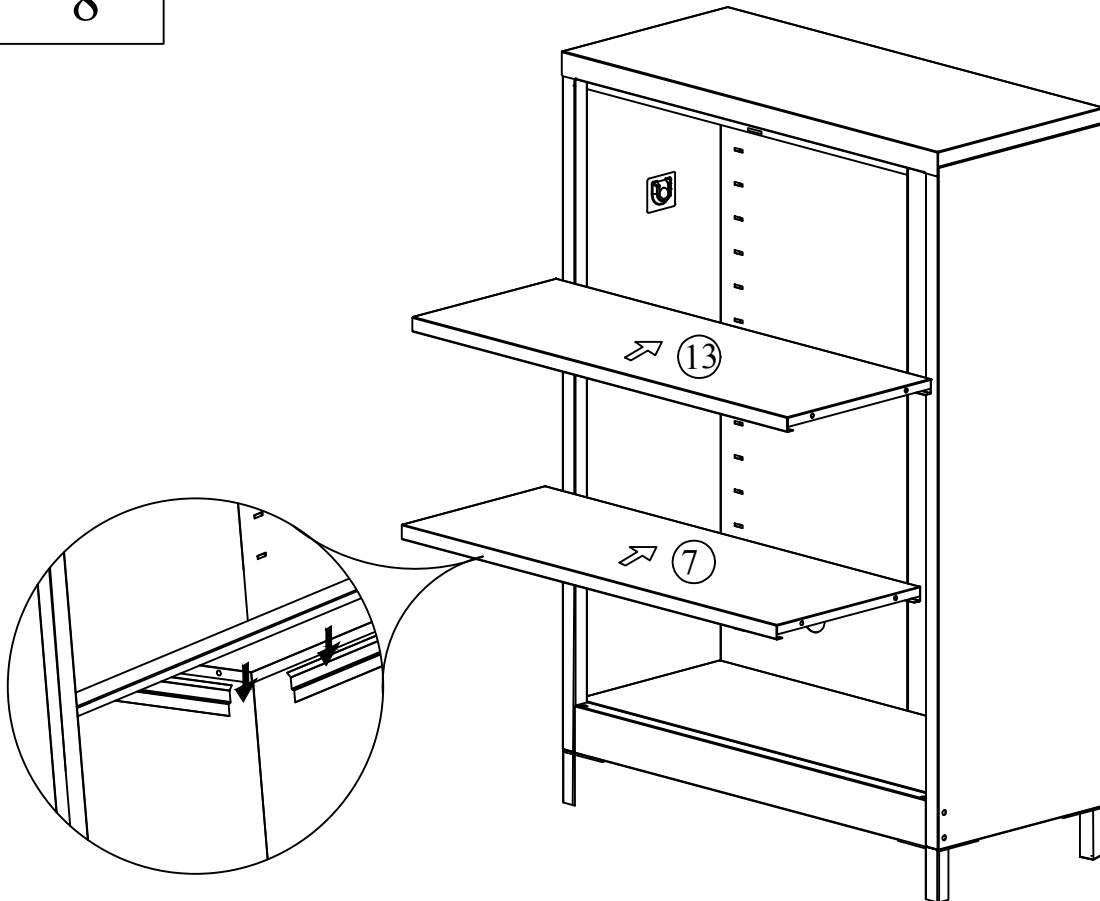
B x 6

7



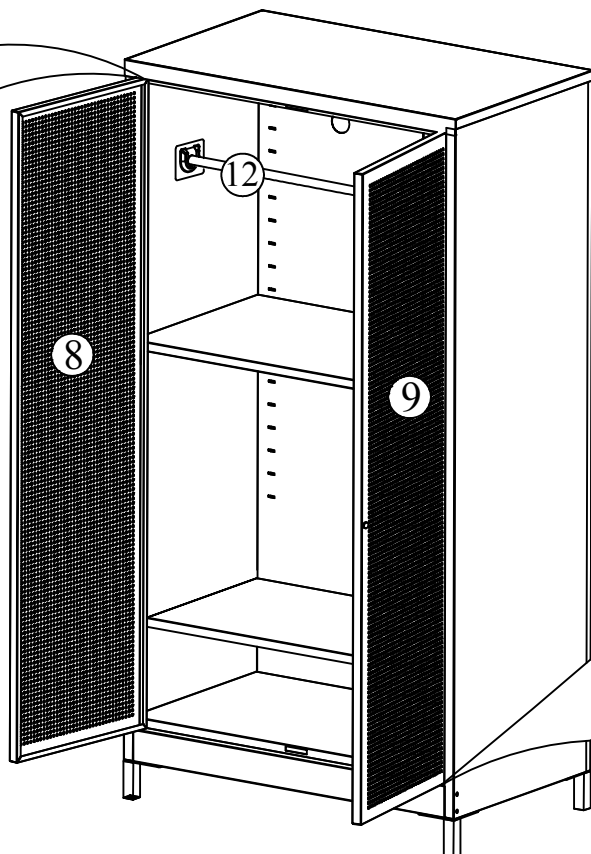
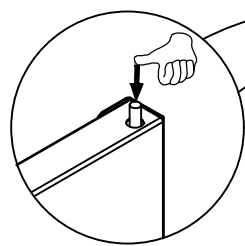
B x 10

8



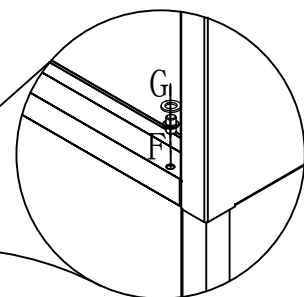
C x 4





9



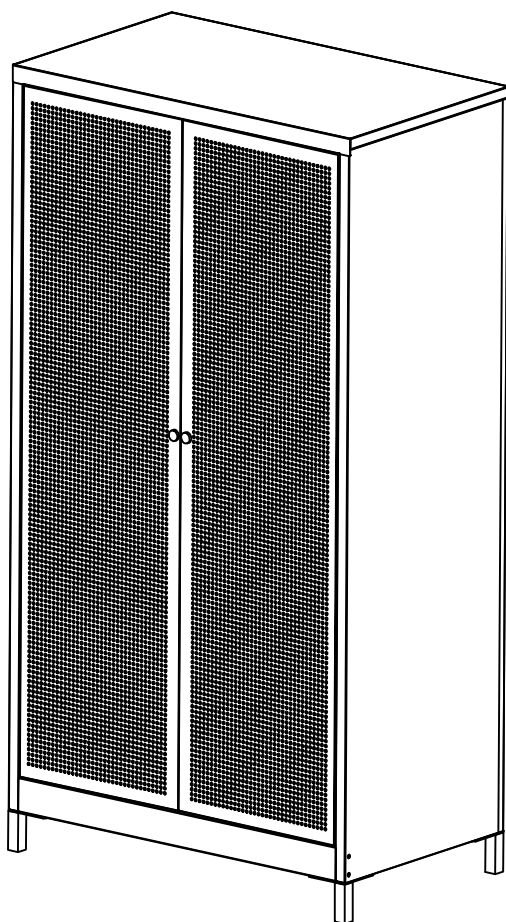
8

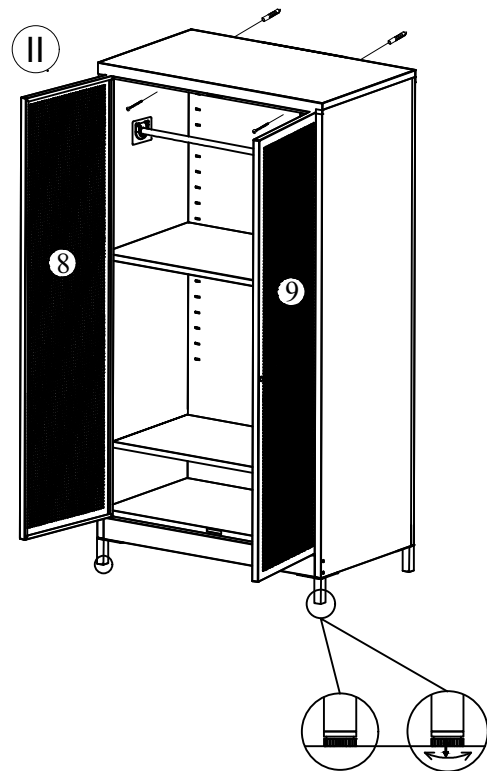
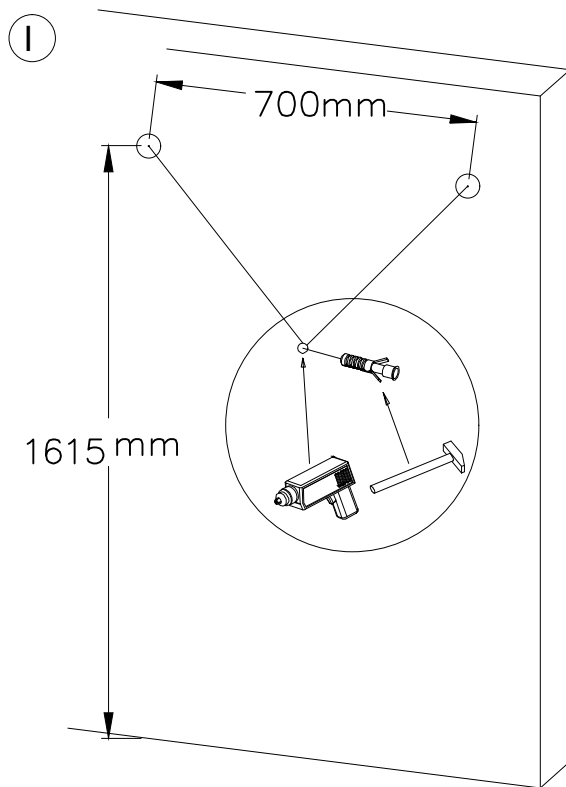
9



-  HX2
-  1x2
-  FX2
-  GX2

10





Due to the wide diversity of wall or partition types, we cannot provide you with suitable attachment fixtures. To determine which attachment fixtures to use, you will need to identify the type of wall to which you will be fixing this product. Here are some examples of attachment fixtures recommended for :



BLIND WALLS		STUDDED WALLS		
<p>"FISCHER" Nylon plug</p>	<p>Metal Wall plug</p>	<p>Nylon winged Wall plug</p>	<p>Metal expansion plug</p>	<p>"MOLLY" plug</p>



Use a drill bit that is compatible in size with the hardware used and the type of wall