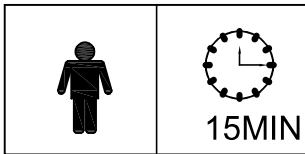
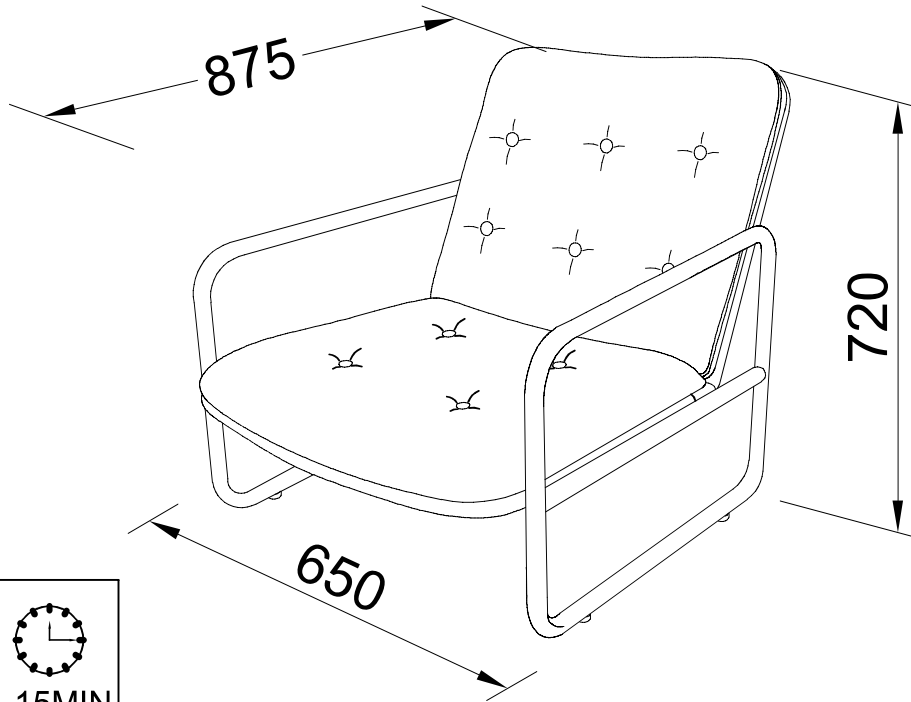
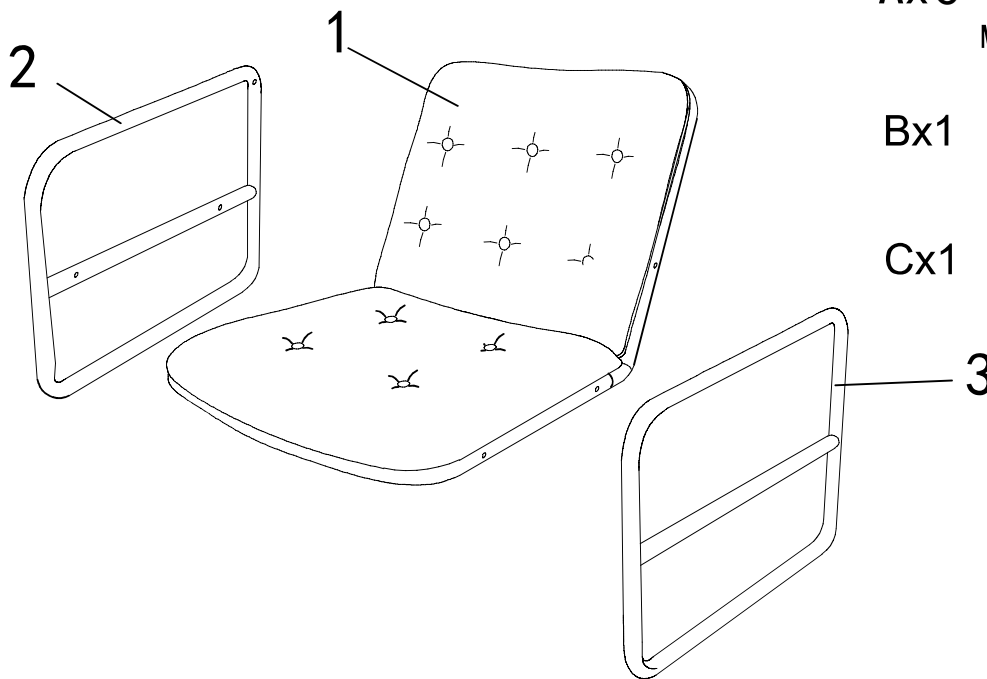




## Assembly Instruction

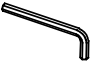


1



Ax6    
M8x30mm

Bx1  S5

Cx1  S4

2

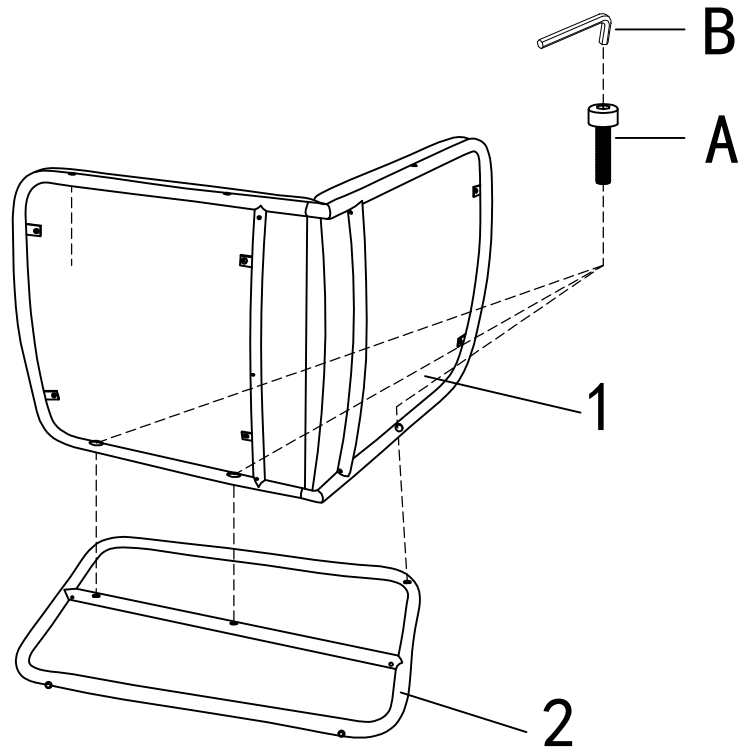
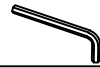
Ax6



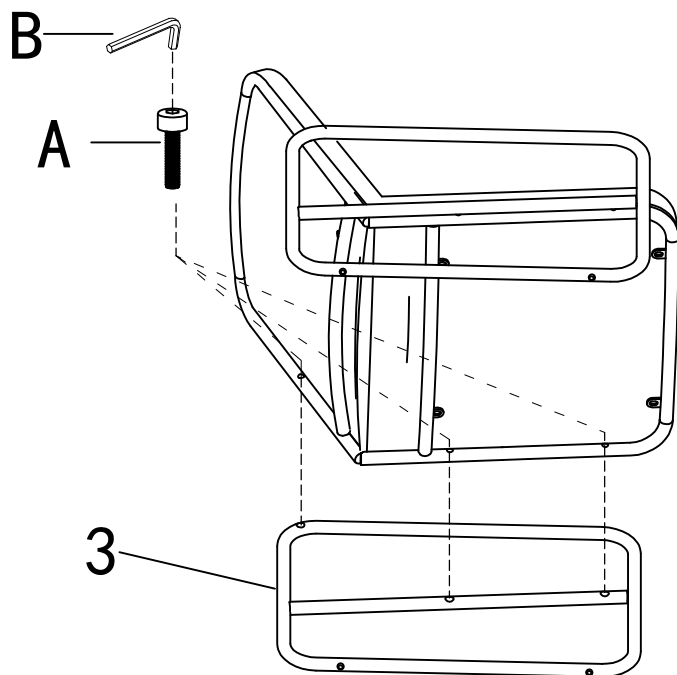
Bx1



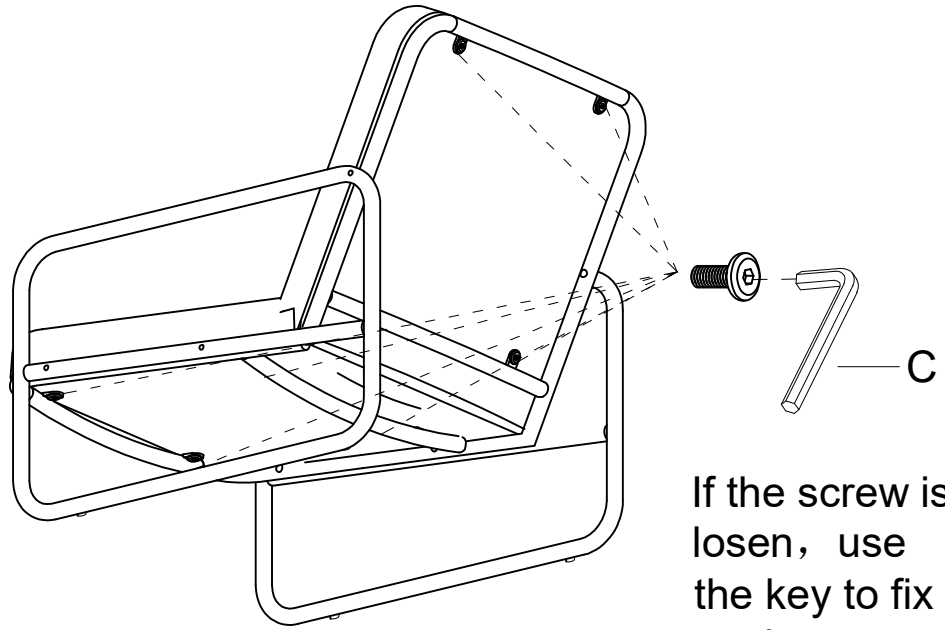
Cx1



3



4



If the screw is  
loosen, use  
the key to fix it  
again

5

