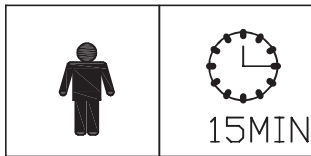
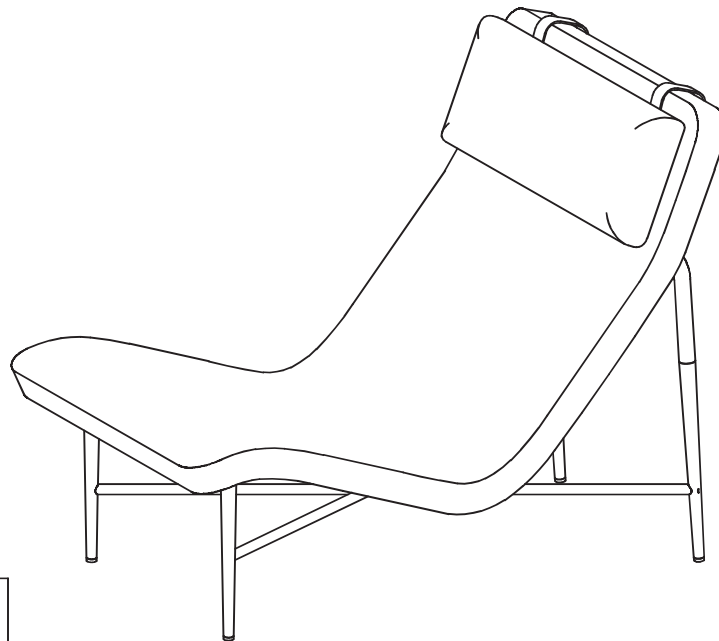
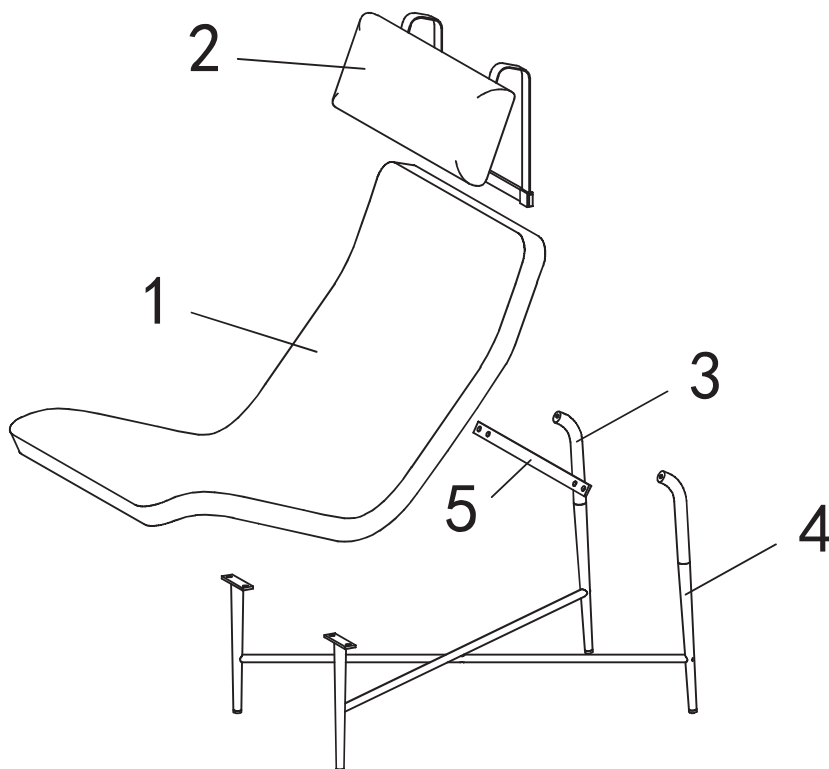






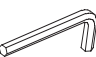
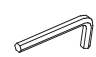


Assembly Instruction



1



- Ax 6  
M8X14
- Bx1  
M6X25
- Cx2  
M8X 16
- Dx1  S5
- Ex1  S4

2

Ax6



Bx1



Cx2



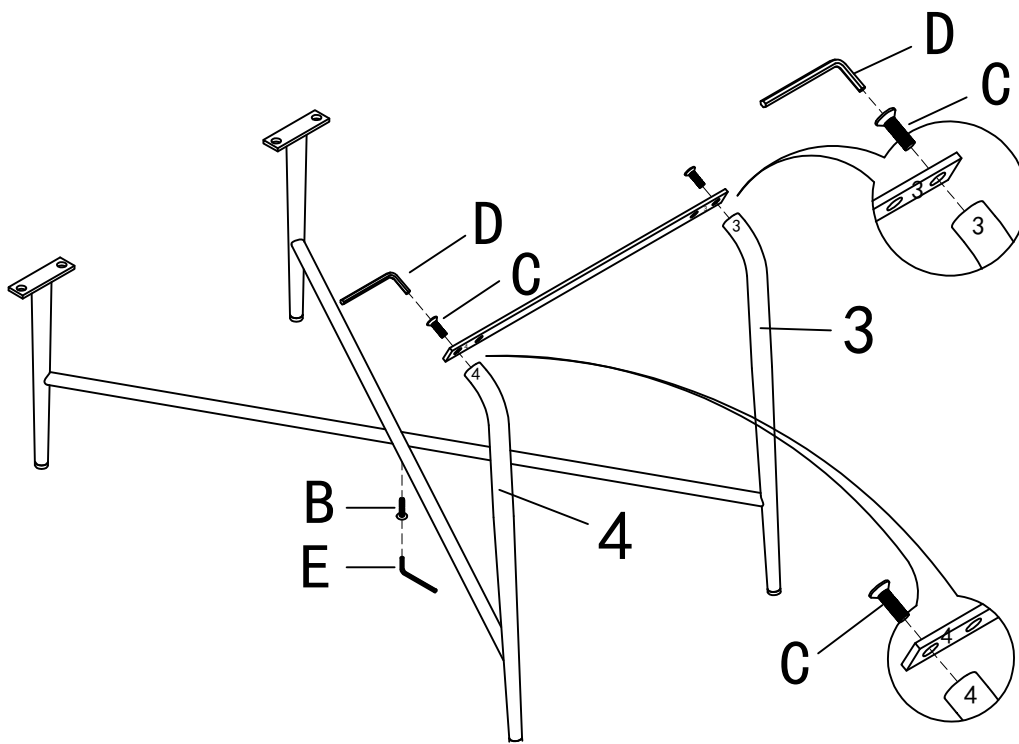
Dx1

S5

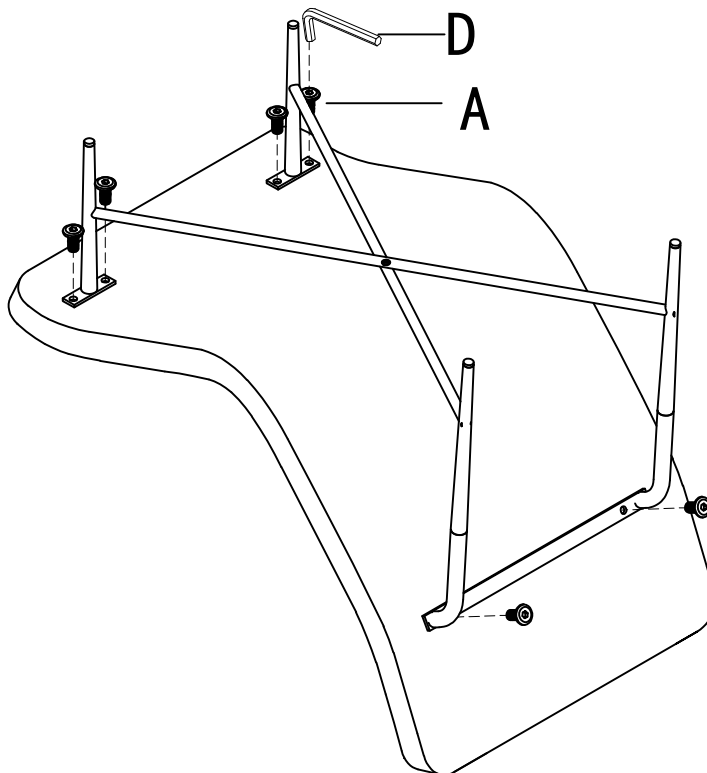
Ex1



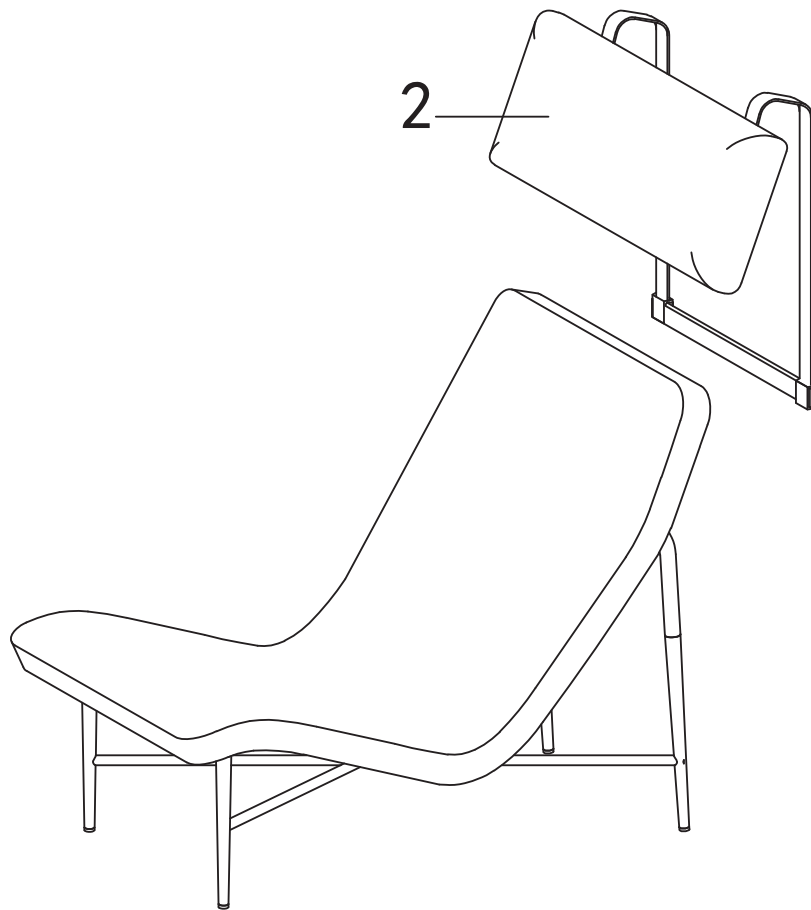
S4



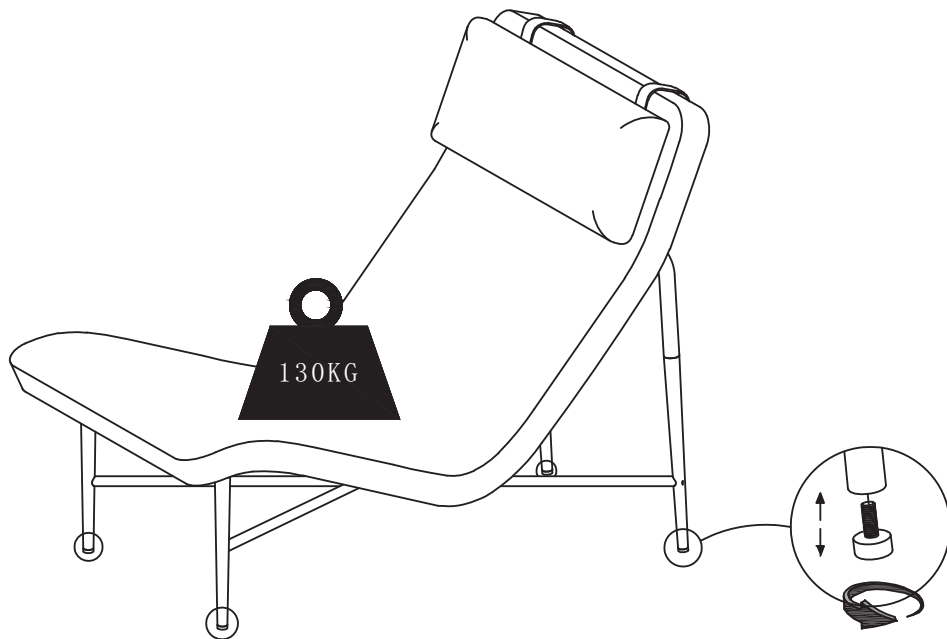
3



4



5



Adjust the leg to the same level.