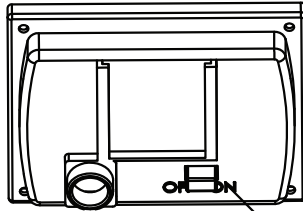


Art.no 481-07

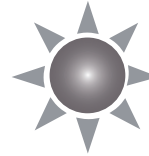
FIRST USE


STEP 1.



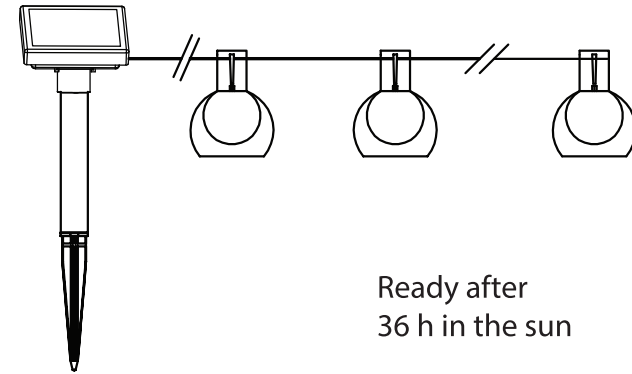
( ON)

STEP 2.



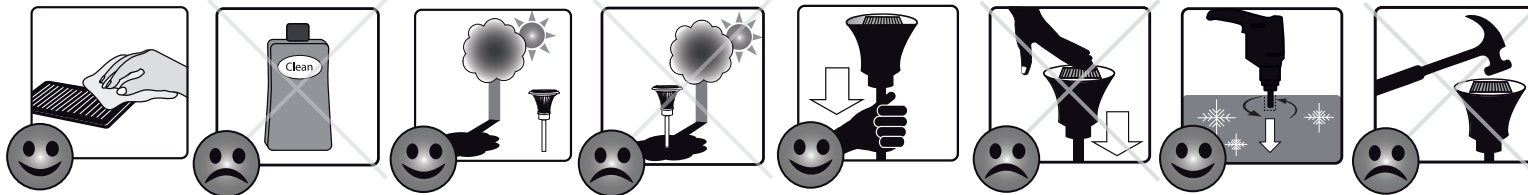
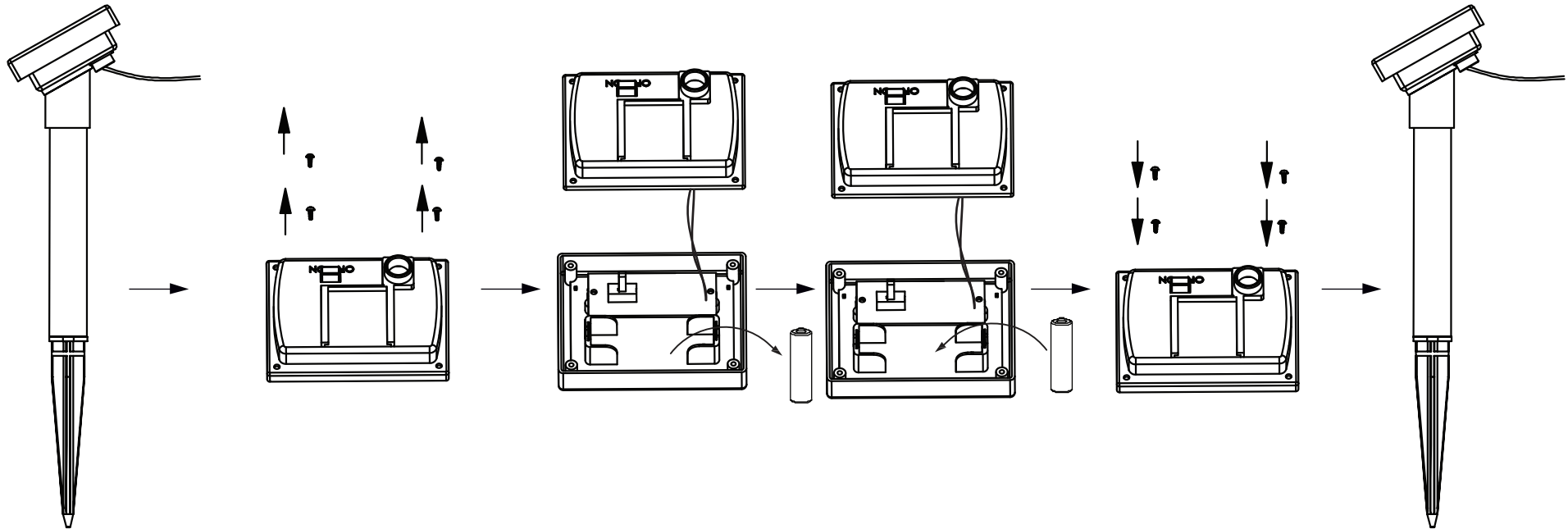
(ON )

(OFF )



Ready after
36 h in the sun

BATTERY REPLACEMENT



STAR[®]
TRADING
STAR STREET 1
512 50 SVENLJUNGA
SWEDEN
www.startrading.com