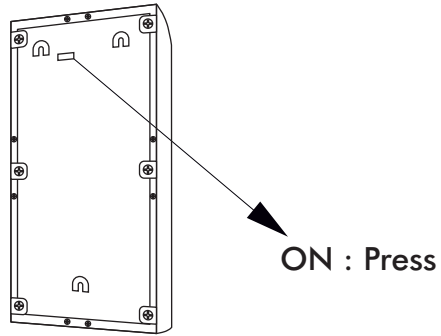


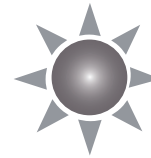
Art.no 481-74

FIRST USE

STEP 1.



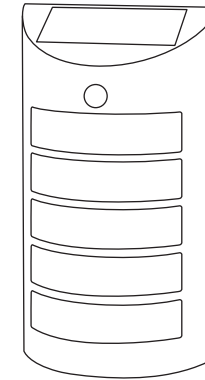
STEP 2.



ON : Press

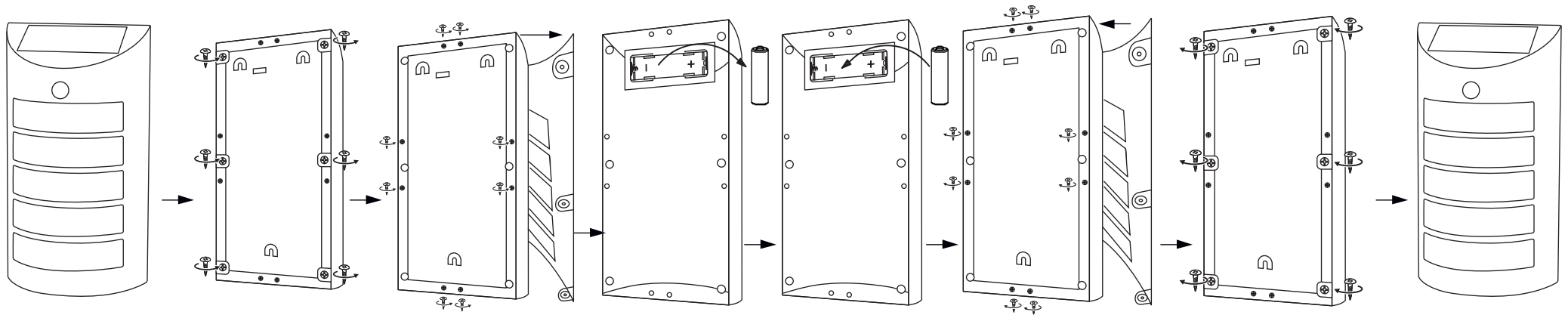


OFF : Press+1

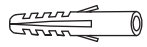


Ready after  
36 h in the sun

BATTERY REPLACEMENT



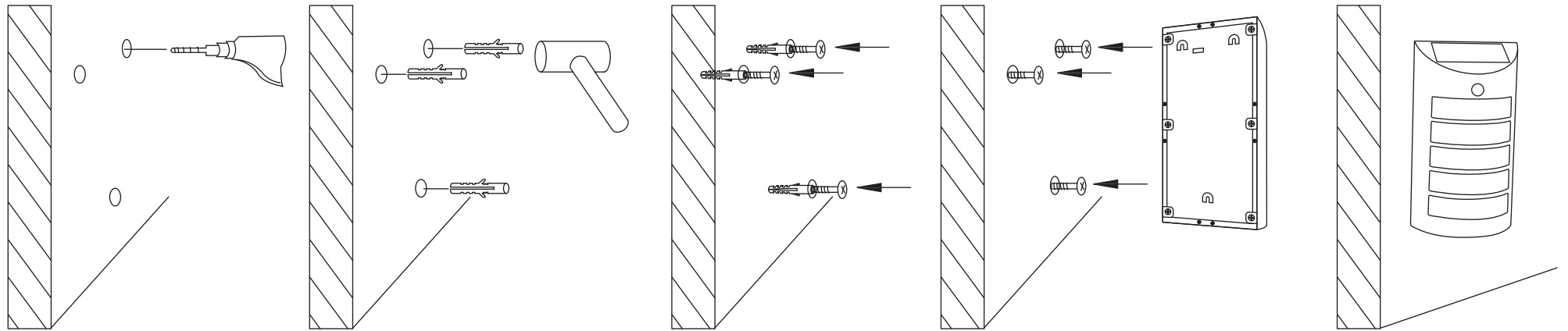
**STAR**<sup>®</sup>  
TRADING  
STAR STREET 1  
512 50 SVENLJUNGA  
SWEDEN  
[www.startrading.com](http://www.startrading.com)



x 3



x 3



# 8 LUMEN CONSTANT LIGHT

MOTION SENSOR 50 LUMEN FOR 30 SEK

