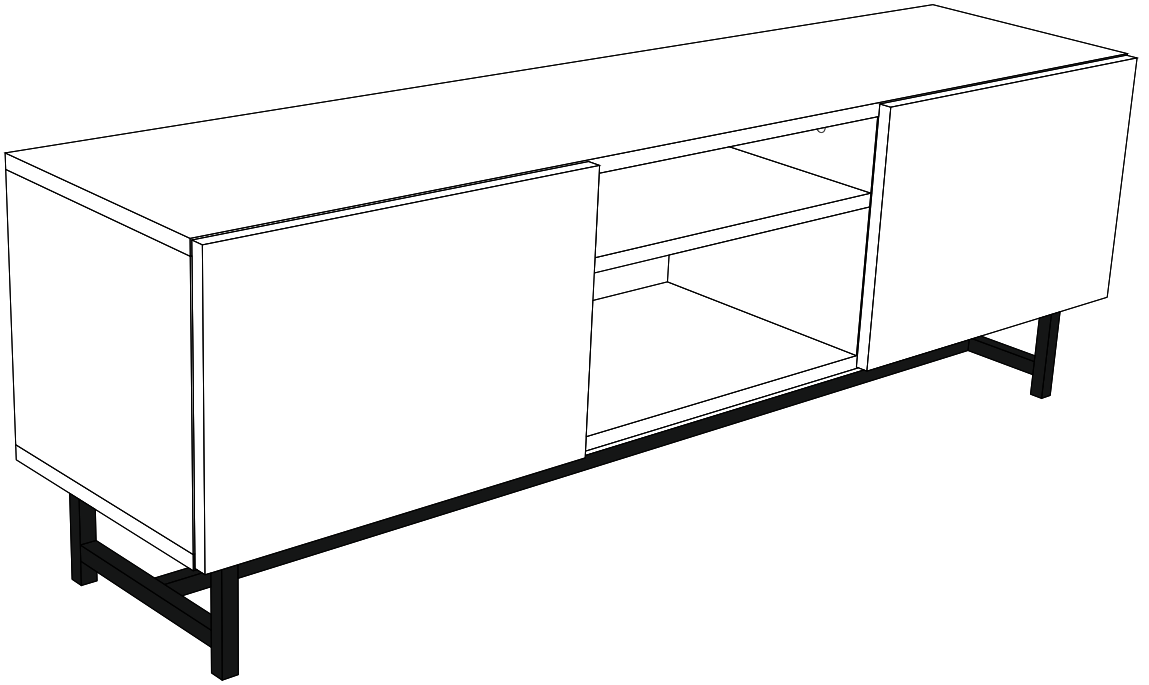
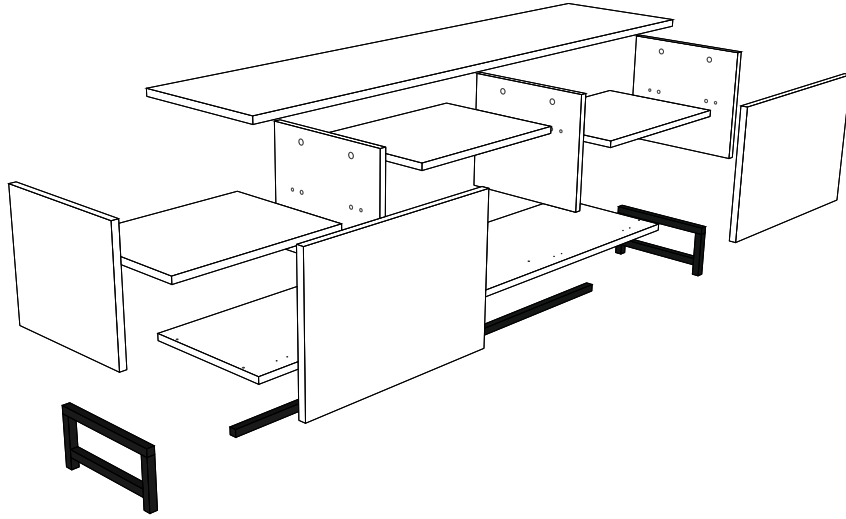


TUGİ TV ÜNİTESİ





Bu modül iki kişi tarafından kurulmalıdır.
This unit should be assembled by two persons.

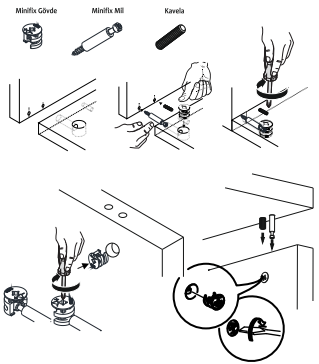


Bu modülün kurulumu için gerekli olan araçlar.
The necessary tools (not included)

DİKKAT !! / ATTENTION !!

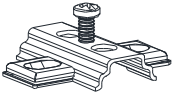
Minifix Puzzle Design Ürünlerinde kullanılan ana bağlantı malzemesidir.
Montajı başlamadan önce lütfen aşağıdaki çizimleri kontrol ederek,
anlamaya çalışın...

Minifix is the main connection material used in dekortar products.
Before starting assembly, please check the drawings below...



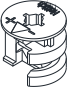


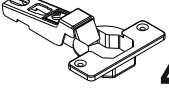


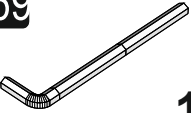
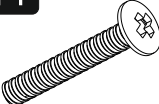

A13

Menteşe Atlığı



4x

ACCESSORY LIST

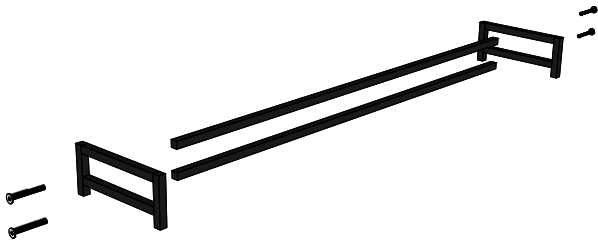
A01	Minifix Gövde	A02	Minifix Mil	A03	Kavela	A11	Deve Boynu Menteşe	A09	4x50 YHB Vida	
						20x	20x	20x	4x	8x
A10	3,5x18 YHB Vida	A69		A14	M4x22 Kulp Vidası	A28	Arkalık Çivisi	A04	Minifix Tapa	
					16x	1x	3x	30x	20x	

Dear Customer,

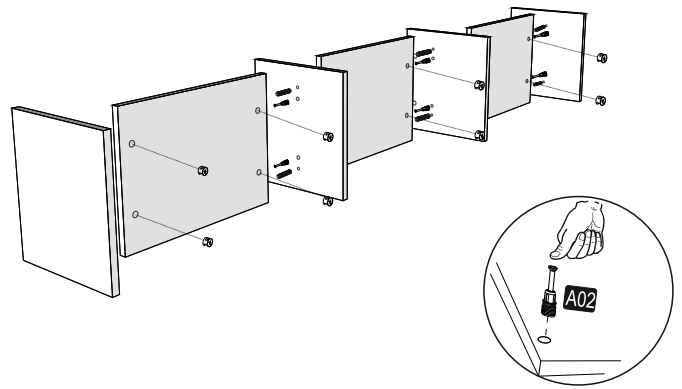
The product you bought was subjected to all sorts of tests and control before sending out to you. Even in this situation, sometimes happen that some component is damaged during the transportation. In such case please do not send the whole article back to us. Just request/order the damaged part. While requesting the required part, describe it exactly by looking to service card. Missing part will be sent to you as soon as possible. Before start assembling, please check the whole components and accessories according to the lists. After being sure that every part and accessory are okay and right, start assembling. Before start assembling, please clean all the components with a damp cloth. If you bought more than one product, to prevent confusion be sure that you completed the first product. Then start the other product's assembling. Never draw the products. While carrying, disassociate and lift the product and carry with minimum 2 people. For long distances carry the product with the package.

It is very easy to clean the surfaces of your product. It is enough to wipe with a damp and soapy cloth or other household cleaners. Do not directly contact your furniture with excessive heat, cold and humidity because the product can be affected.

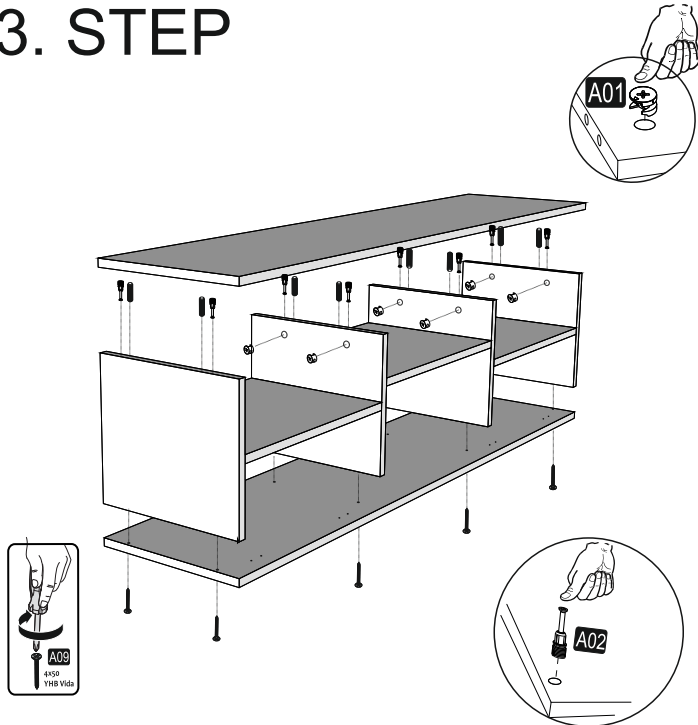
1. STEP



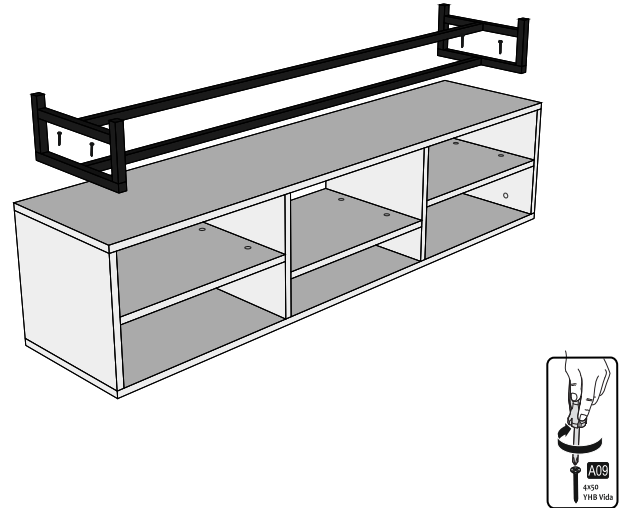
2. STEP



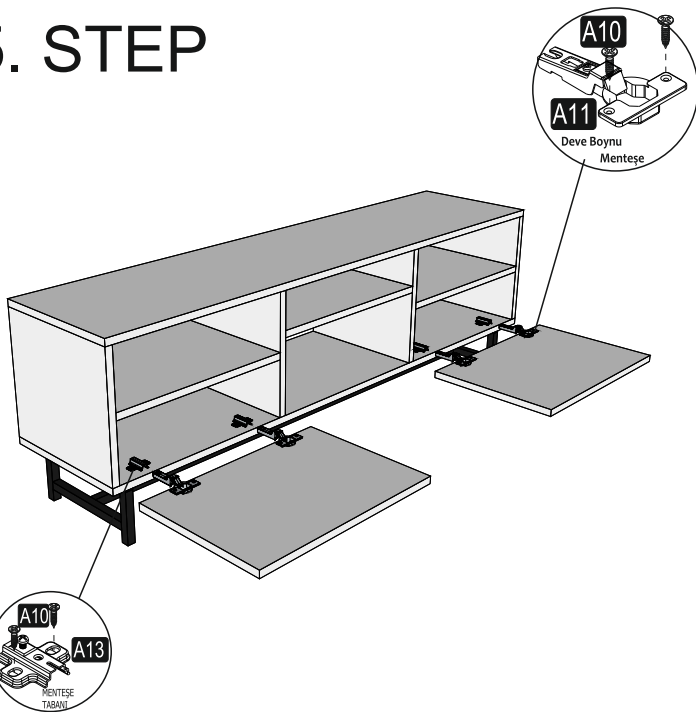
3. STEP



4. STEP



5. STEP



6. STEP

