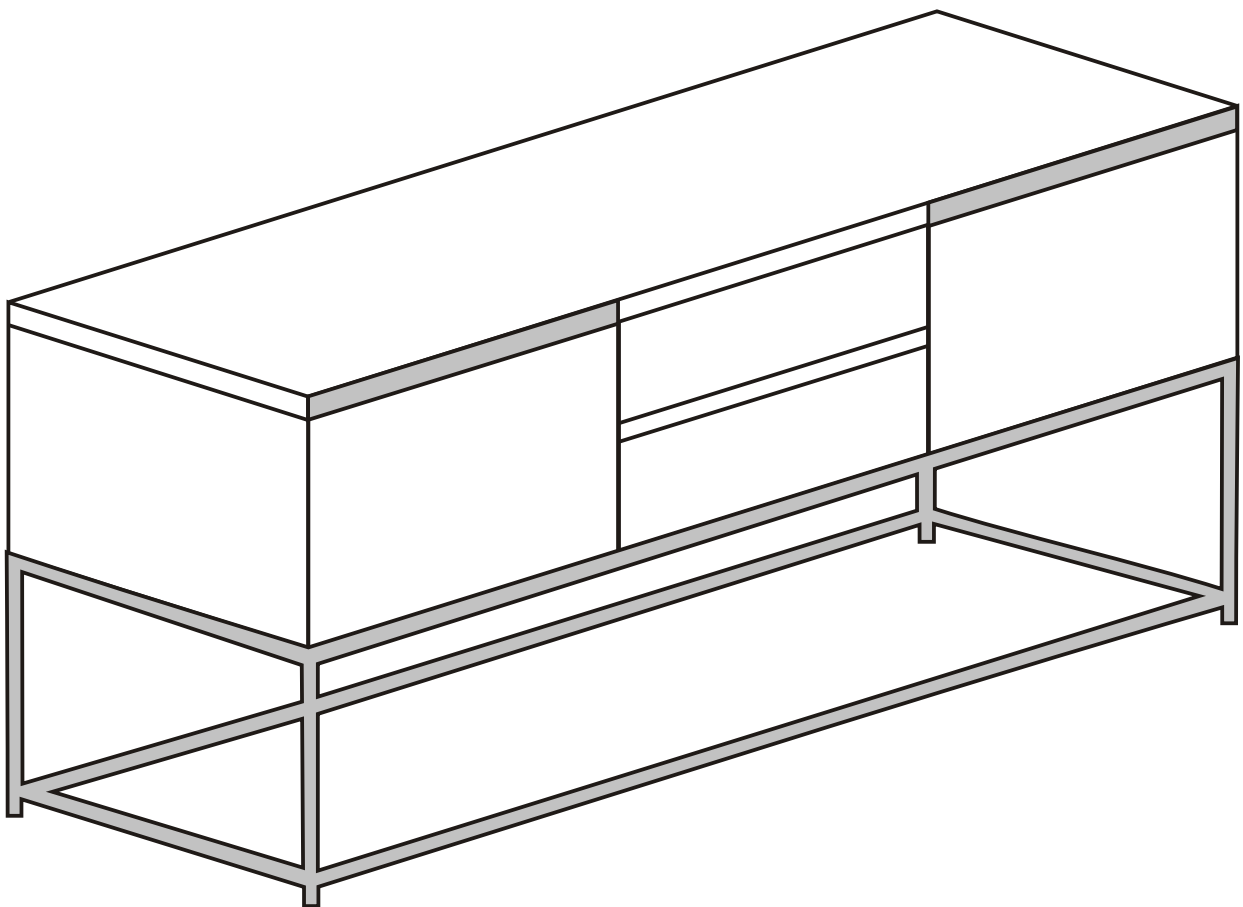


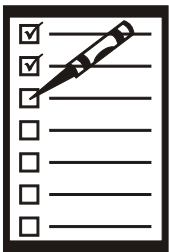
Lexus / Belinda

Assembly Manual



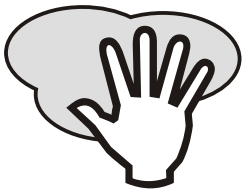
KALUNE DESIGN
furniture

Dear Customer,
We design and produce our products for people to love and have fun with them as we do.
The product you bought was subjected to all sorts of tests and control before sending out to you



Before start assembling,please chesck the whole components and accessories according to the lists.

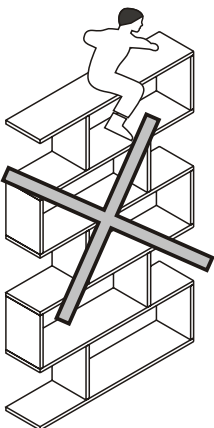
If you bought more than one product,to prevent confusion be sure that you completed the first product. Then start the other product's assembling



Before start assembling,please clean all the compenents with a damp cloth . Also for usual cleaning,this will be enough

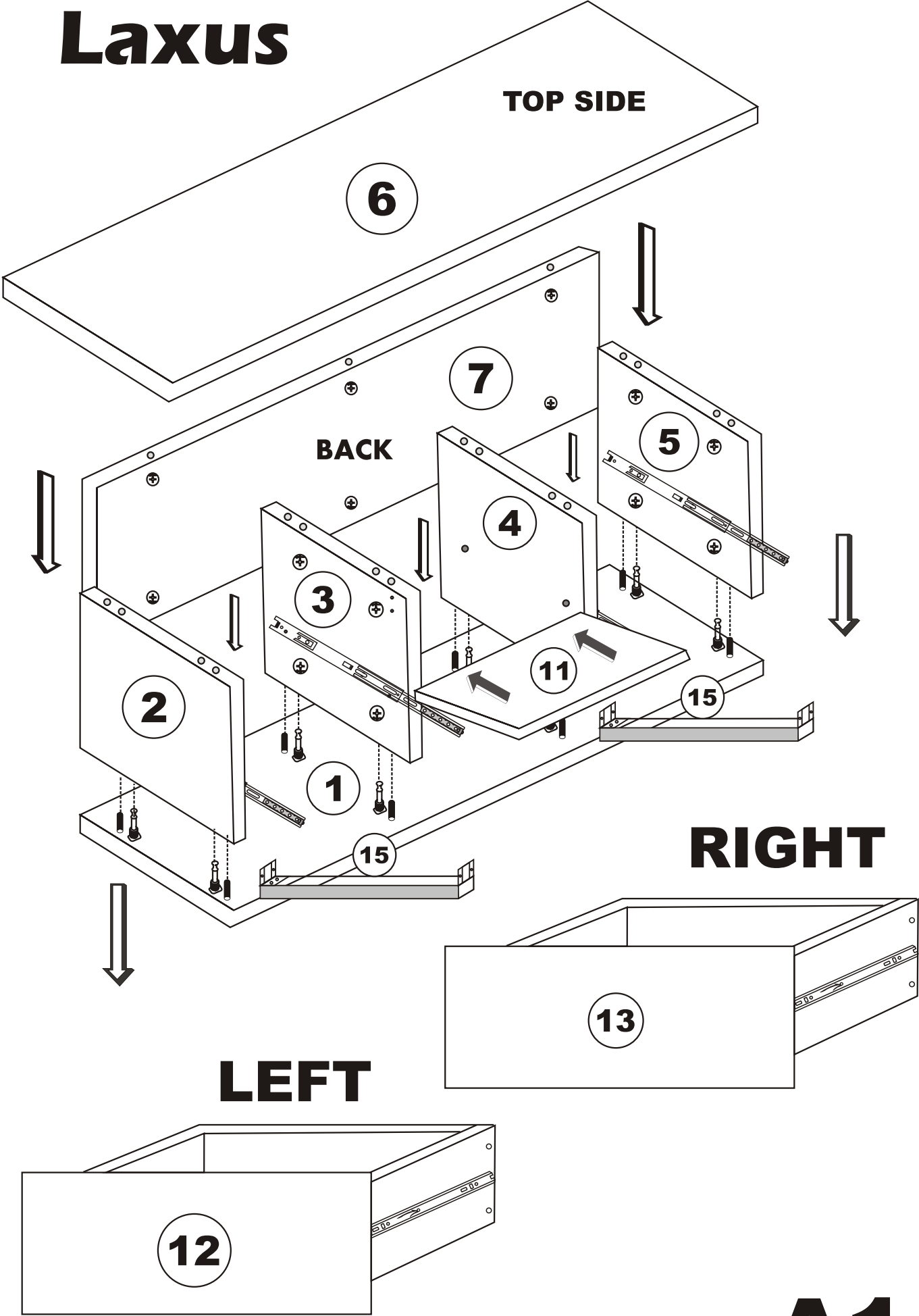


Despite the careful control and packaging of the products,if you encounter a problem during shipping check the necessary parts and contact the dealer from whom you bought the product in case of a problem



Do not use your furniture for out of purposes.Do not directly contact your furniture with excessive heat, cold and humidity because the product can be affected..

Lexus




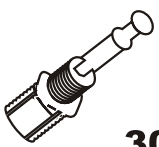






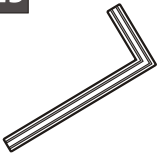
A1

Lexus

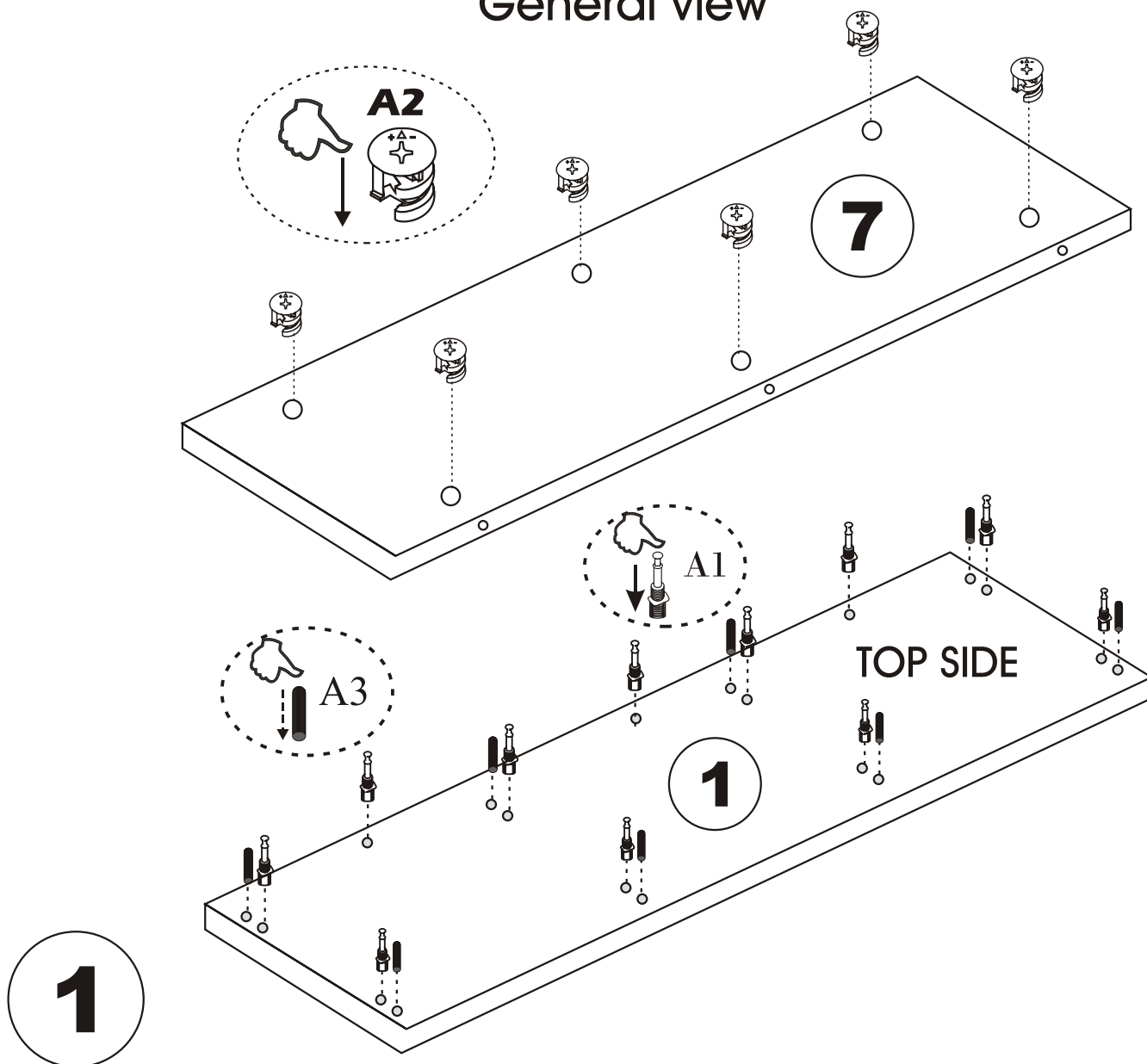
ATTENTION !!

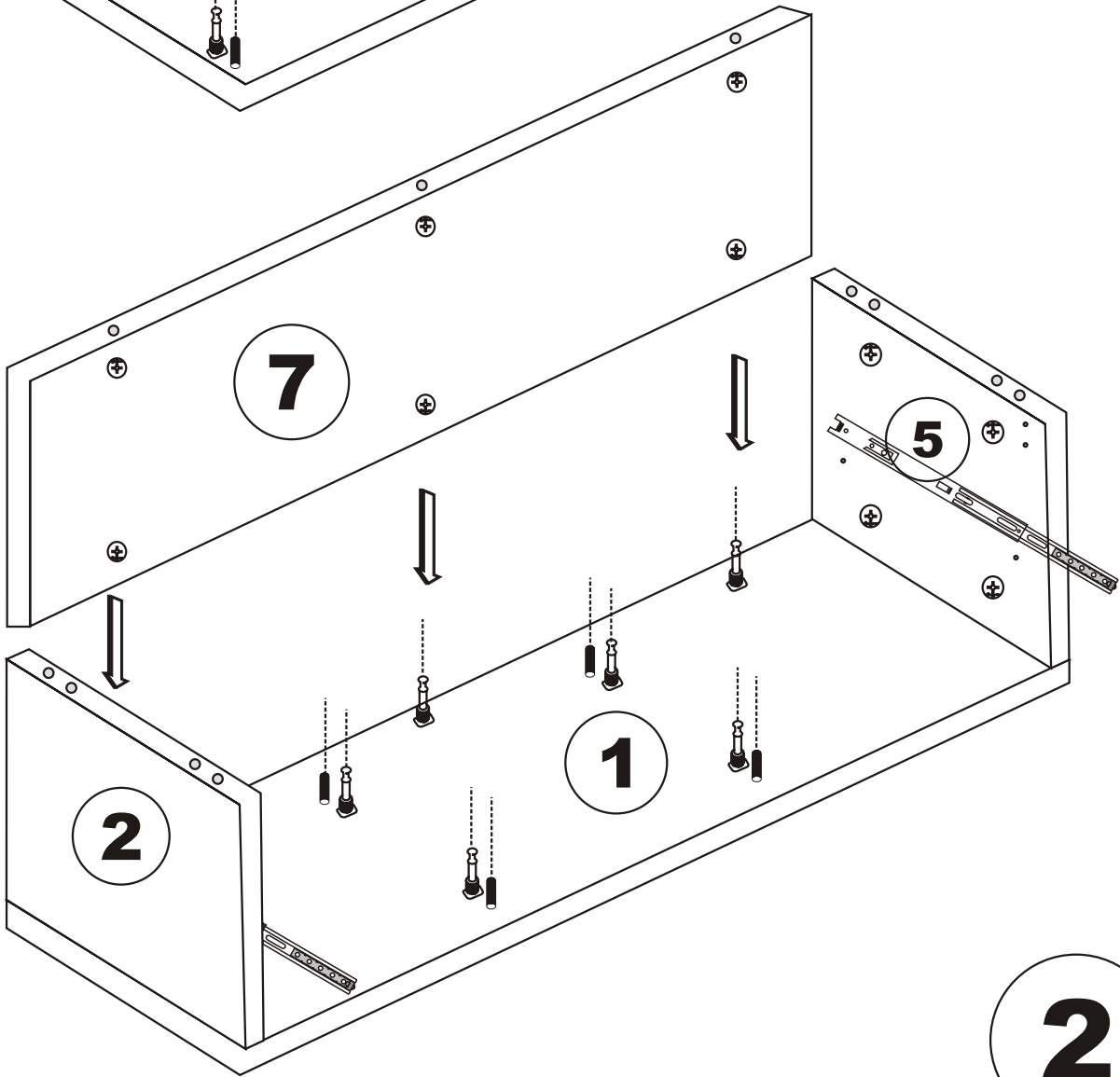
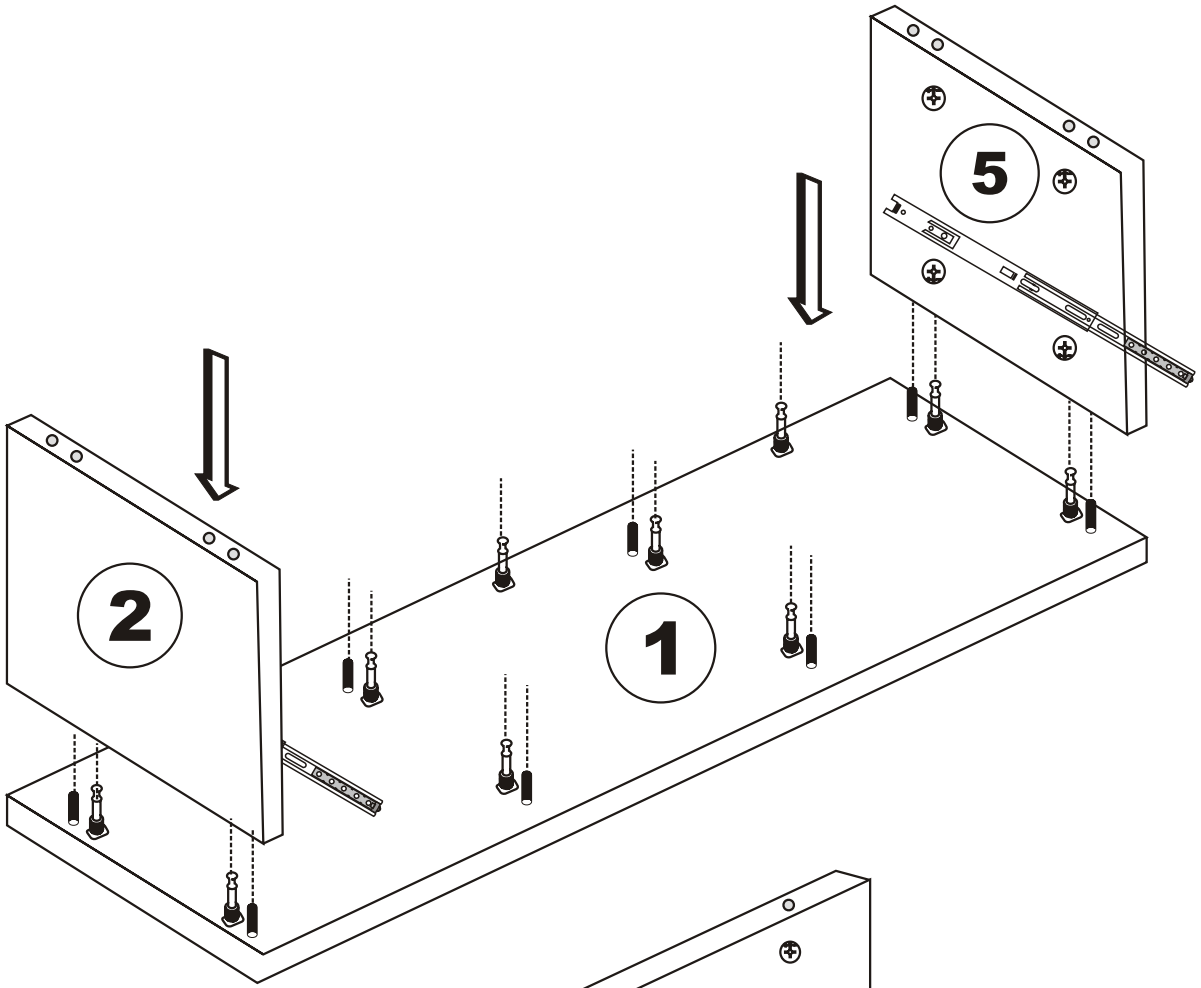
Minifix is the main connection material used in Decortile products ,
Before starting assembly , Please check the drawings below

Accessory List

	F17 6x20  8X	A1 Minifix  30X	A2 Minifix  30X	T24 5 X 65  8X
F16 4 X 30  6X	H15  4X	A3  16X	N20 3,5x18  12X	T25  1X

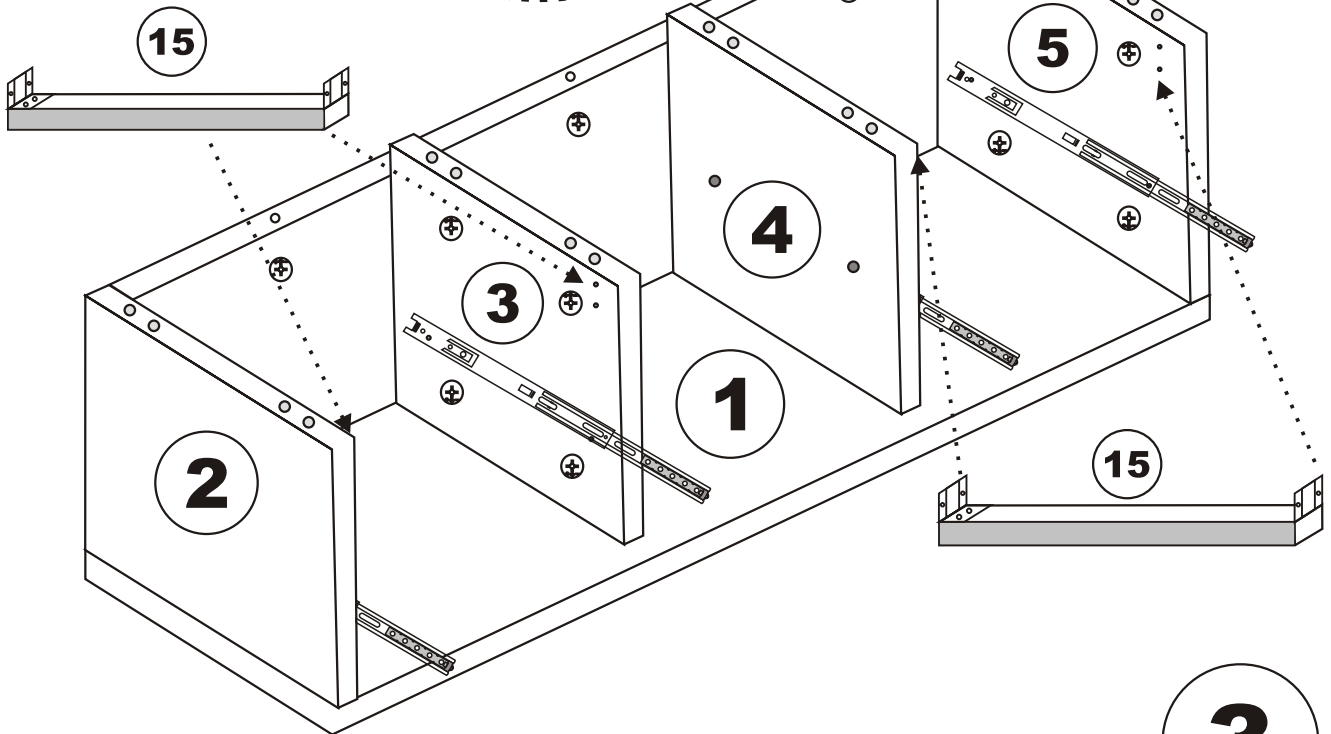
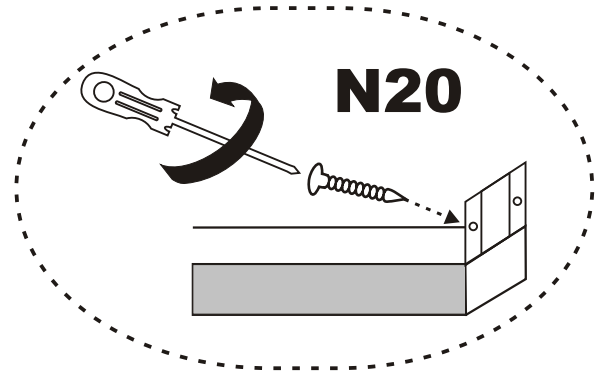
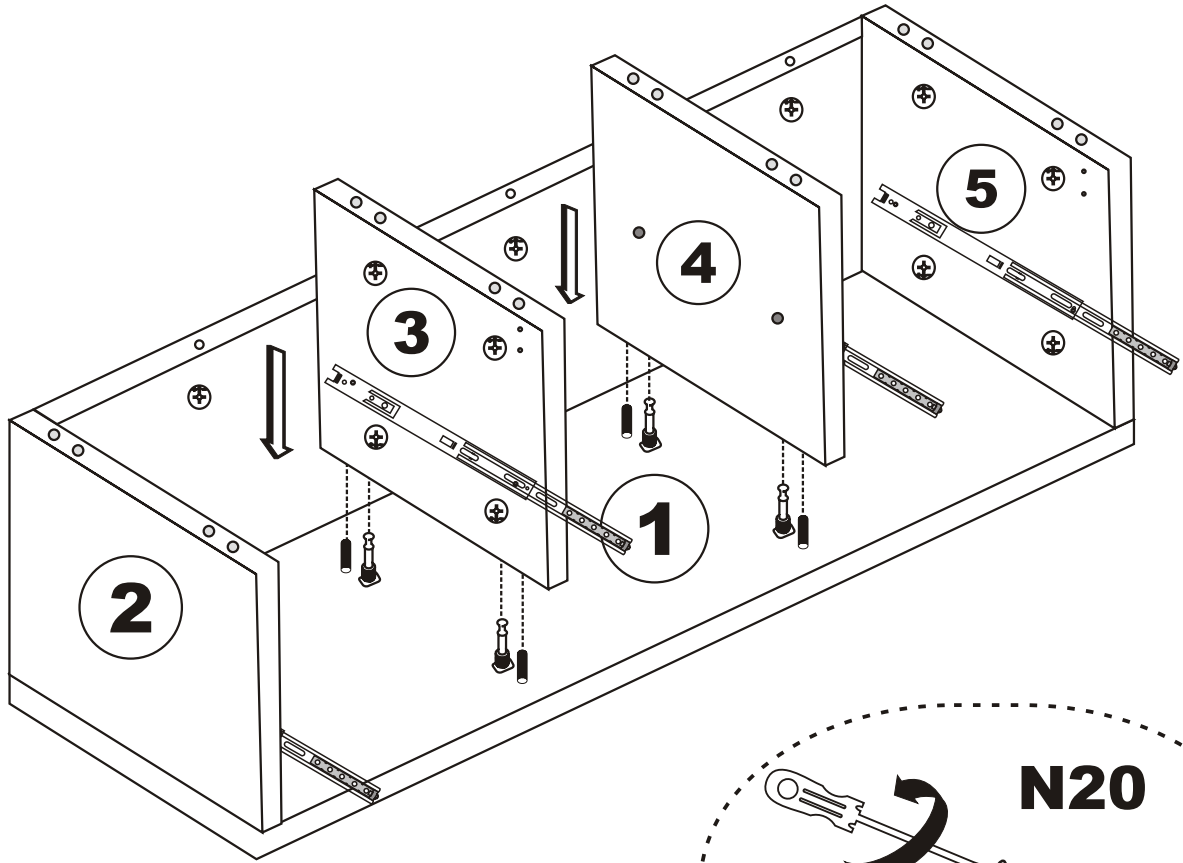
General view



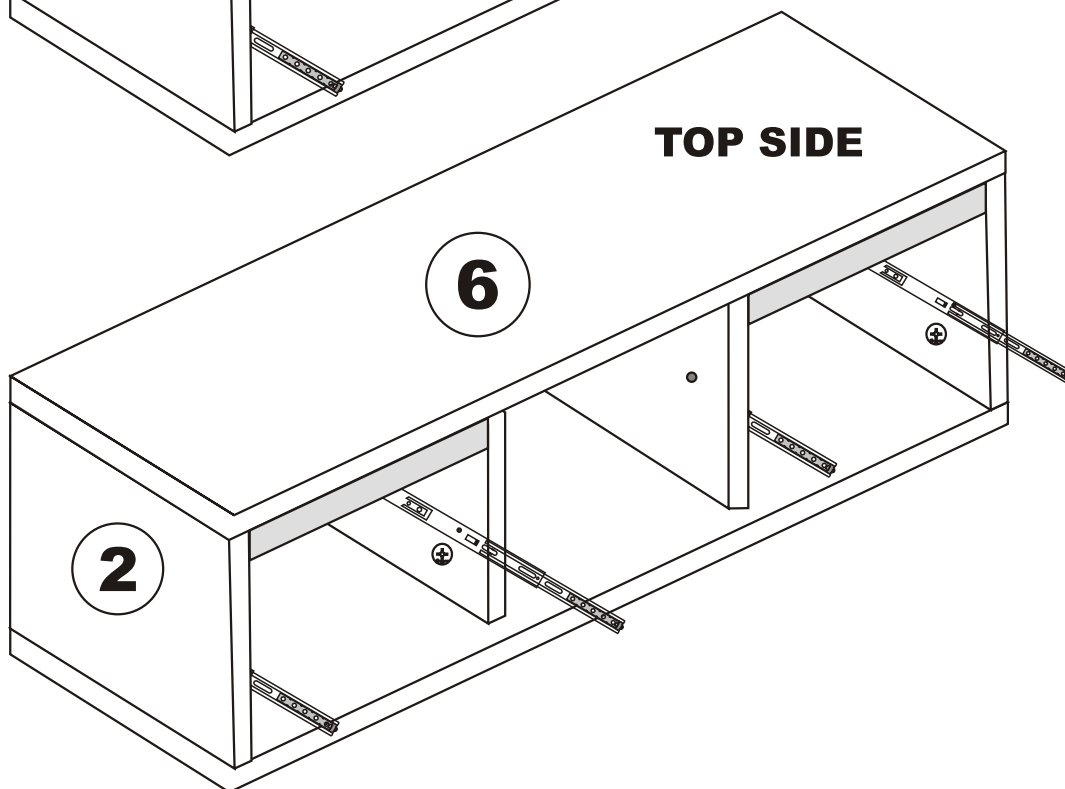
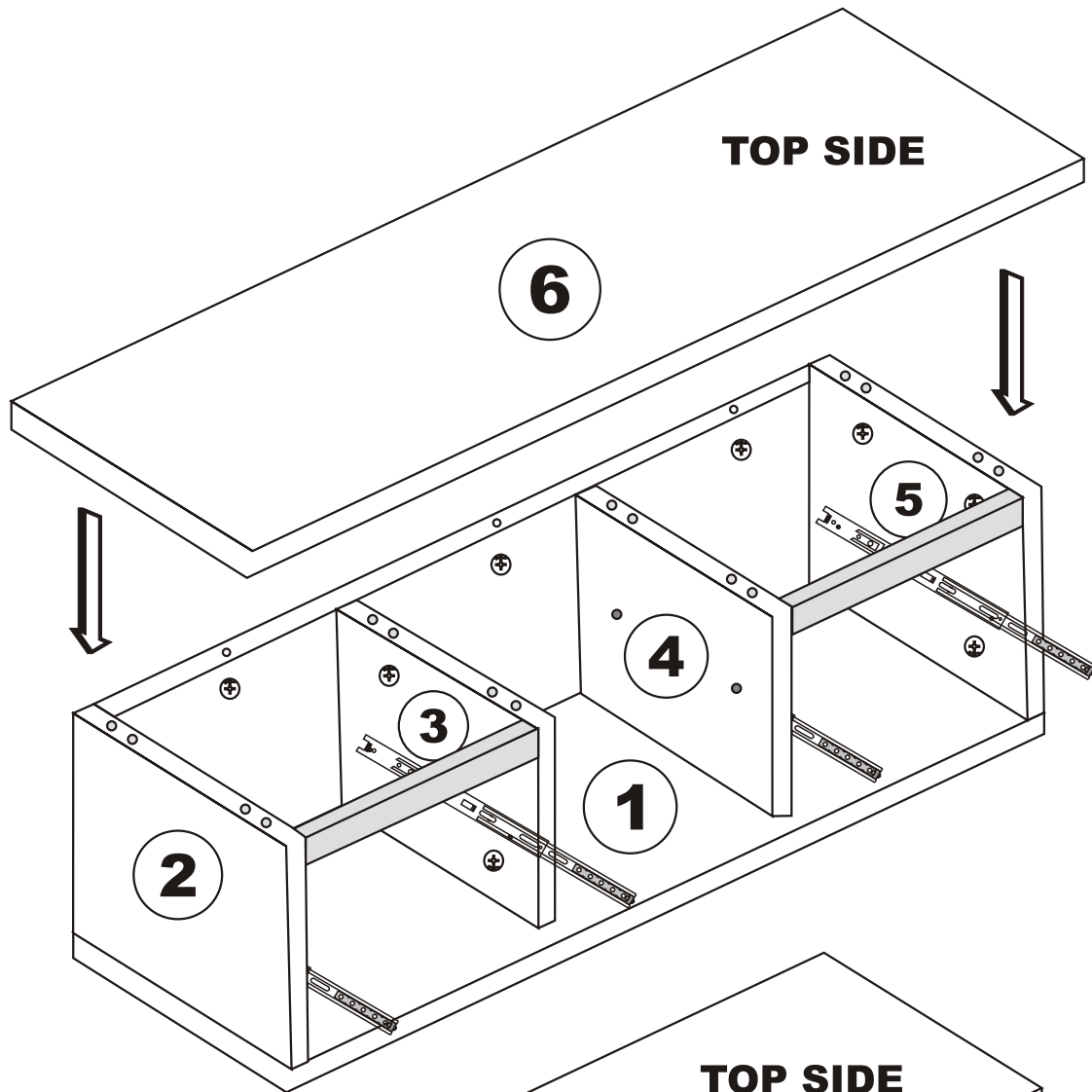


7

2

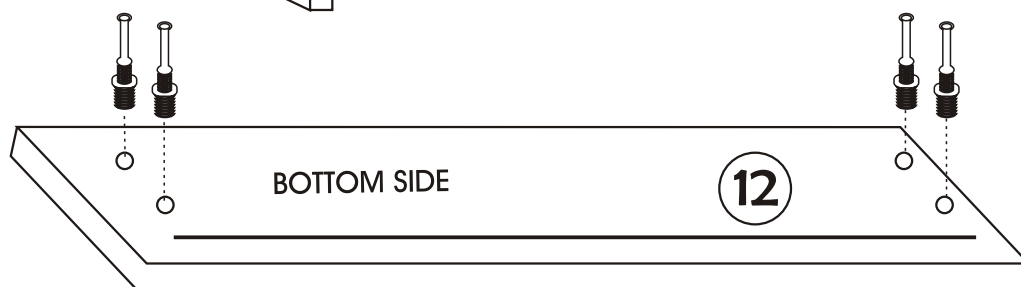
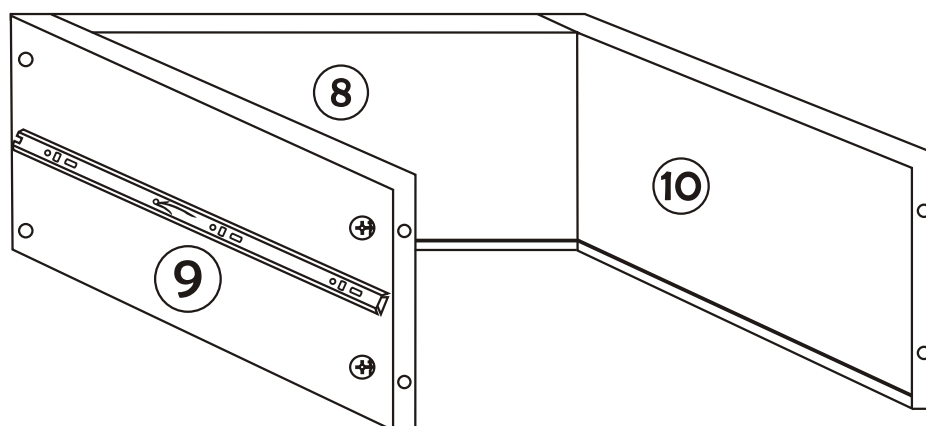
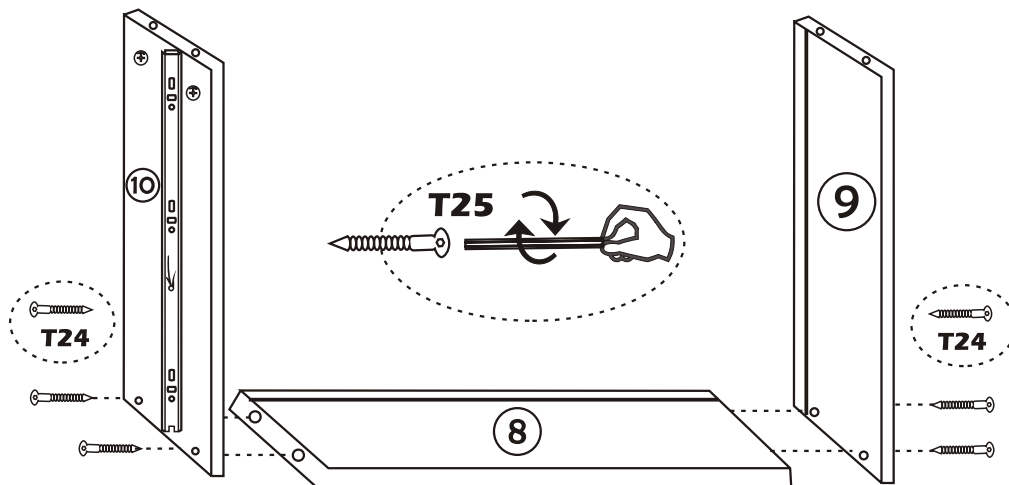
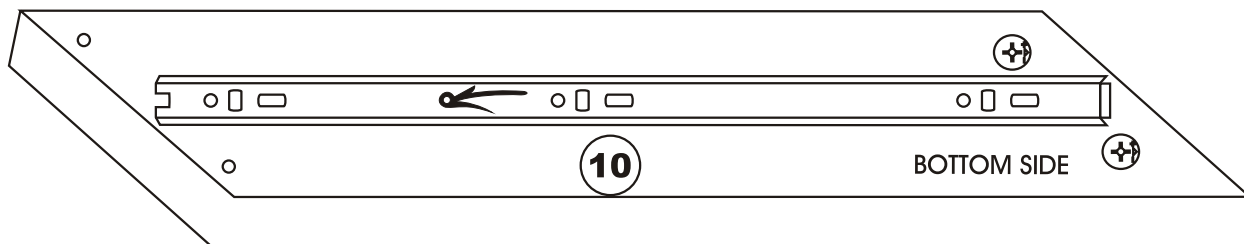
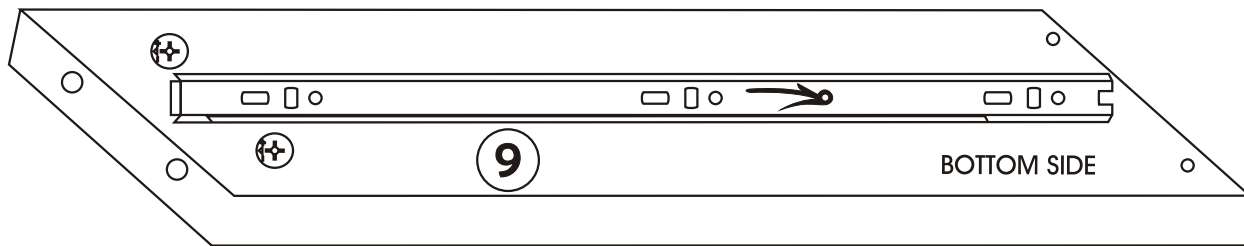


3

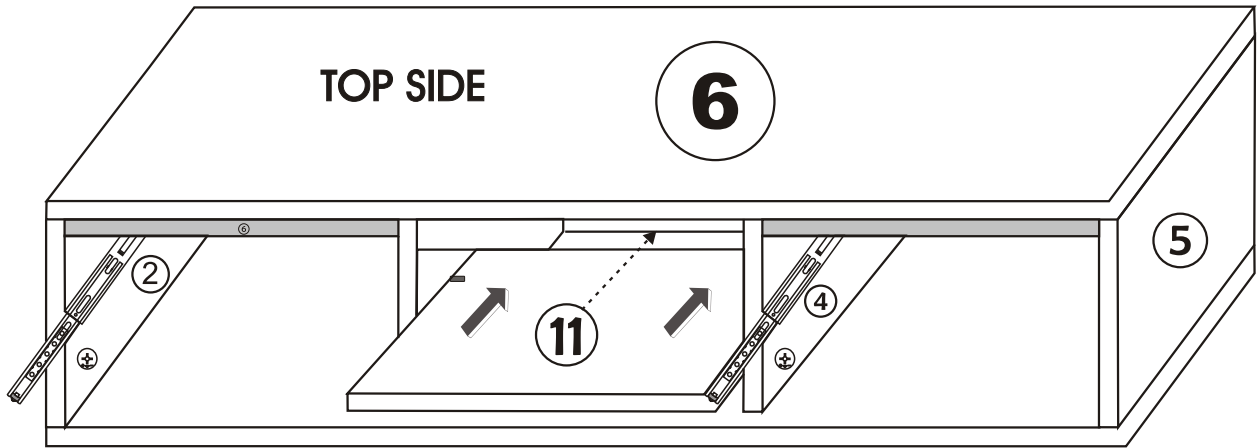
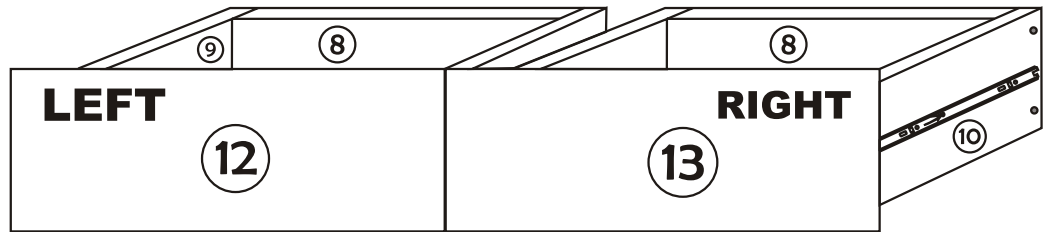


4

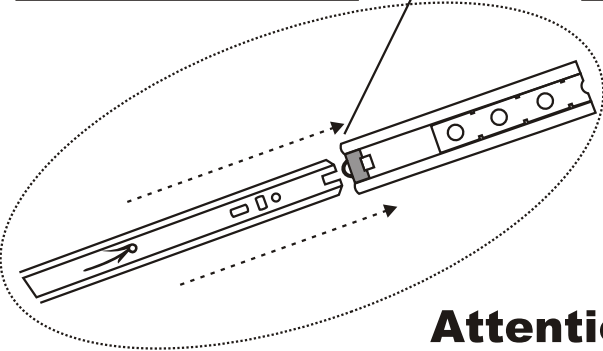
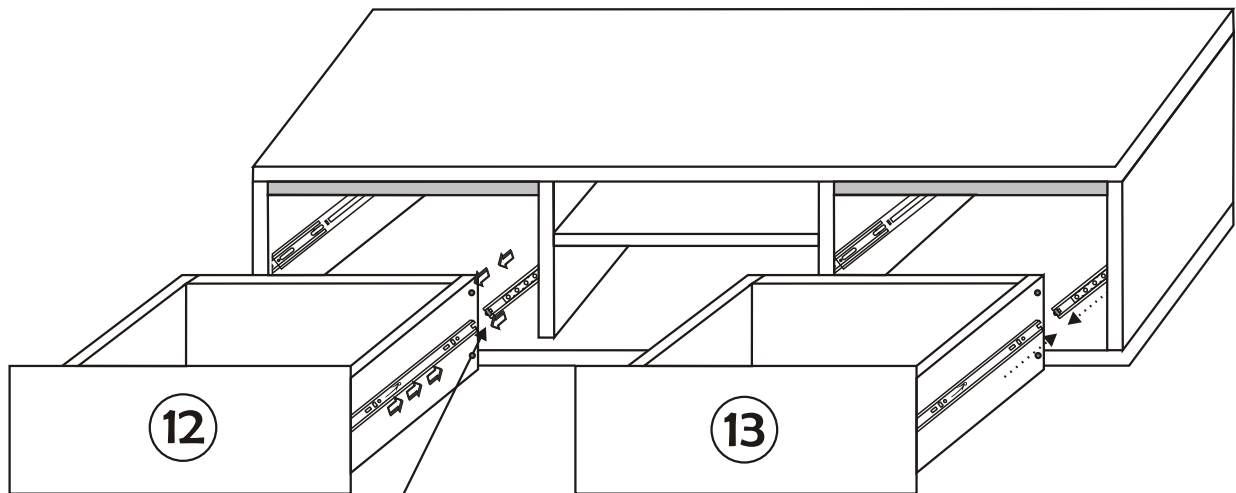
Please insert the drawer with light touches without forcing it while putting it in its slot



5

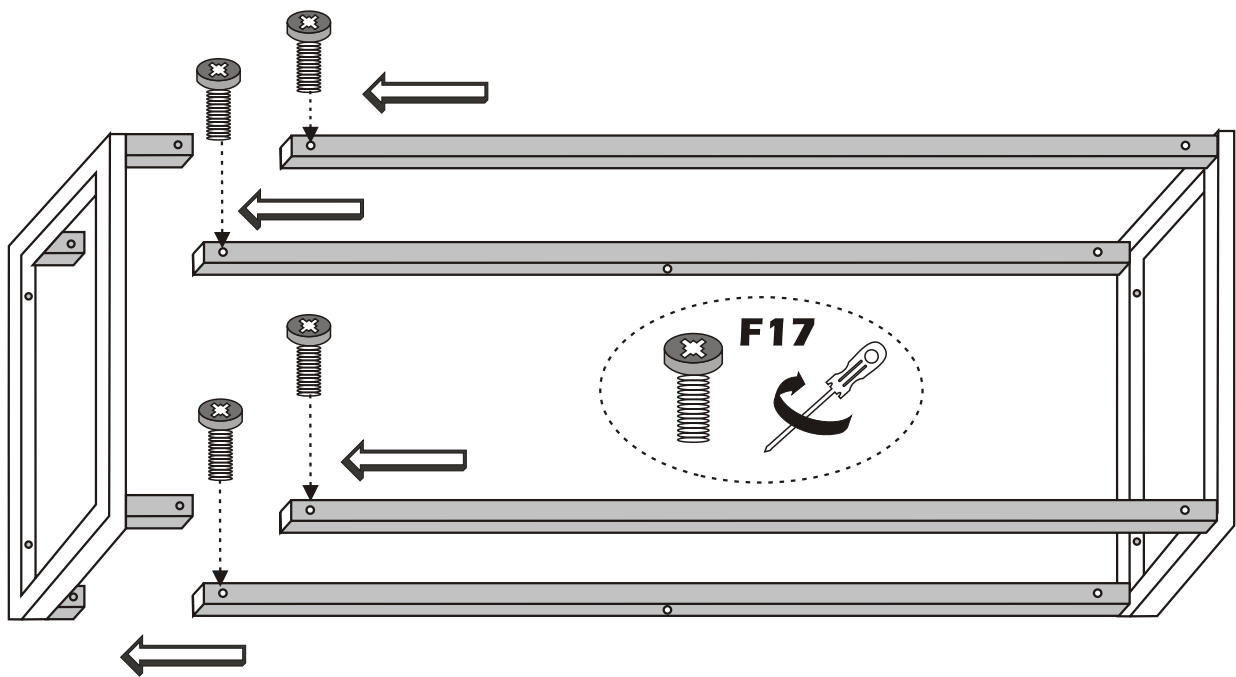
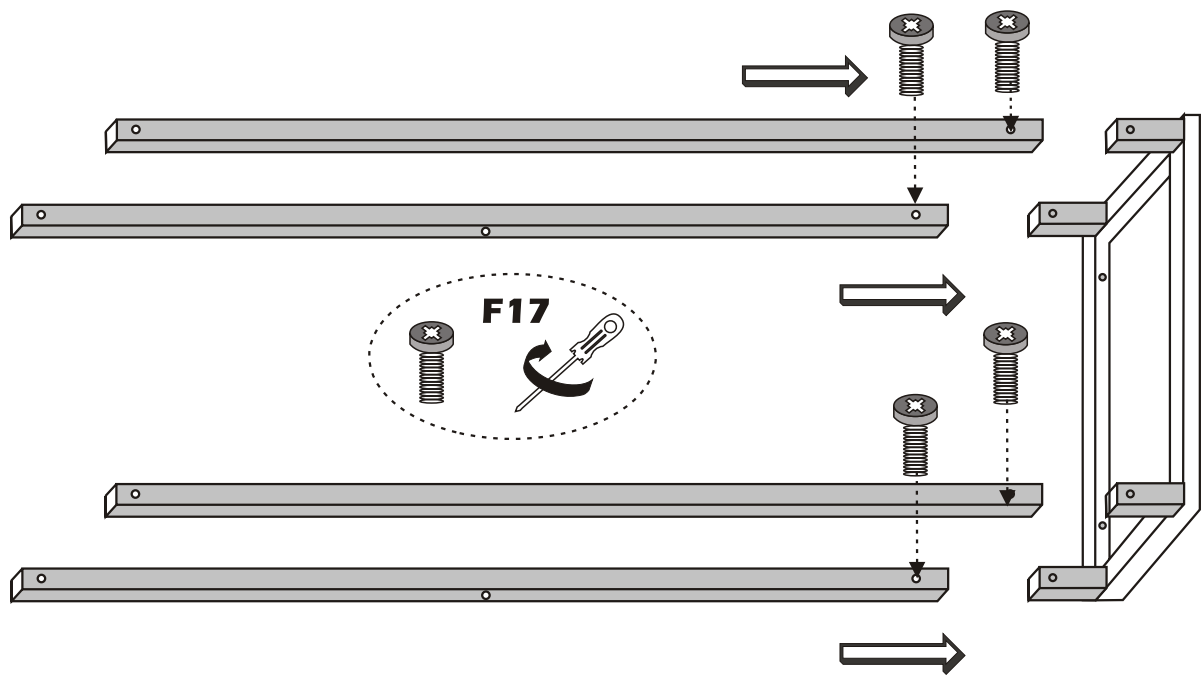


Please insert the drawer with light touches without forcing it while putting it in its slot

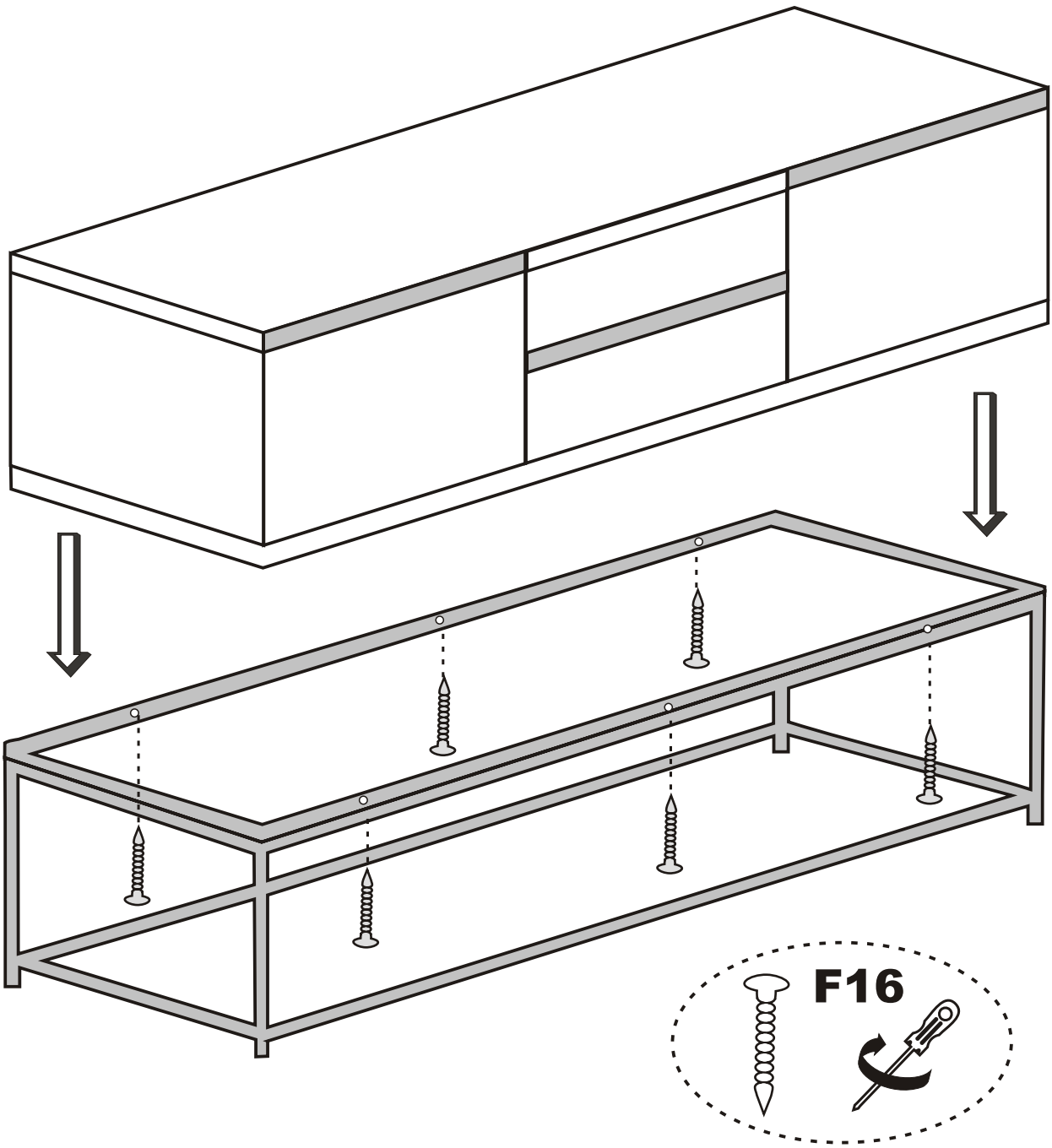


6

Attention !! As indicated in the manual .
You should assemble the drawer covers
With the number 12 on the left and number
13 on the right .



7



**We hope you enjoy your furniture in good times
please support us with your nice comments**