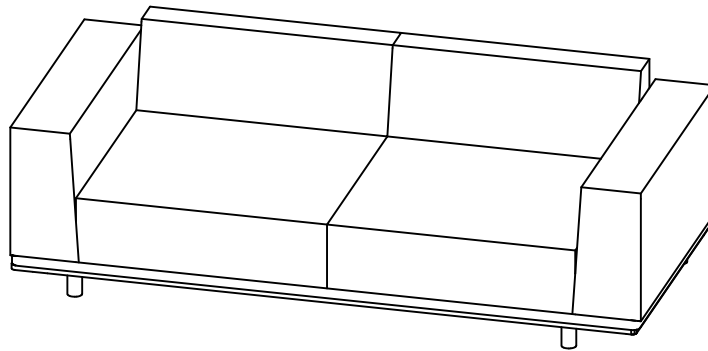


# USER GUIDE



- You should have your sofa and upholstered products cleaned by dry cleaning companies. Otherwise, it is inevitable for upholstered fabrics to wear out, fade and shrink.
- **Don't clean** your products with a carpet washing machine. In addition, attach the seat cleaning apparatus of the sweeping machine and perform the cleaning process.
- Easy stains should be done with a slightly damp cloth with soap without pressing. If the stains do not go away, ask the dry cleaning company for support.
- Before starting the cleaning process, you should remove the dust on the products.
- **Don't dry** the wetted products with direct sunlight. **Don't dry** with devices such as irons and blow dryers.
- Carry out the drying process by keeping it at room temperature.
- Before cleaning, test the material you will use by applying it to the invisible surface of the fabric to see the benefit and damage it will give to the fabric and its texture.
- **Don't remove** the dust of your painted and coated products with a dry and rough cloth.
- Clean the liquid stains spilled on your products without delay with a damp cloth without applying pressure.
- **Don't use** alcohol-containing chemicals while cleaning your products.
- The wooden parts and materials used in the products you purchased have been dried. However, wood remains a living material and always undergoes dimensional changes. In this case, the resulting change cannot be considered as a problem covered by the warranty, unless it prevents use.
- In very humid environments, wooden products may expand and their assembly may disintegrate. Therefore, the products must be kept at a humidity of 40% - 60%.
- Use your product by protecting it from direct stove, central heating and sunlight.