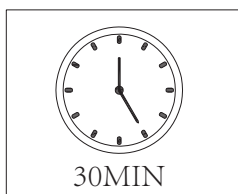
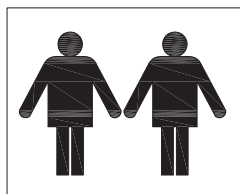
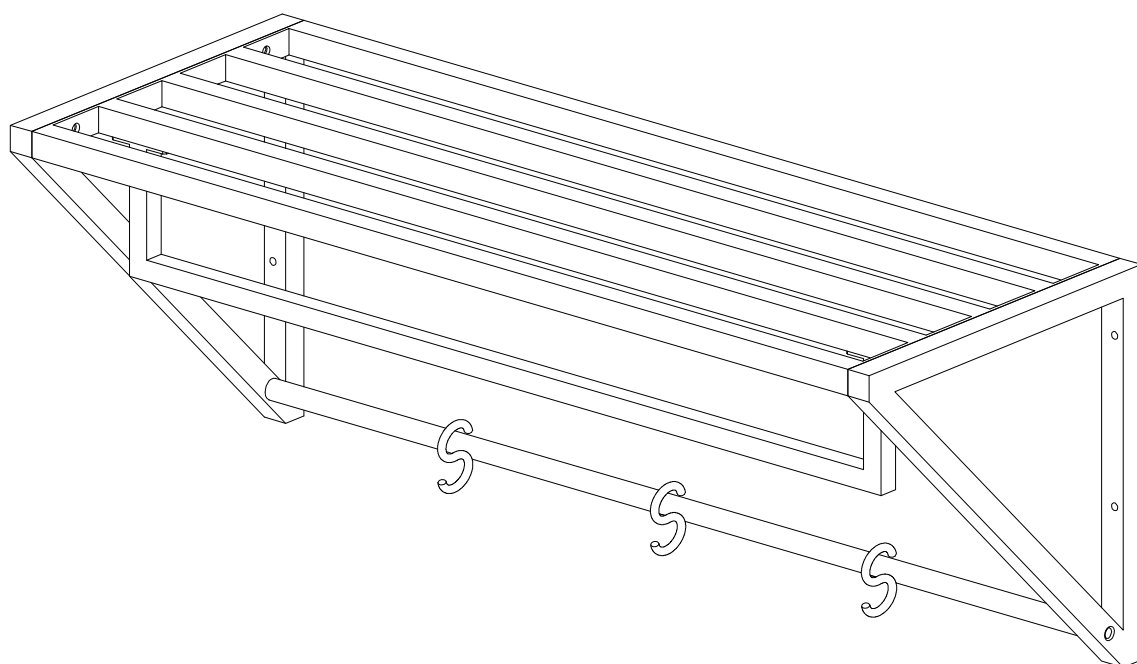


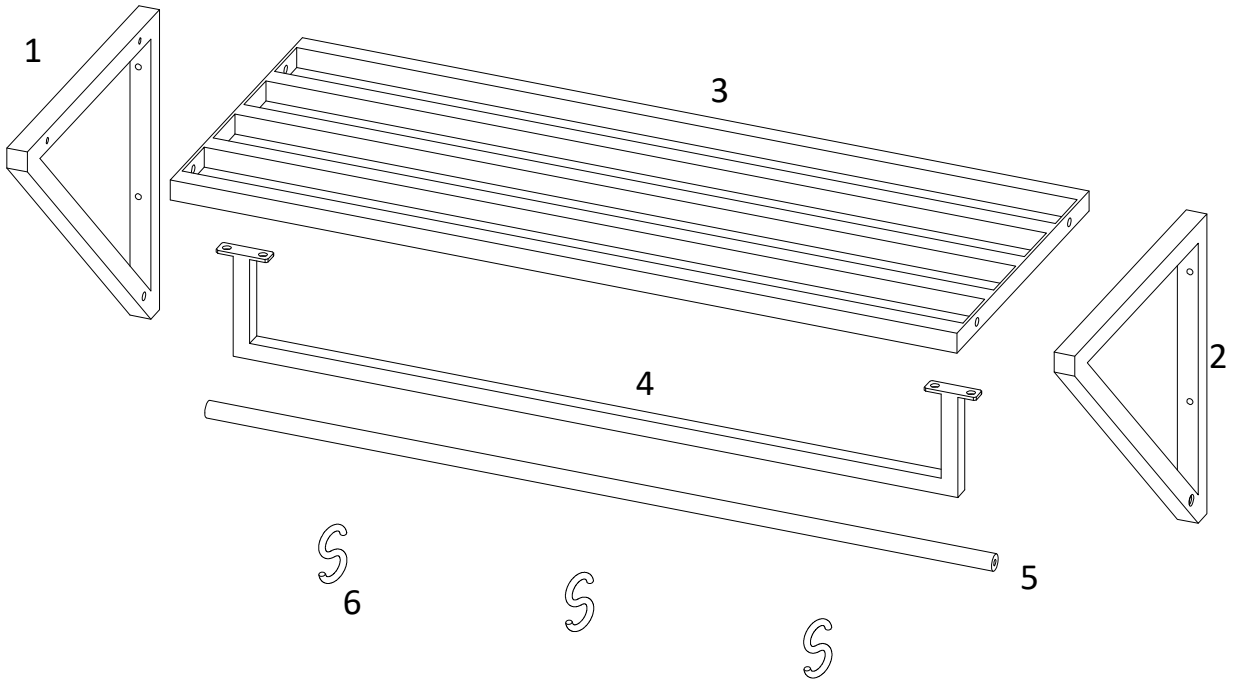
# Jotex

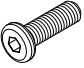


1652641-01-0



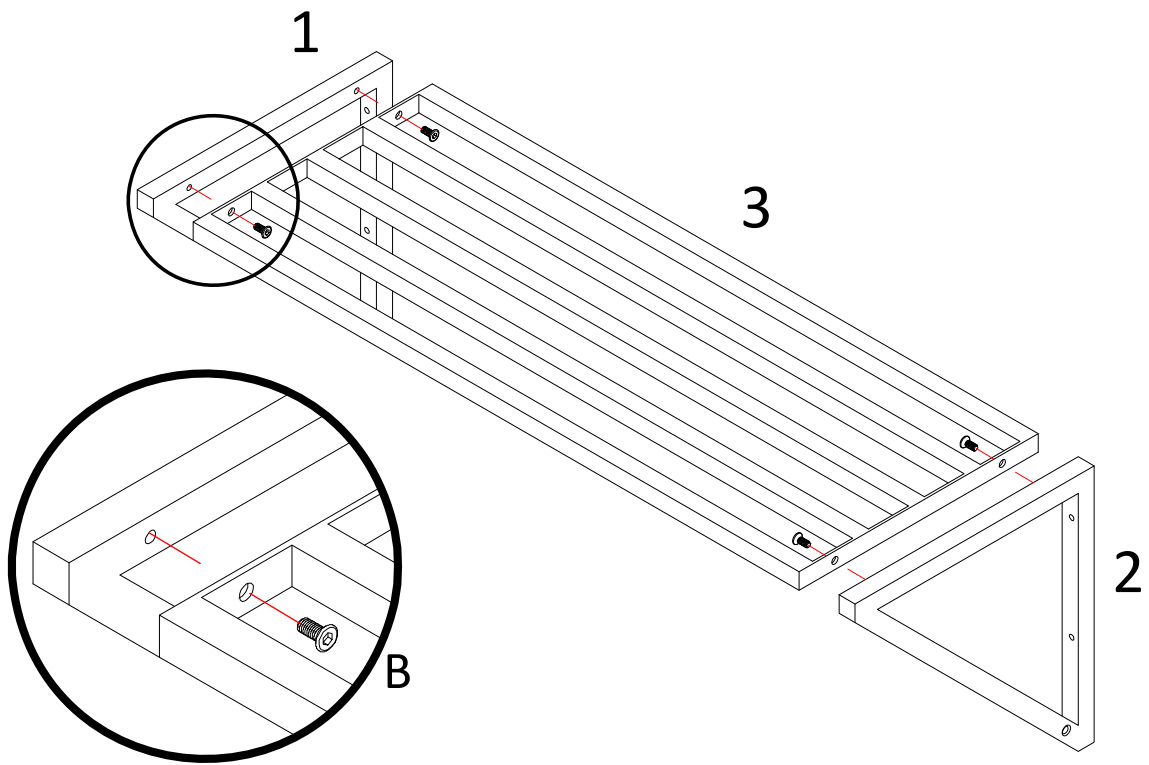
Max loading weight per hook is 5.5kgs



Max loading weight per shelf is 11kgs



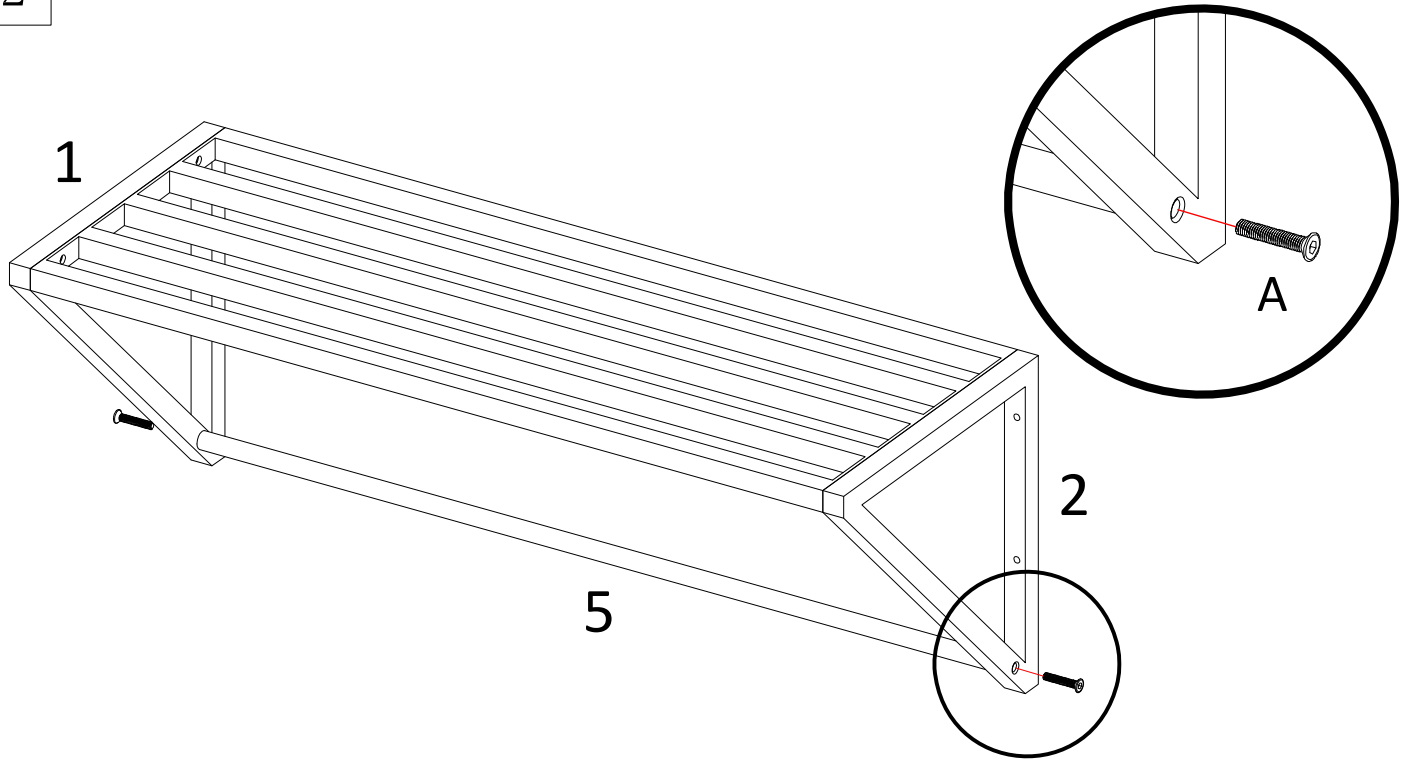
	Ax2		Bx8		Cx1
-----------------------------------------------------------------------------------	-----	------------------------------------------------------------------------------------	-----	------------------------------------------------------------------------------------	-----

1

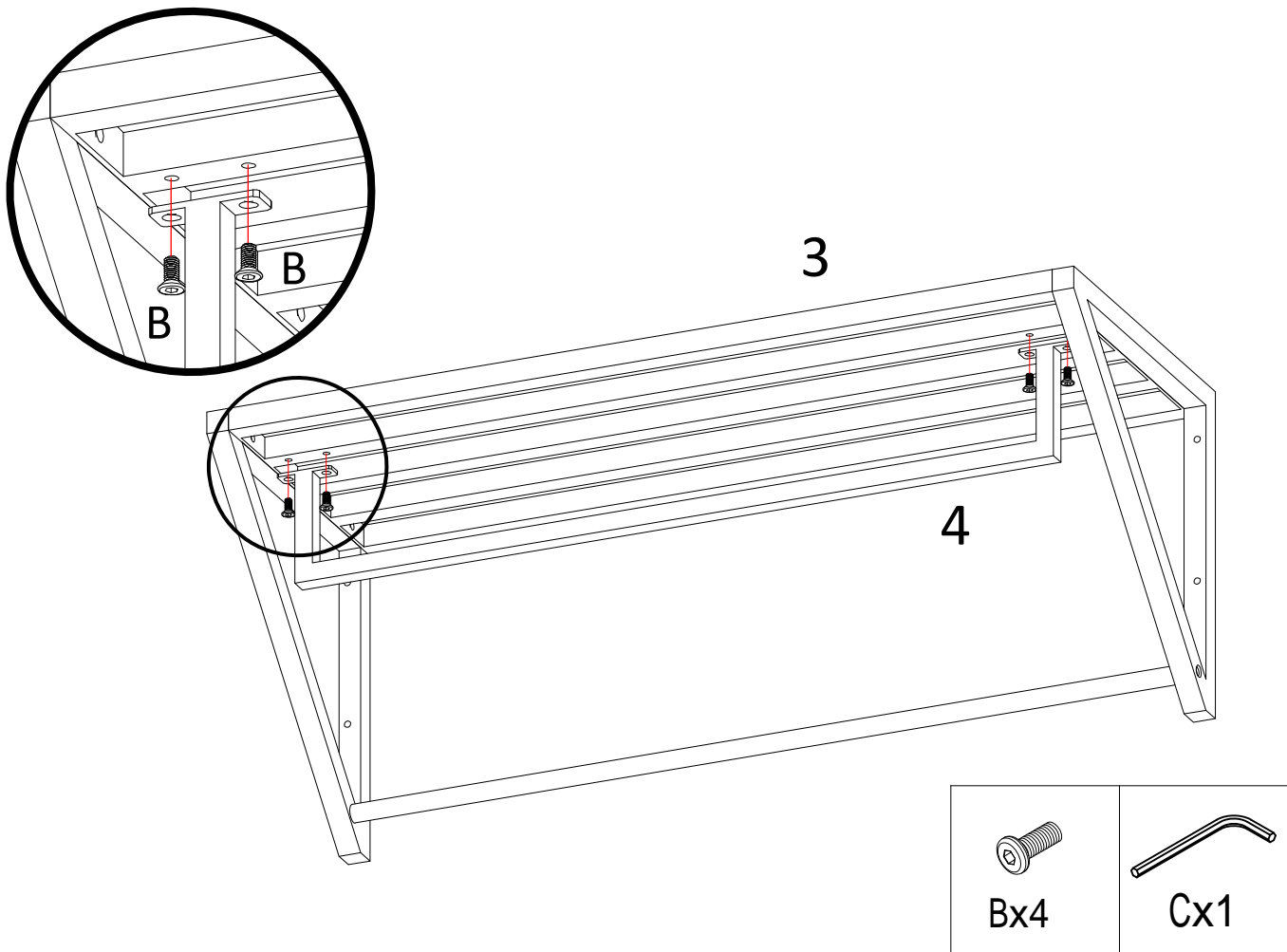


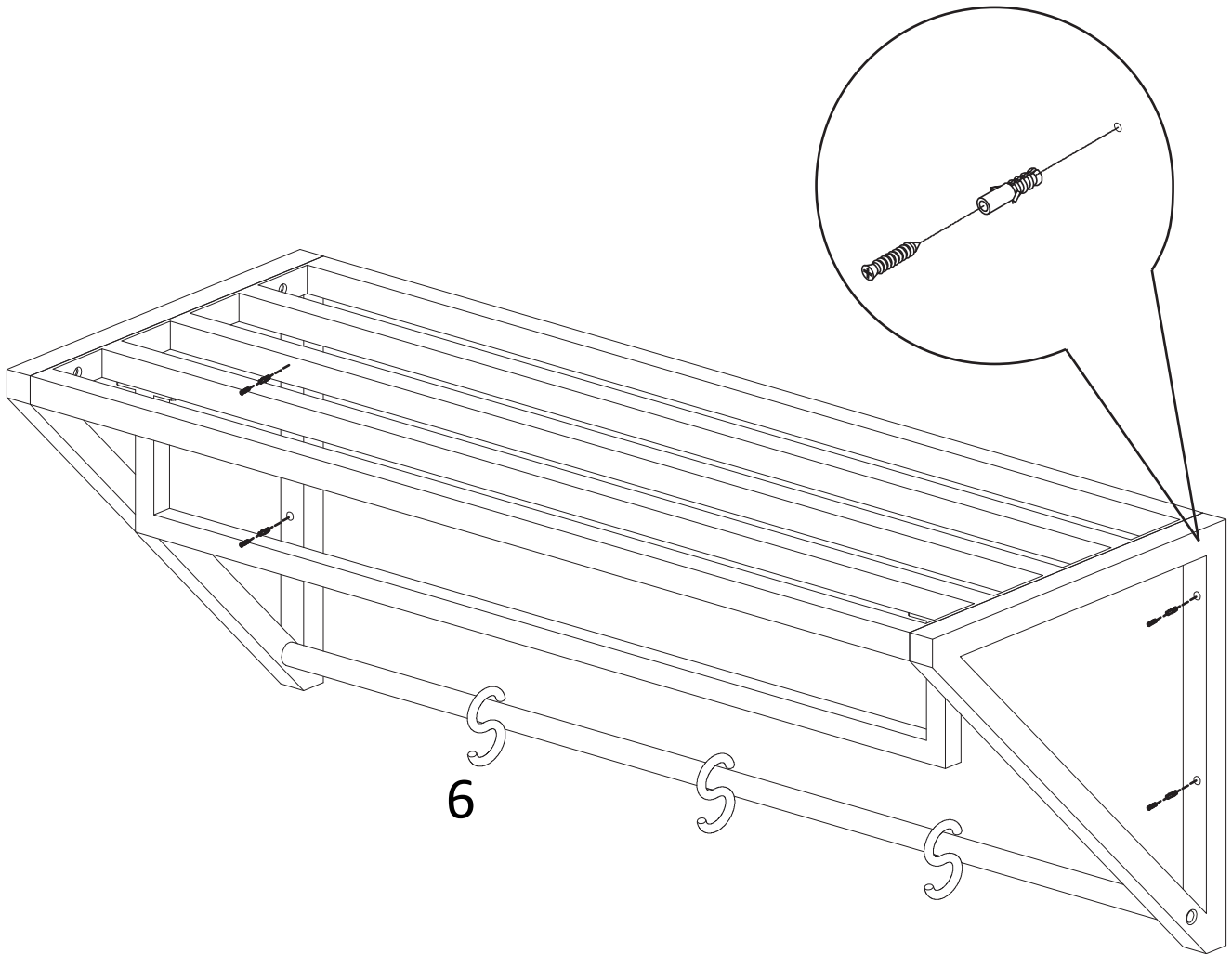
	
Bx4	Cx1

2



3





Due to the wide diversity of wall or partition types, we cannot provide you with suitable attachment fixtures. To determine which attachment fixtures to use, you will need to identify the type of wall to which you will be fixing this product. Here are some examples of attachment fixtures recommended for :



BLIND WALLS		STUDDED WALLS		
<p>"FISCHER" Nylon plug</p>	<p>Metal Wall plug</p>	<p>Nylon winged Wall plug</p>	<p>Metal expansion plug</p>	<p>"MOLLY" plug</p>



Use a drill bit that is compatible in size with the hardware used and the type of wall