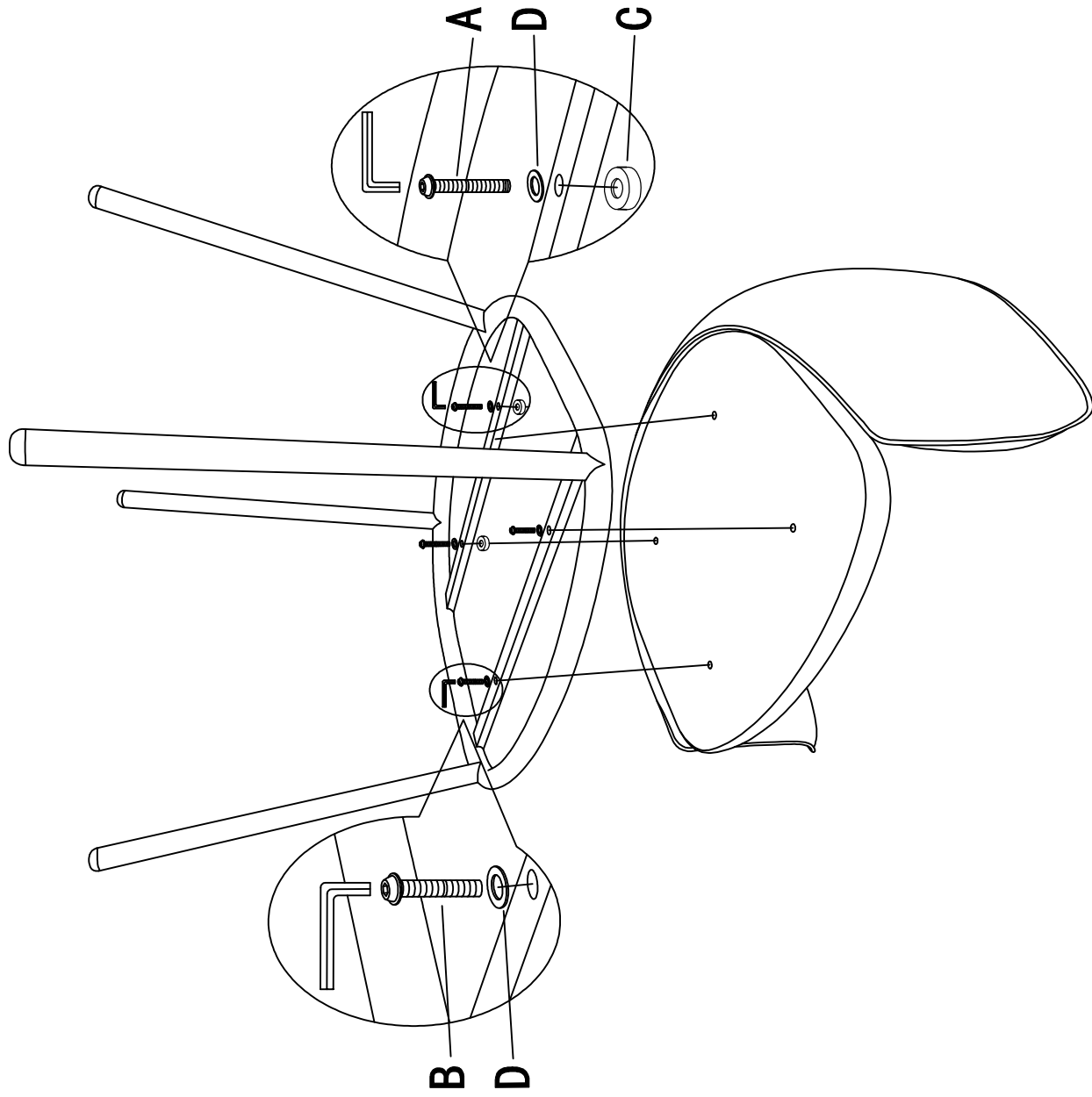
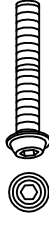


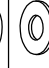
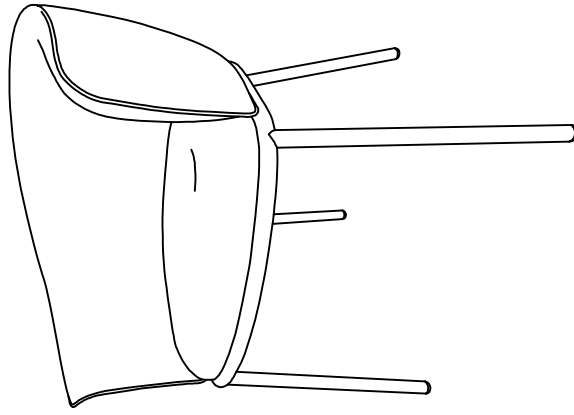


Step:1



A		x2
B		x2
C		x2
D		x4

Finish



0129172

