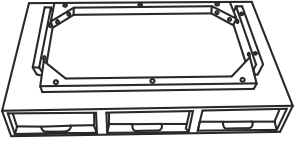
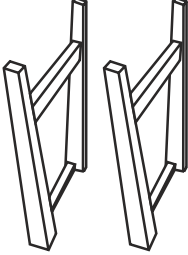
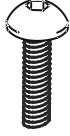



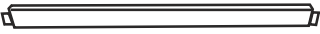




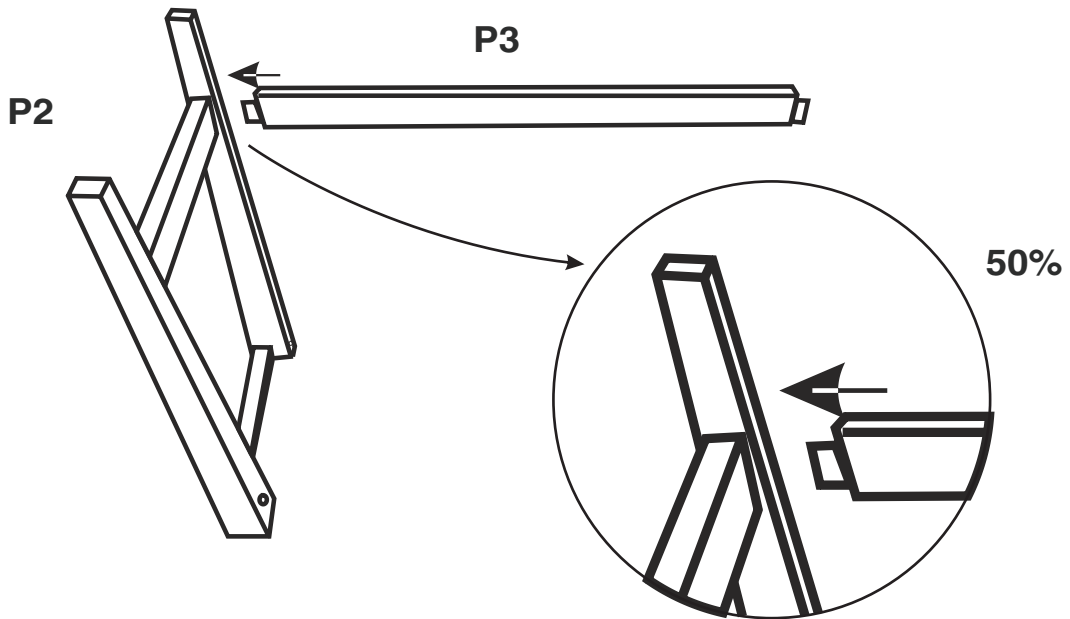
# ASSEMBLY INSTRUCTIONS

ITEM NO. - 1660641-01-0

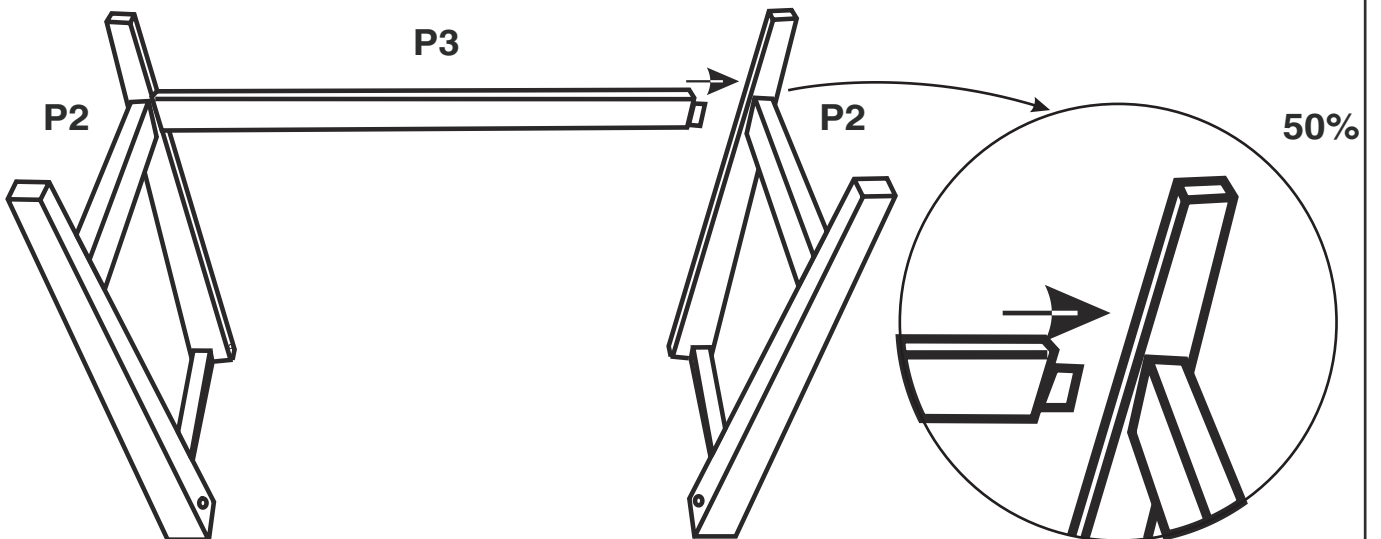
## PARTS LIST

<b>P1x1</b> 	<b>P2x2</b> 	<b>Ax4</b>  M8x30	<b>Bx4</b>  M8XOD(20)XID(8.5)	<b>Dx2</b>  M6XOD(25)	<b>Ex2</b>  M6XOD(10)XID(6)
<b>P3x1</b> 		<b>Cx1</b>  # 5		<b>Fx1</b>  # 4	

## STEP-1



## STEP-2



**STEP-3**

