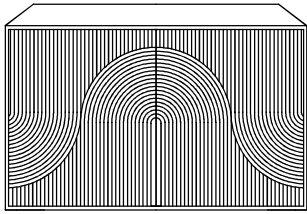


# ASSEMBLY INSTRUCTIONS

ITEM NO. -1663509-01-0

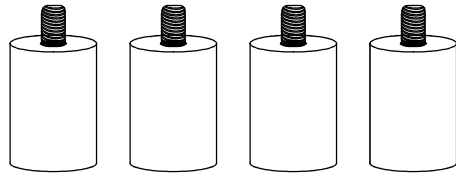
## PART LIST

P1



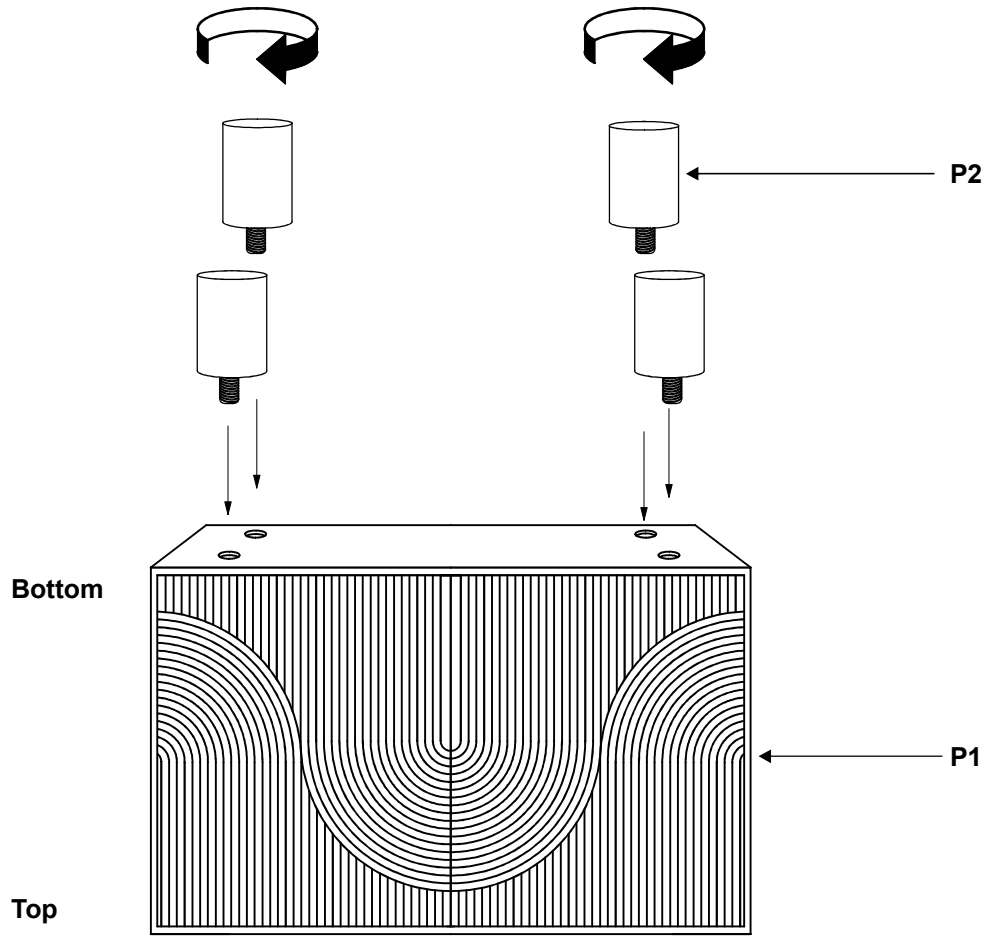
x1

P2

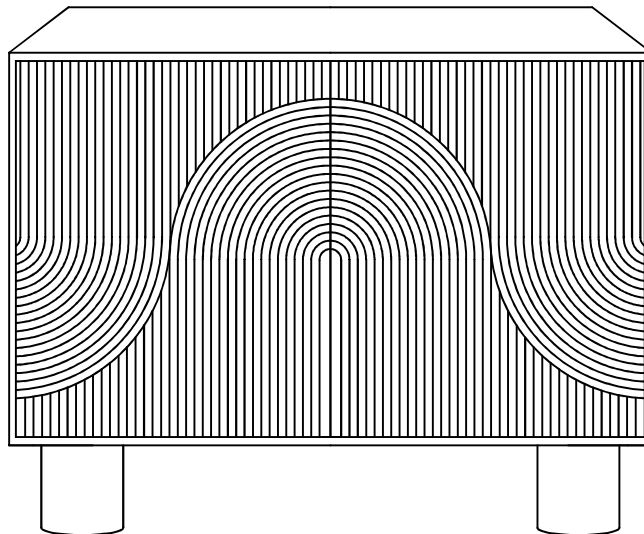


x4

### STEP-1



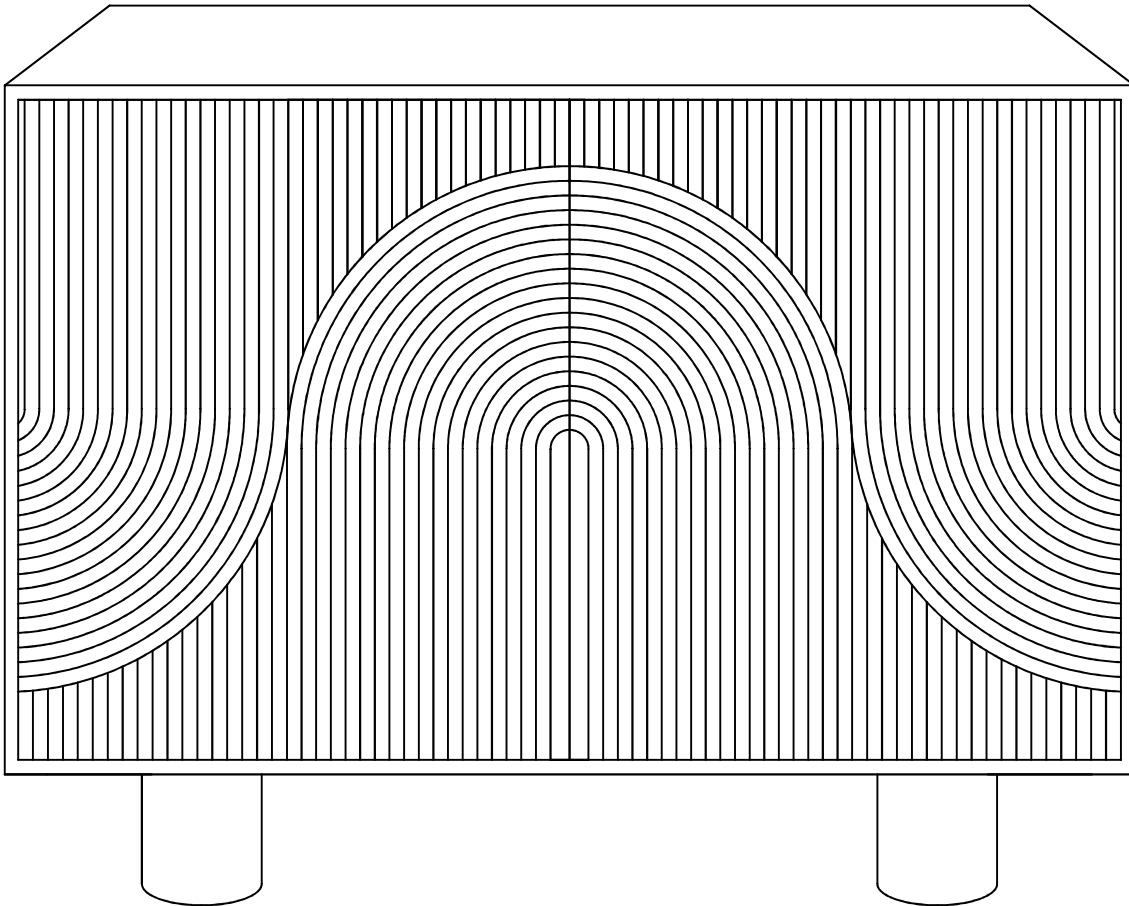
### READY TO USE



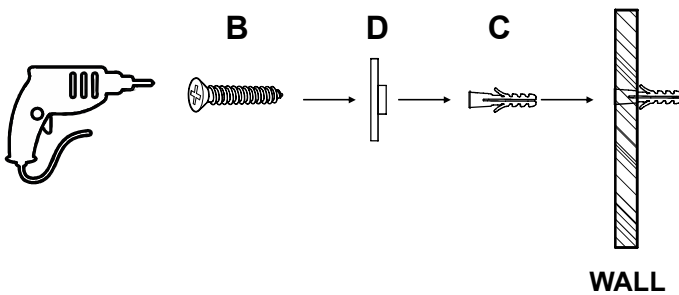
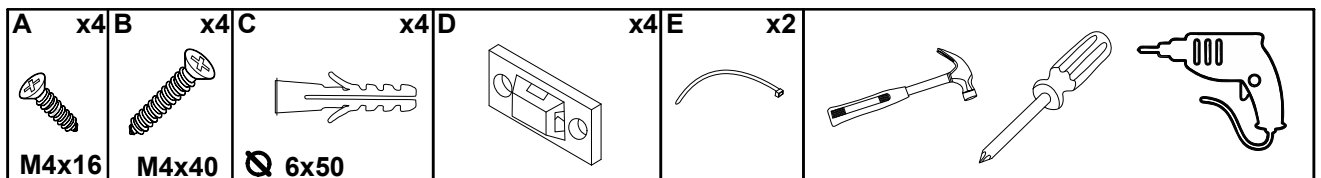
# ANTI TIP ASSEMBLY INSTRUCTIONS

ITEM NO. -1663509-01-0

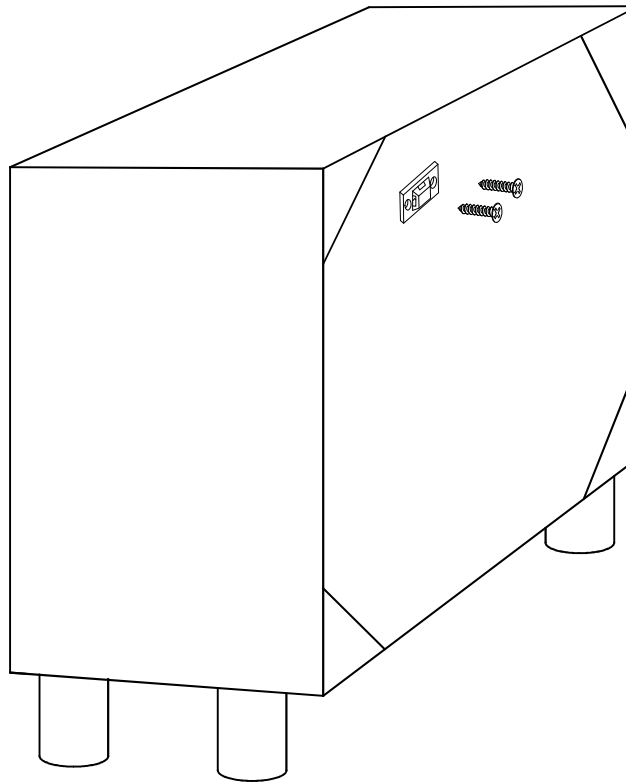
1.



2.



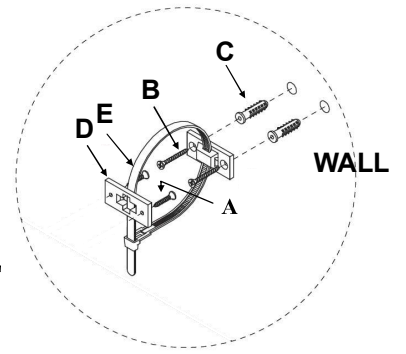
1.



D

A

E



WALL

2.

