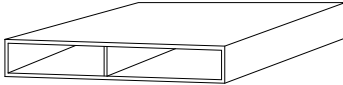
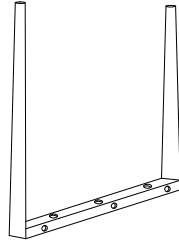
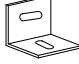


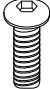




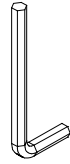


ASSEMBLY INSTRUCTIONS

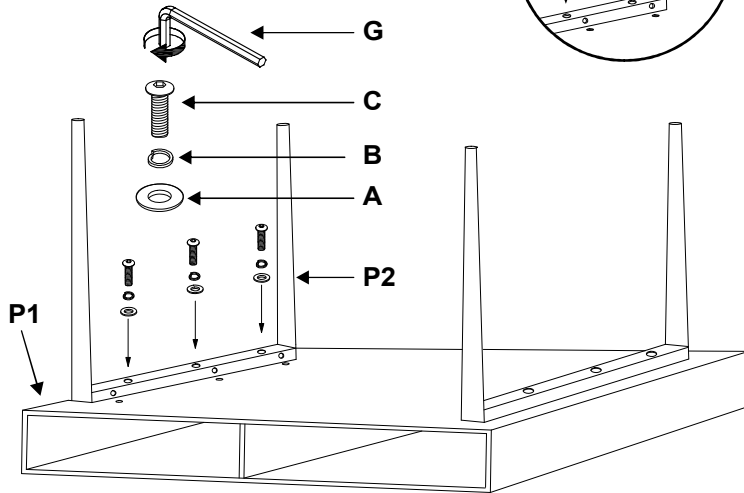
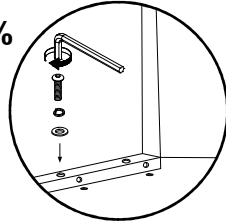
ITEM NO. - 1663510-01-0

PARTS LIST

P1	x1	P2	x2	P3	x6	A	x6	B	x6	C	x6	D	x12	E	x12	F	x12	G	x1	H	x1
							M8xO.D.18		M8xO.D.10		M8x50		M6xO.D.8		M6xO.D.15		M6x15		#5		#4

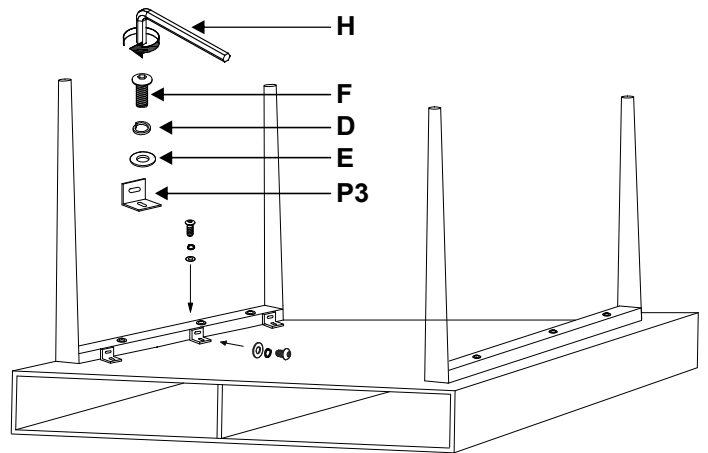
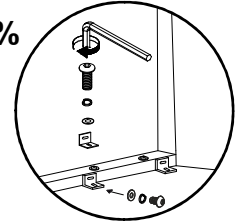
STEP-1

50%



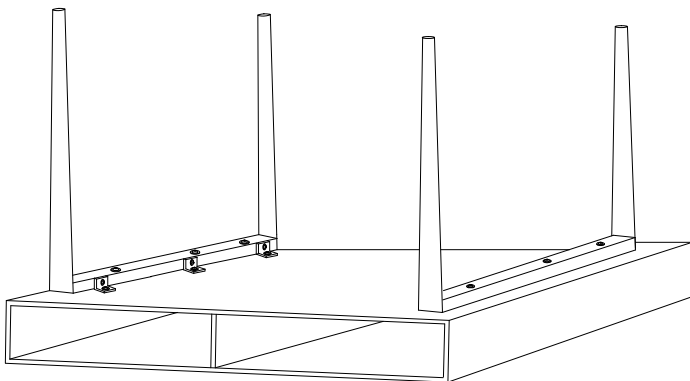
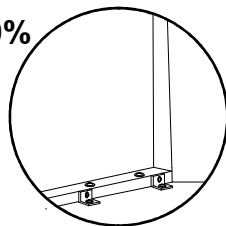
STEP-2

50%

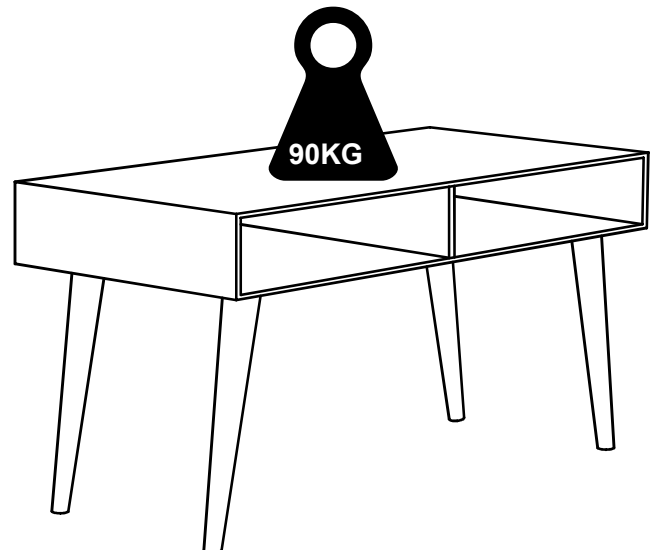


STEP-1

100%



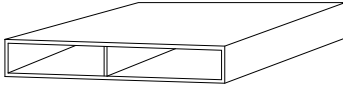
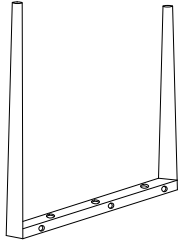



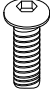



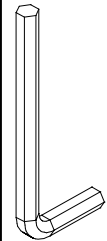
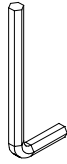
LOADABILITY



ASSEMBLY INSTRUCTIONS

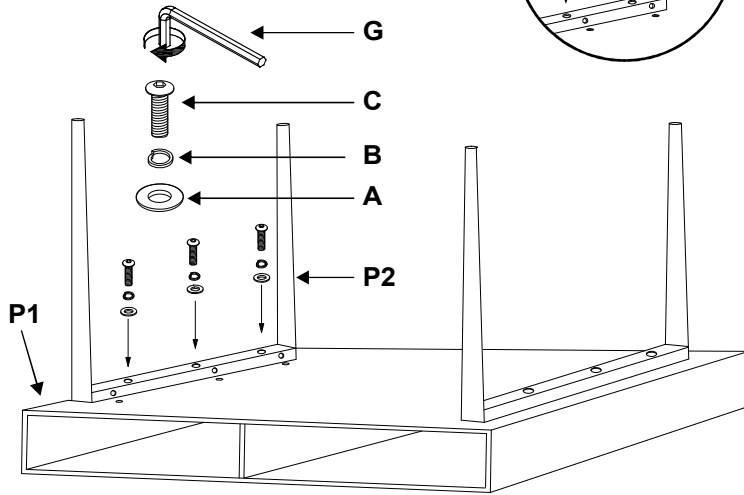
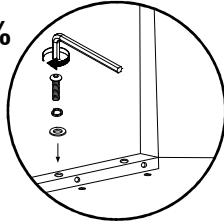
ITEM NO. - 1663510-02-0

PARTS LIST

P1	x1	P2	x2	P3	x6	A	x6	B	x6	C	x6	D	x12	E	x12	F	x12	G	x1	H	x1
							M8xO.D.18		M8xO.D.10		M8x50		M6xO.D.8		M8xO.D.15		M6x15		#5		#4

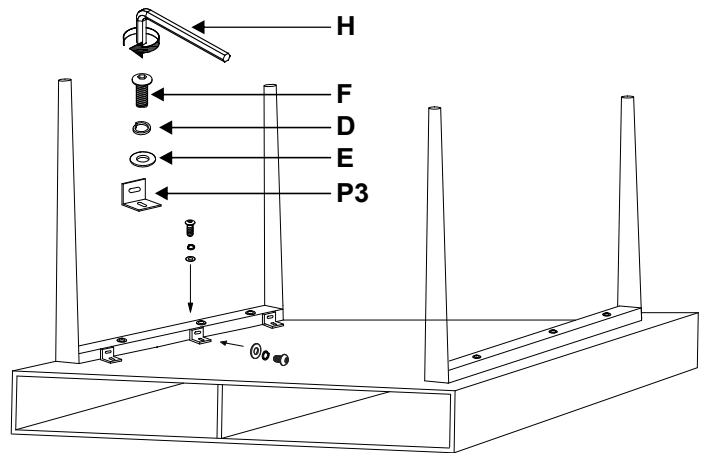
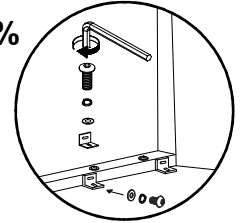
STEP-1

50%



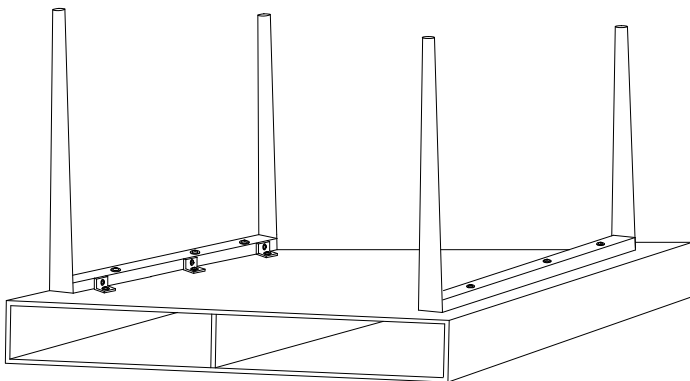
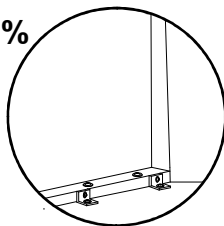
STEP-2

50%



STEP-1

100%



LOADABILITY

