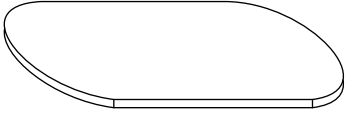
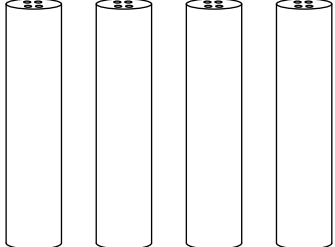
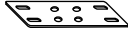




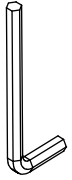


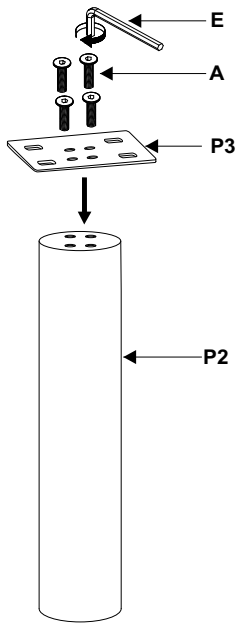
ASSEMBLY INSTRUCTIONS

ITEM NO. - 1663601-01-0

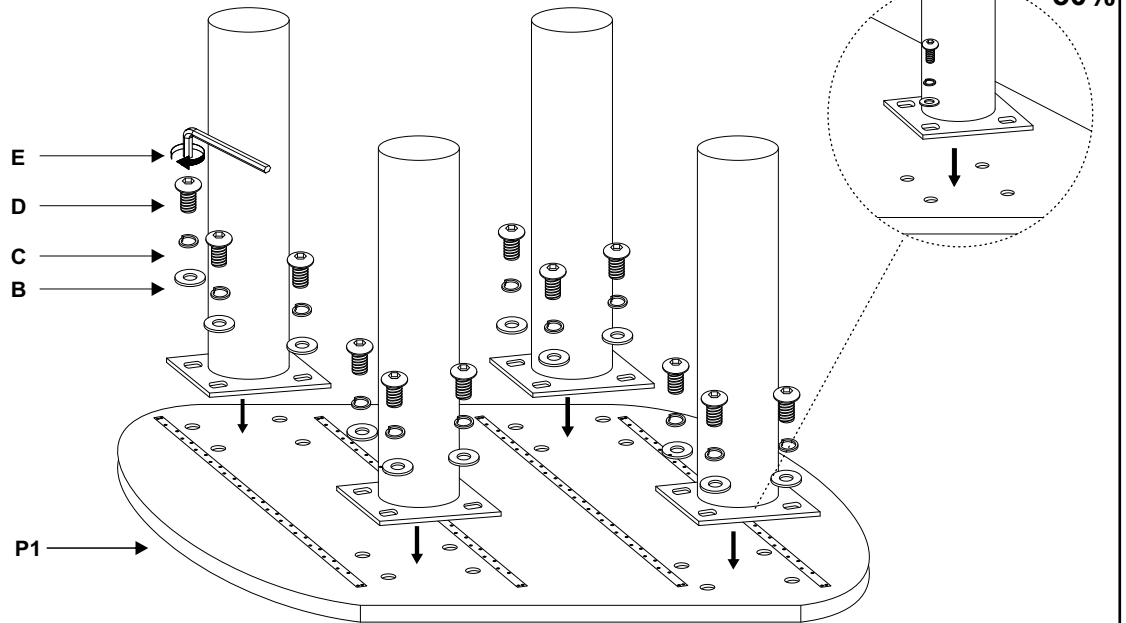
PARTS LIST

| | | | | | | | | | | | | | | | |
|--|----|---|----|---|----|---|----|---|-----|---|-----|---|-----|---|----|
| P1 | x1 | P2 | x4 | P3 | x4 | A | x4 | B | x16 | C | x16 | D | x16 | E | x1 |
|  | |  | |  | |  | |  | |  | |  | |  | |
| | | | | | | M8x25 | | M8xO.D.25 | | M8x10 | | M8X20 | | #5 | |

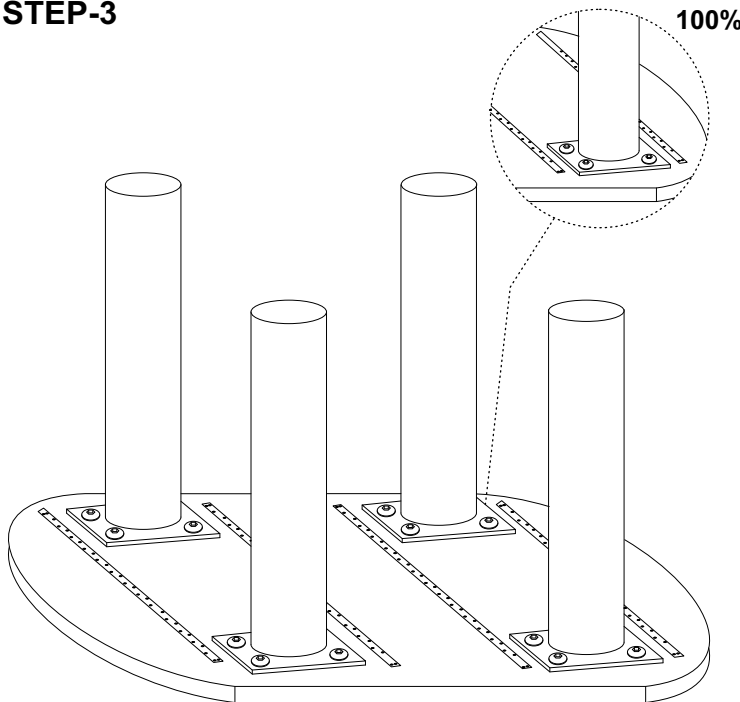
STEP-1



STEP-2



STEP-3



LOADABILITY

