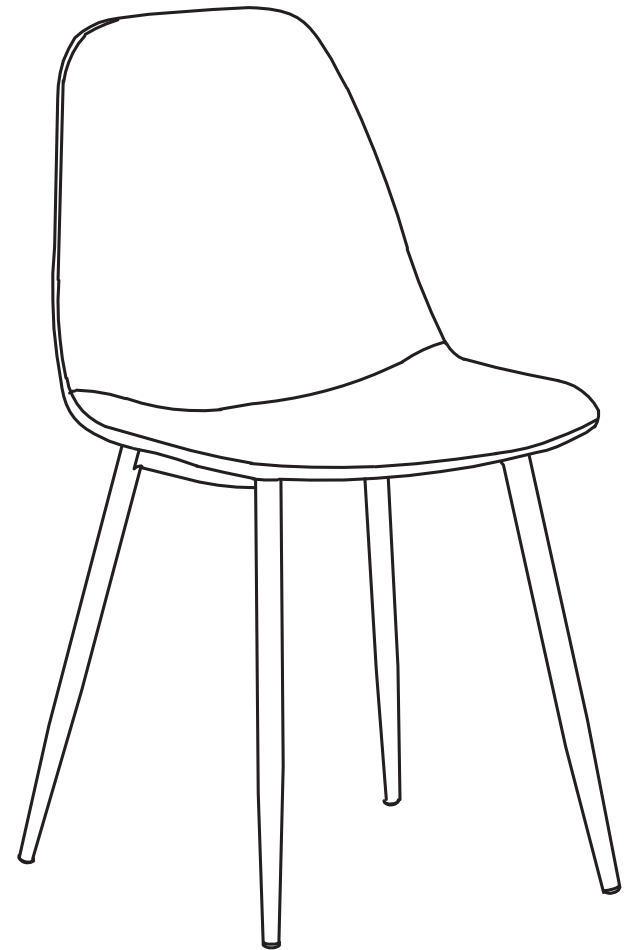
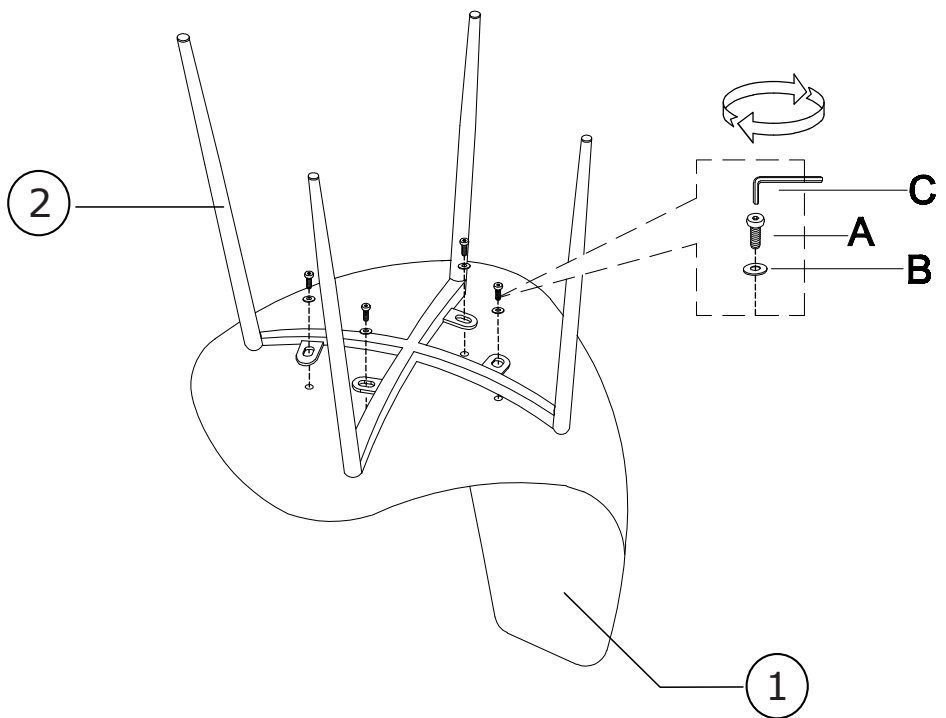


# GILDA CHAIR



1



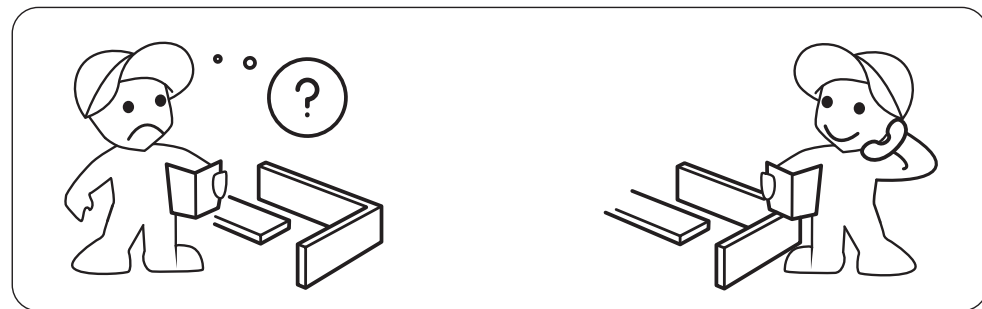
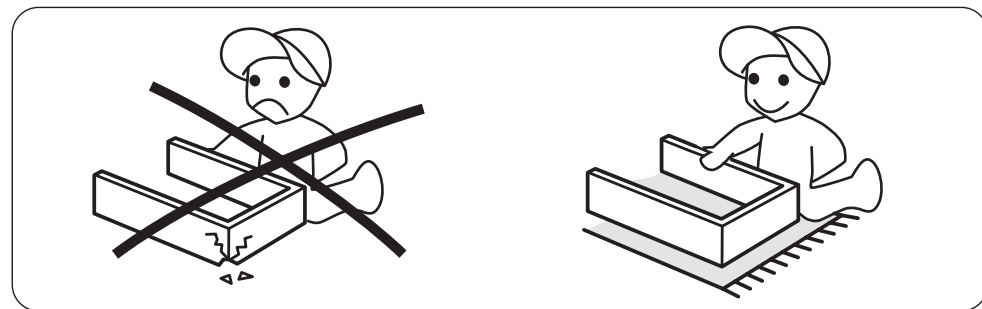
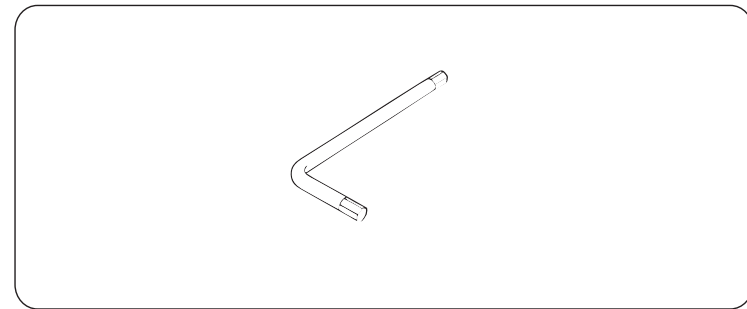
**Bx4**

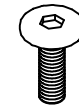
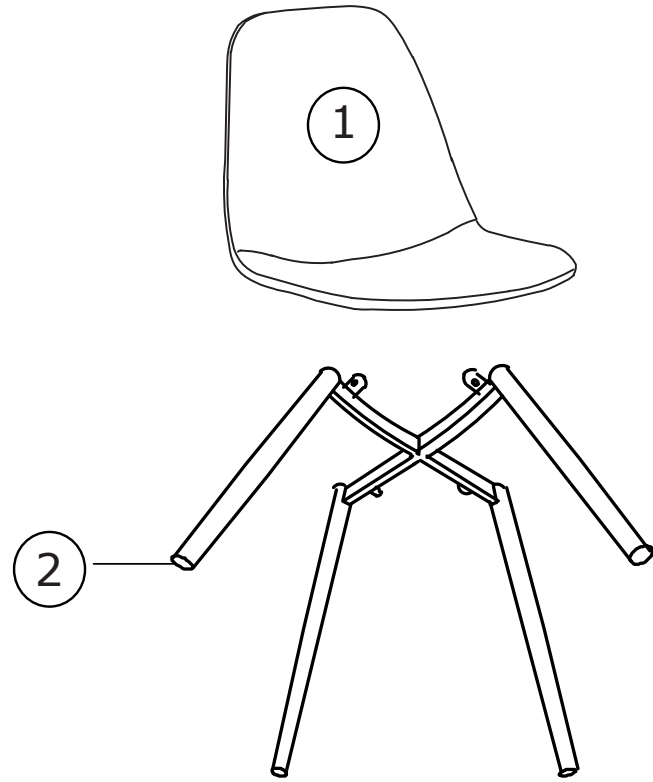


**Ax4**



**Cx1**





Ax4  
16mm



Bx4  
M6xΦ16mm



Cx1  
M5