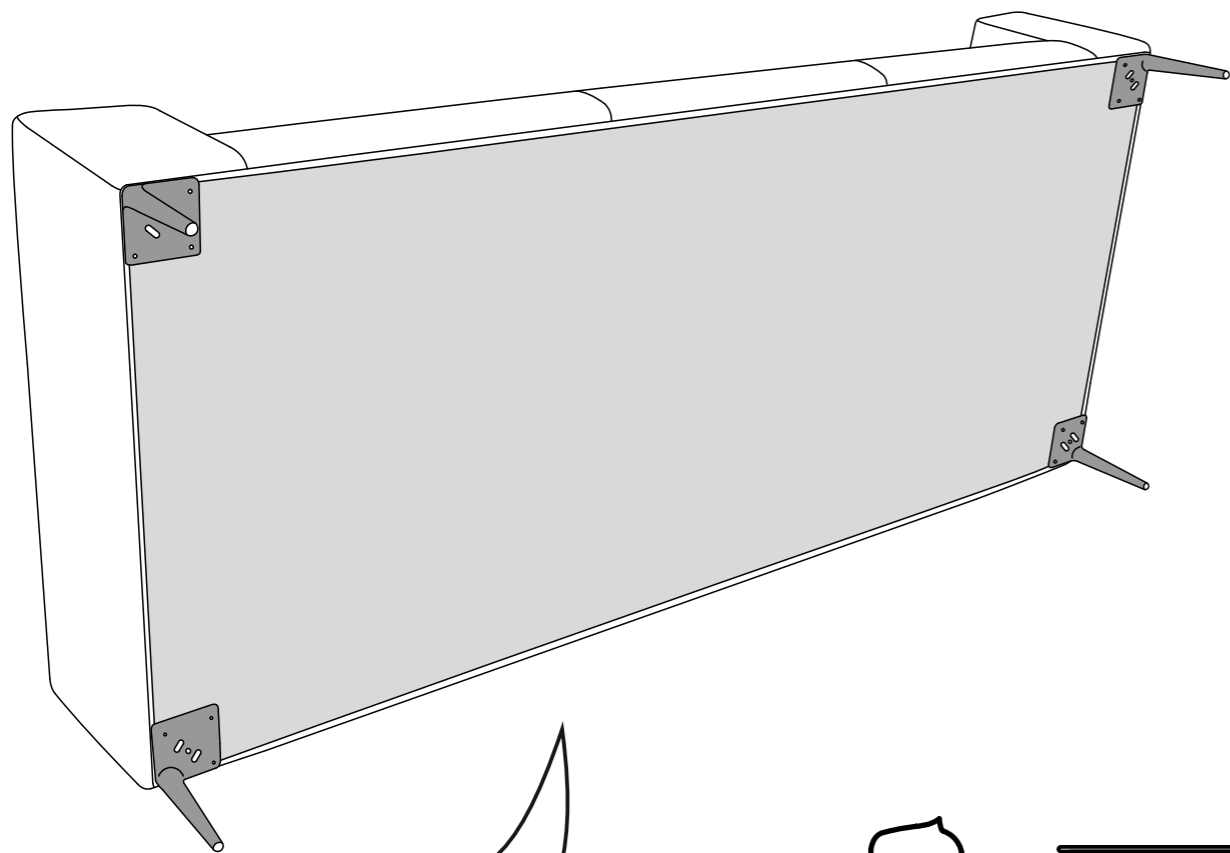


# Jotex

## ASSEMBLY INSTRUCTIONS

1665025 / 3-SEATER



**1114 - CANAPÉ 3P FIXE**

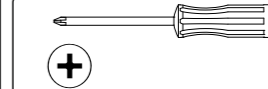
V01 - 12/02/2021



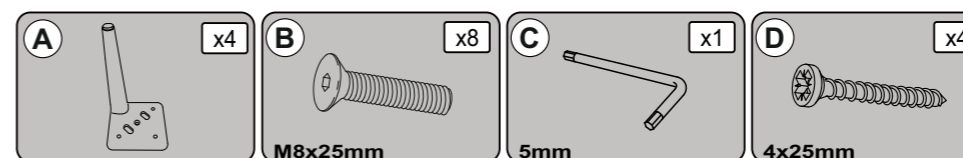
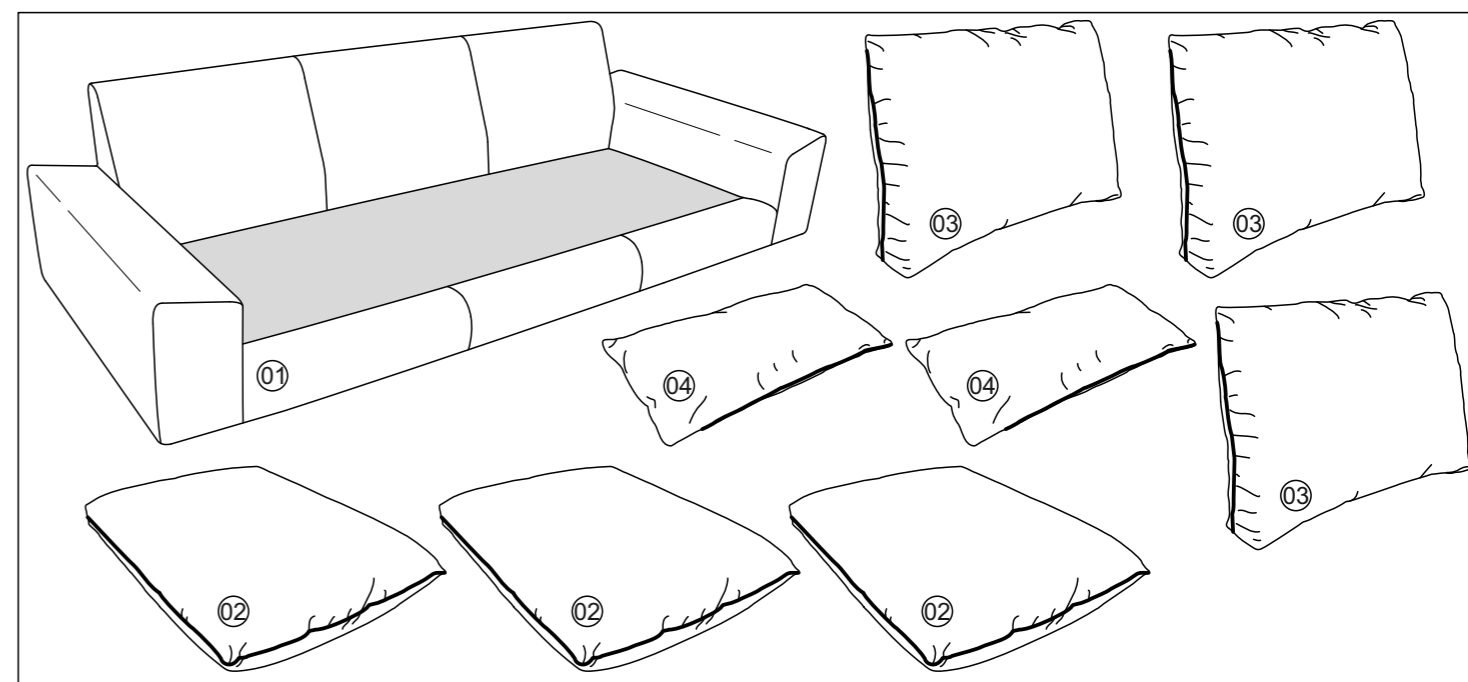
10 MIN.



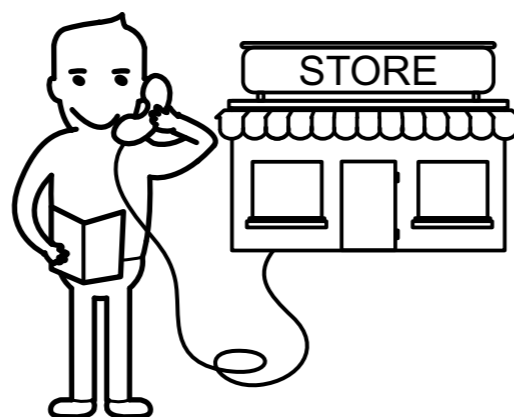
x2



BEFORE STARTING, REFER TO THE ASSEMBLING ADVICE IN ANNEX



Etiqueta de Rastreabilidade	
Código do item	
Nome artigo	
Q.M.	
ID (formato YYWW)	
Revestimento+Cor	
Nº de rastreabilidade	



### ENGLISH

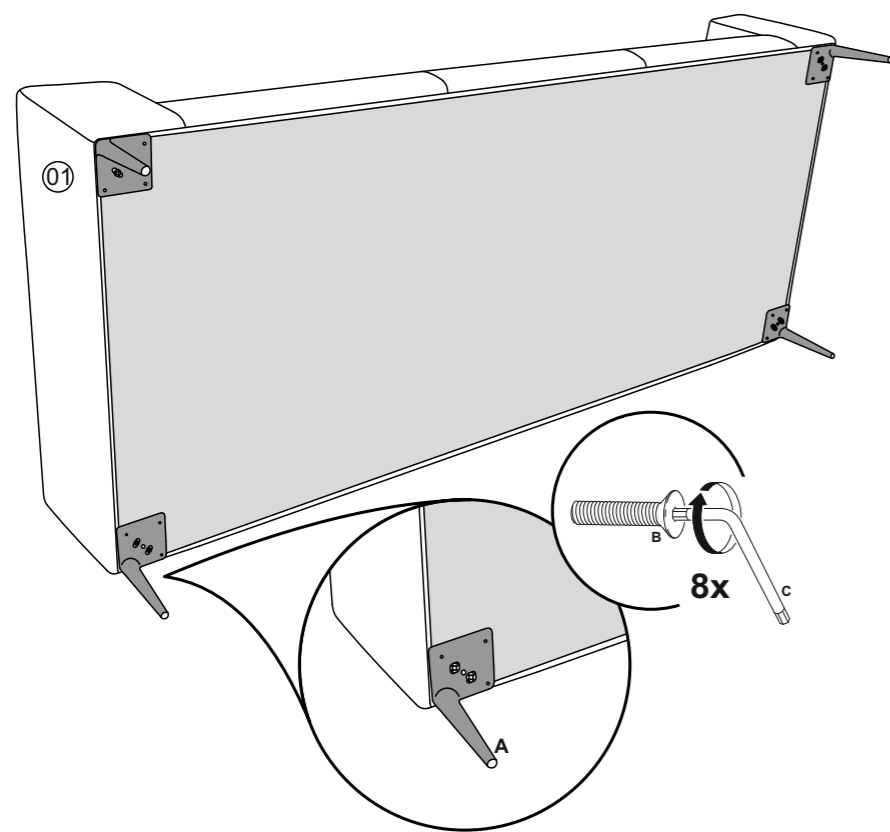
In case of claim, thank you to transmit the information of the label fixed on the article;

# Jotex

## ASSEMBLY INSTRUCTIONS

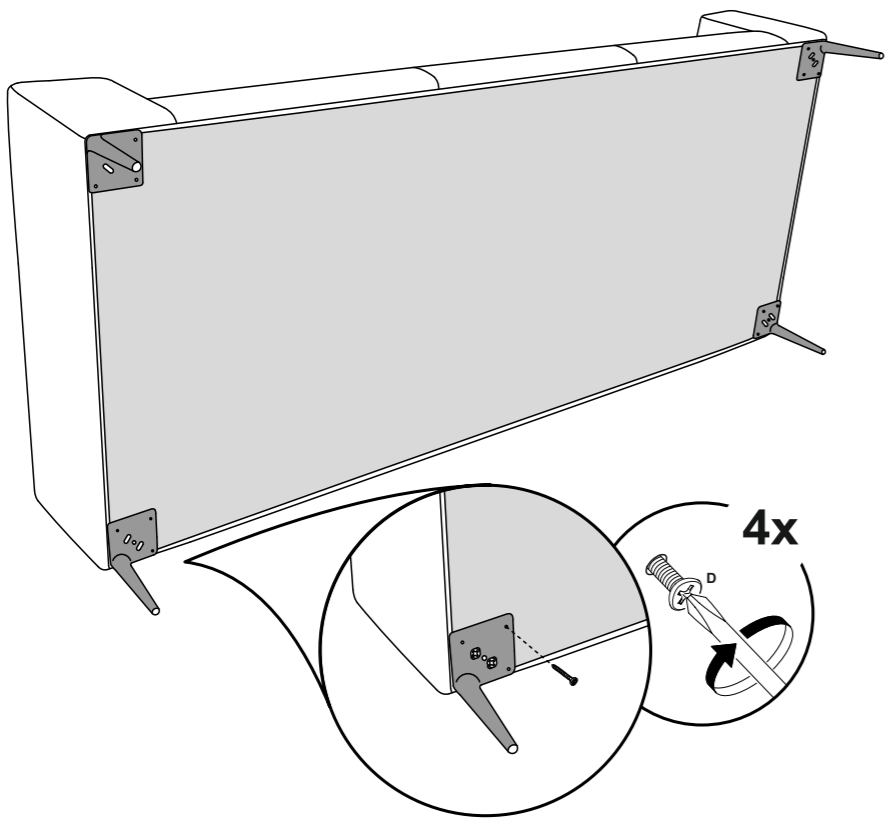
1665025 / 3-SEATER

1



- B** x8  
M8x25mm
- A** x4

2



- D** x4  
4x25mm

# Jotex

## ASSEMBLY INSTRUCTIONS

1665025 / 3-SEATER

3

