

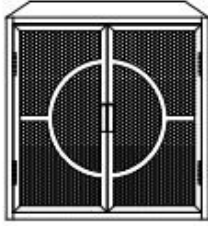
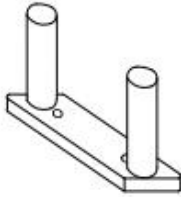

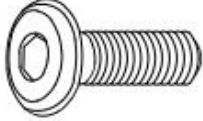

# ASSEMBLY INSTRUCTION

ITEM NAME - Pablo Cabinet, Nature, Mango

ITEM NO.- 82051087

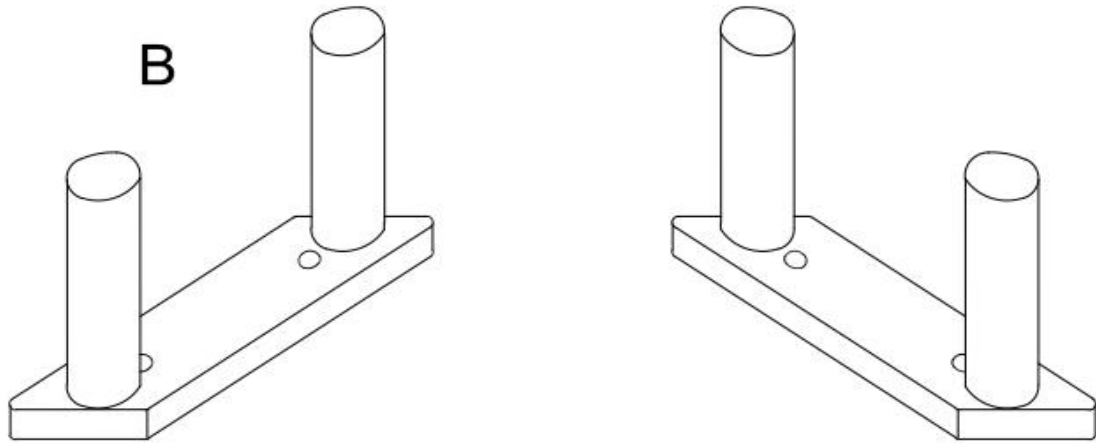


# COMPONENT LIST

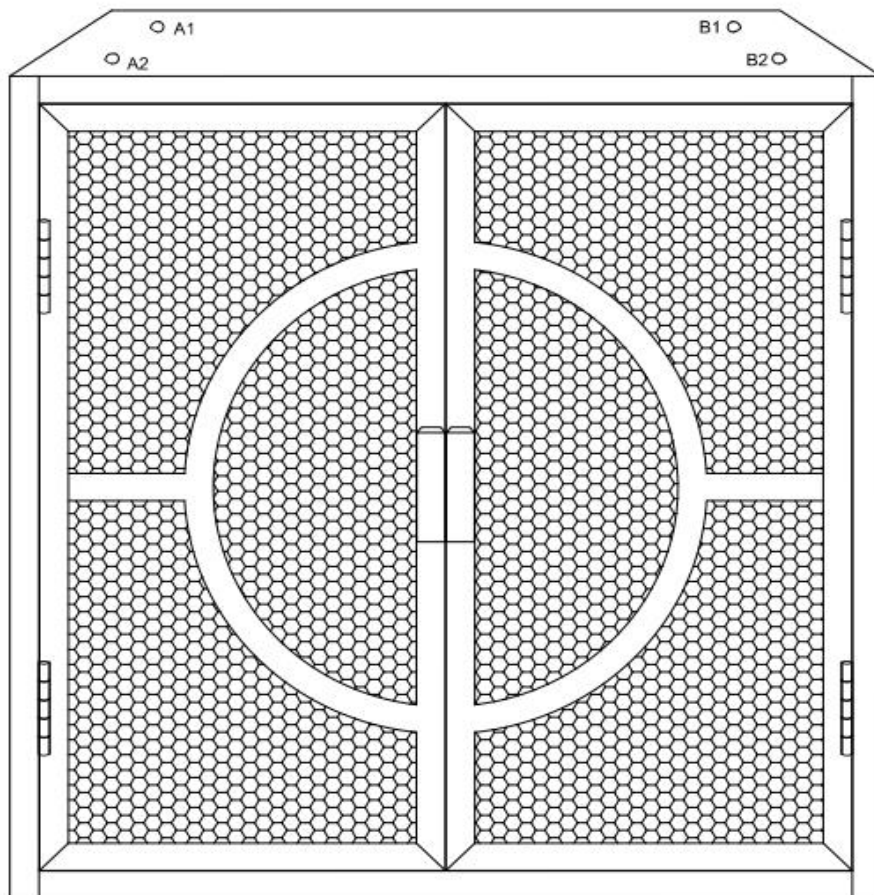
A	 x1
B	 x2
C	 x1
D	 x4
E	 x4

# INSTRUCTION

## Step 1

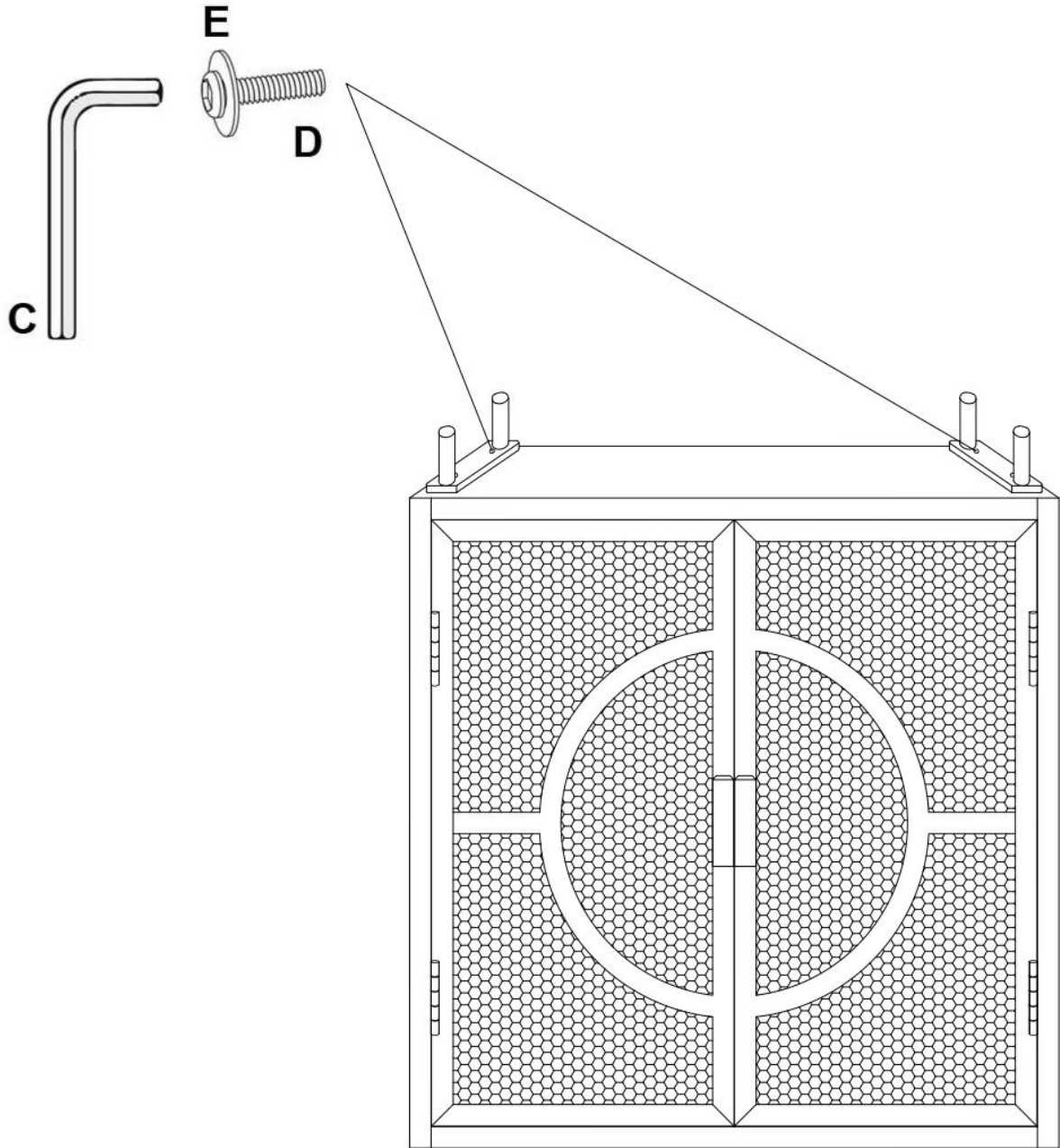


**A**



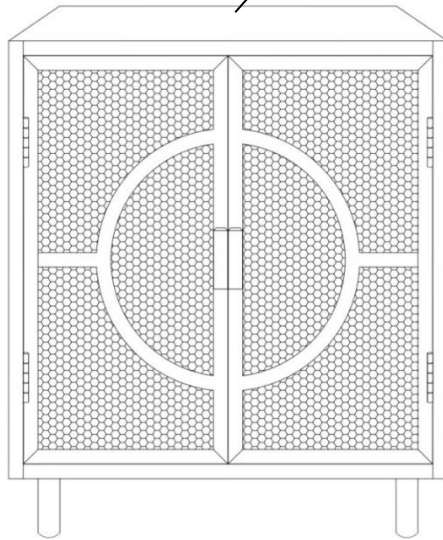
# INSTRUCTION

## Step 2





60 kg/132 lbs



20 kg/44 lbs

