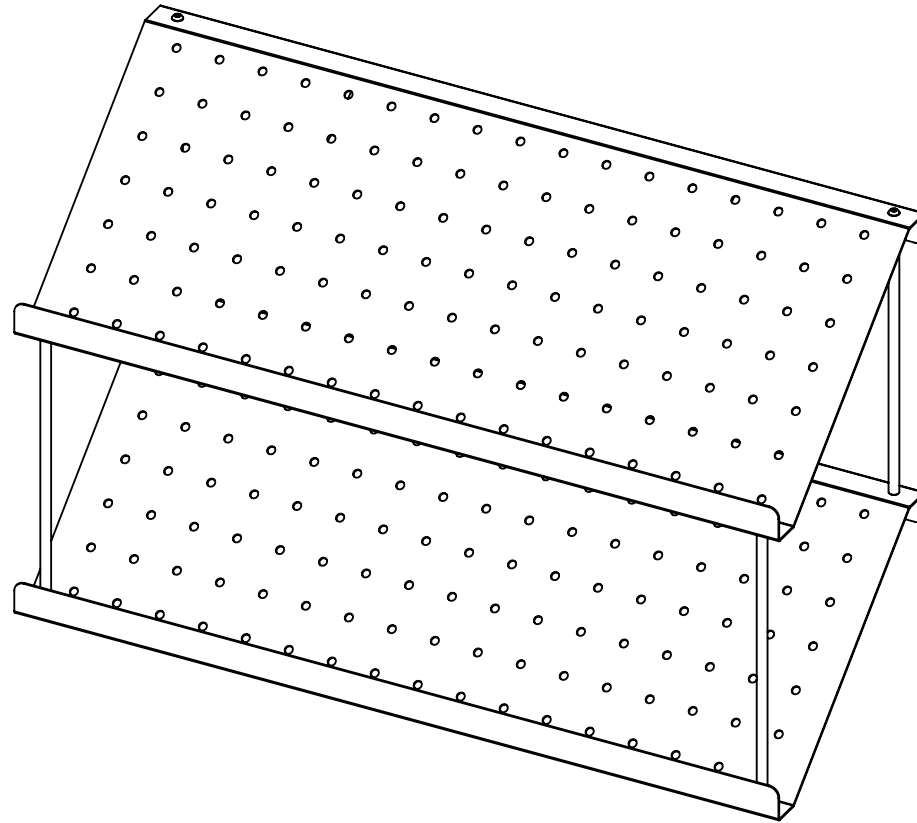
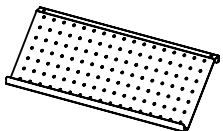


Assembly Instruction
1667416-01-0

Jotex

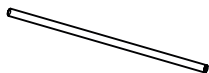


1.



2x

2.



4x

3.



M6x15

8x

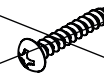
4.



4mm

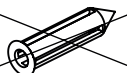
1x

5.



2x

6.

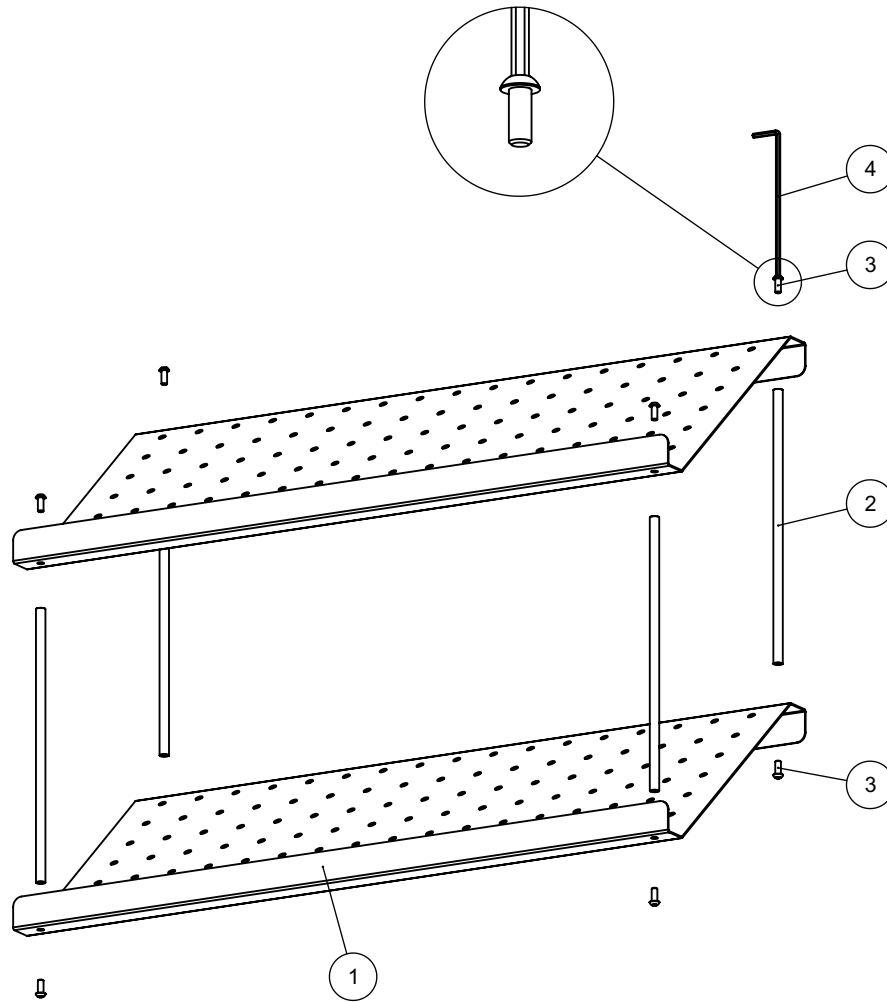


2x

Assembly Instruction
1667416-01-0

Jotex

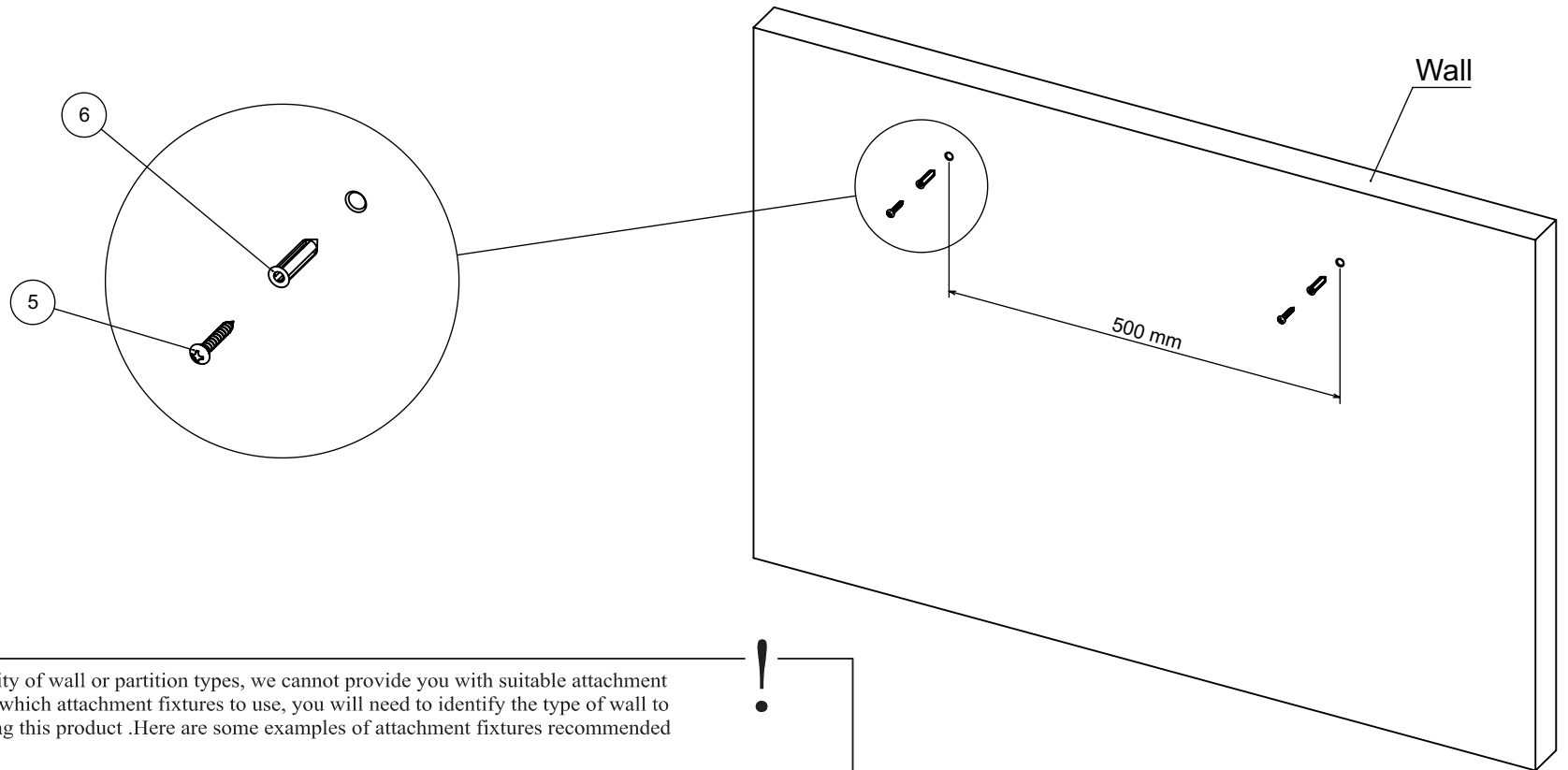
1.



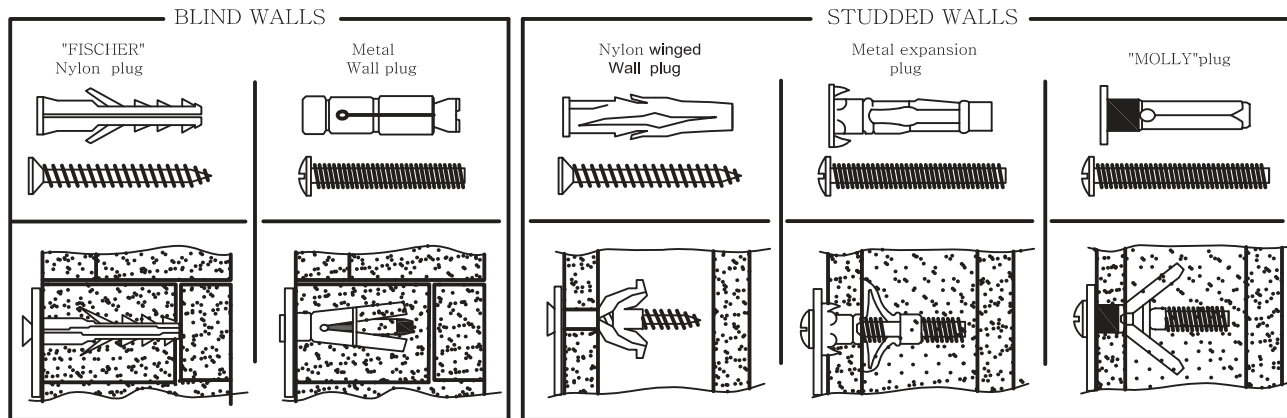
Assembly Instruction 1667416-01-0

Jotex

2.



Due to the wide diversity of wall or partition types, we cannot provide you with suitable attachment fixtures. To determine which attachment fixtures to use, you will need to identify the type of wall to which you will be fixing this product. Here are some examples of attachment fixtures recommended for :



Use a drill bit that is compatible in size with the hardware used and the type of wall

3.

