

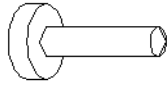
ASSEMBLY INSTRUCTION

Storage Box w/Wheels, Nature , PAULOWNIA

82051126



Component List



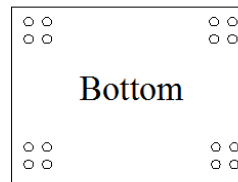
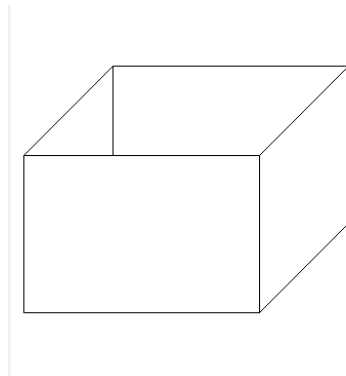
X32pc s



X4pcs



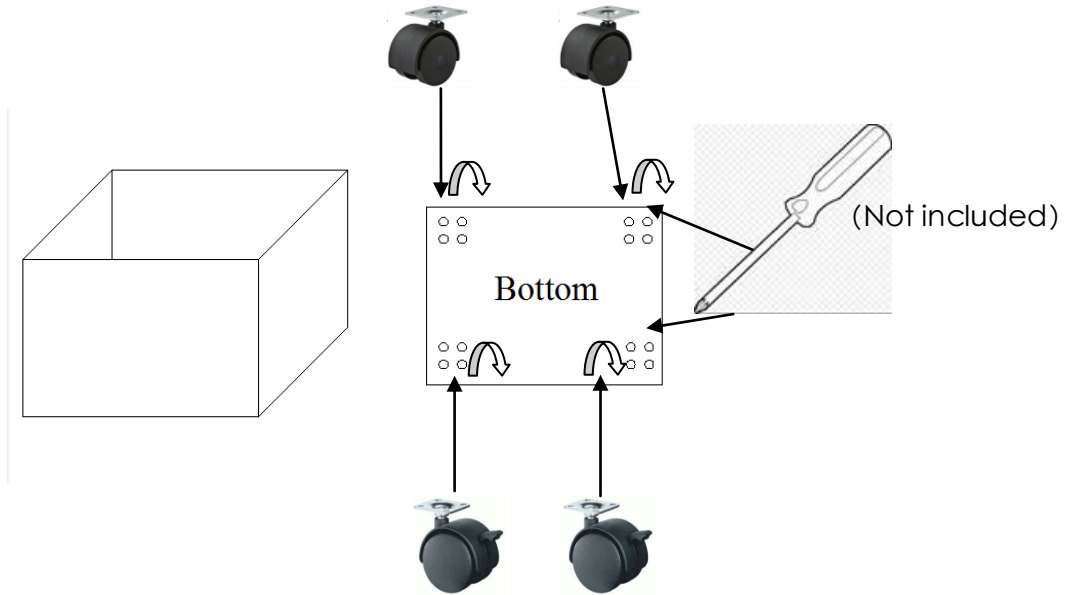
X4pcs



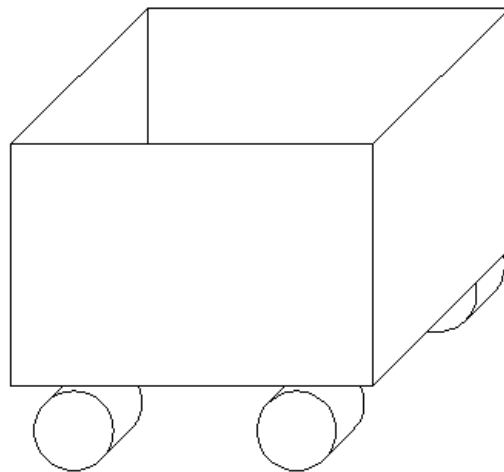
X2pc

INSTRUCTION

Step 1



Step 2



Finished



5.0kg/11.0 lbs

