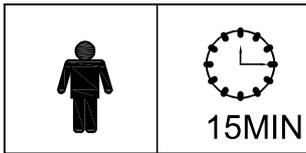
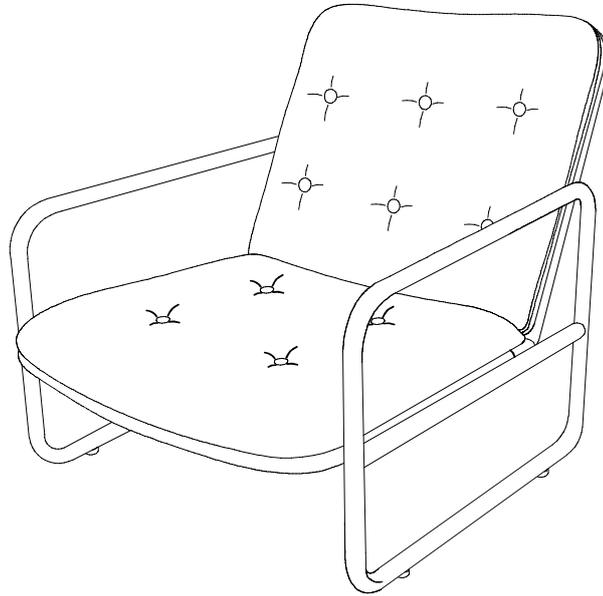
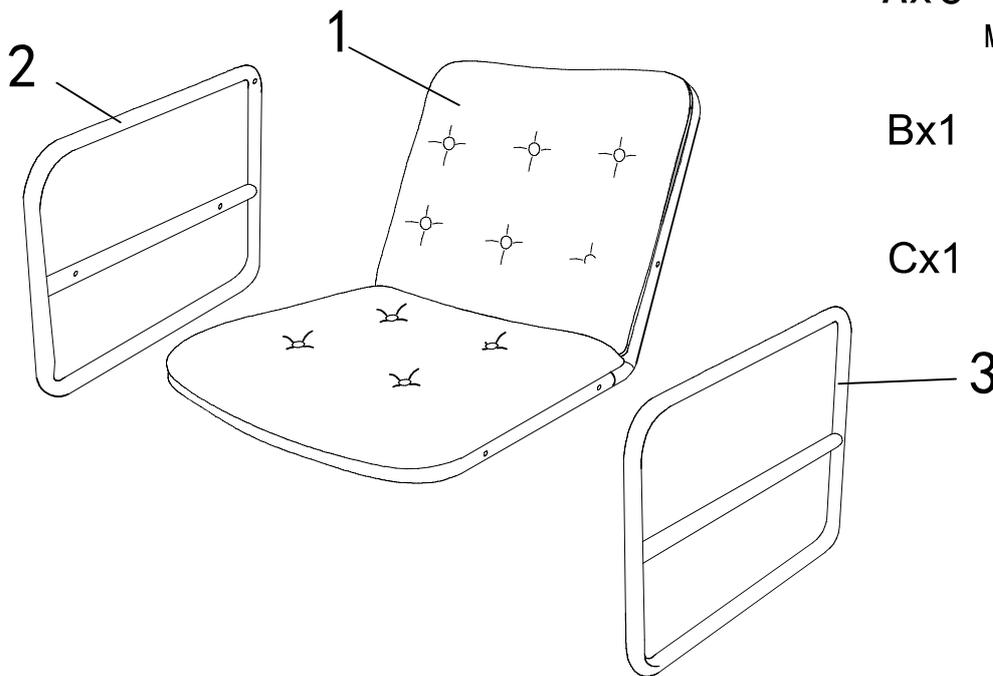


## Assembly Instruction



1



2

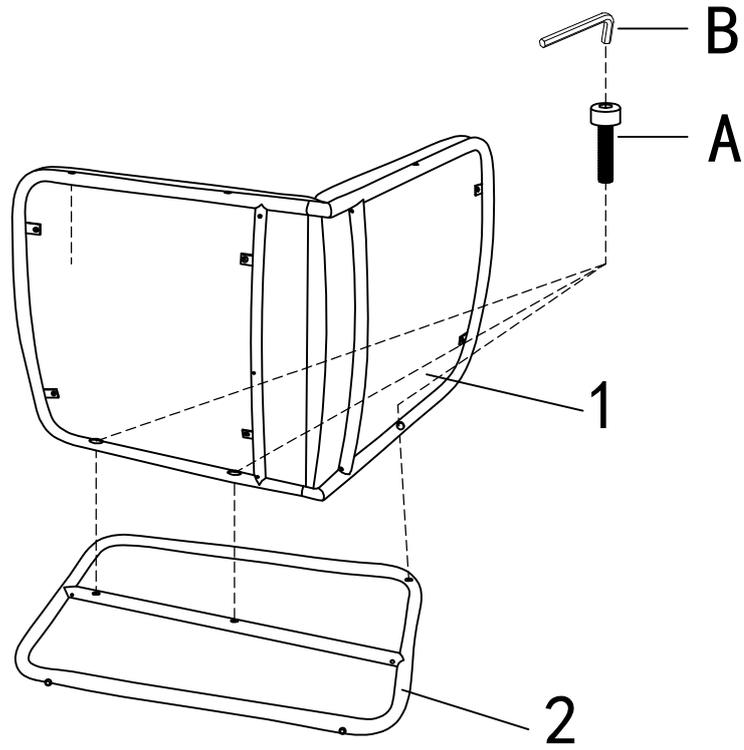
Ax6



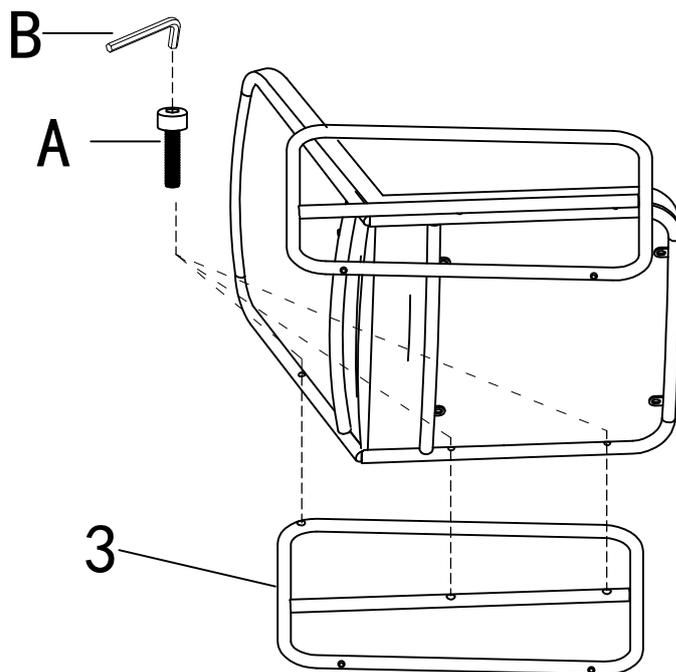
Bx1



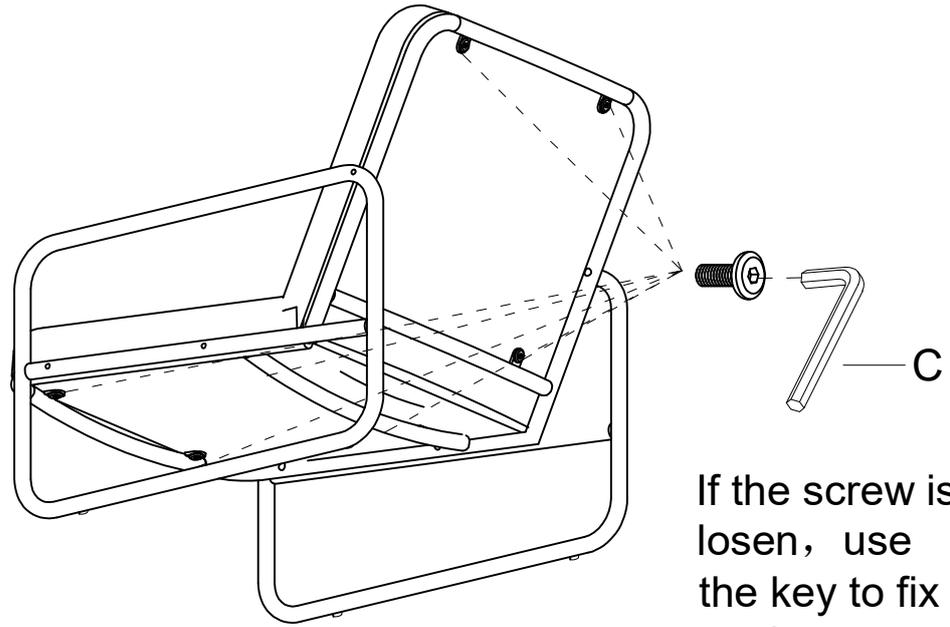
Cx1



3



4



If the screw is  
loosen, use  
the key to fix it  
again

5

