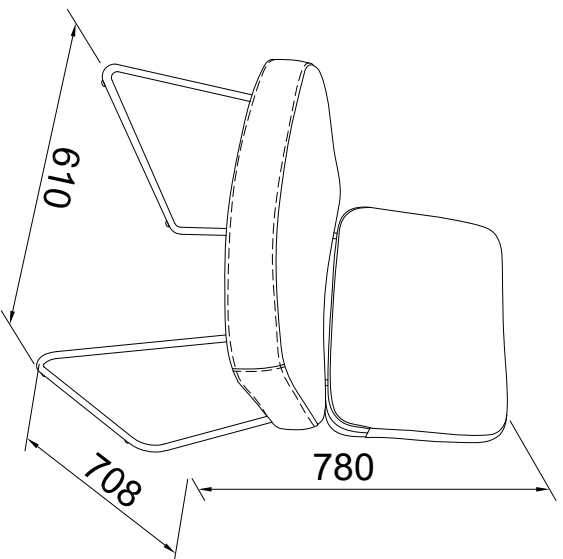
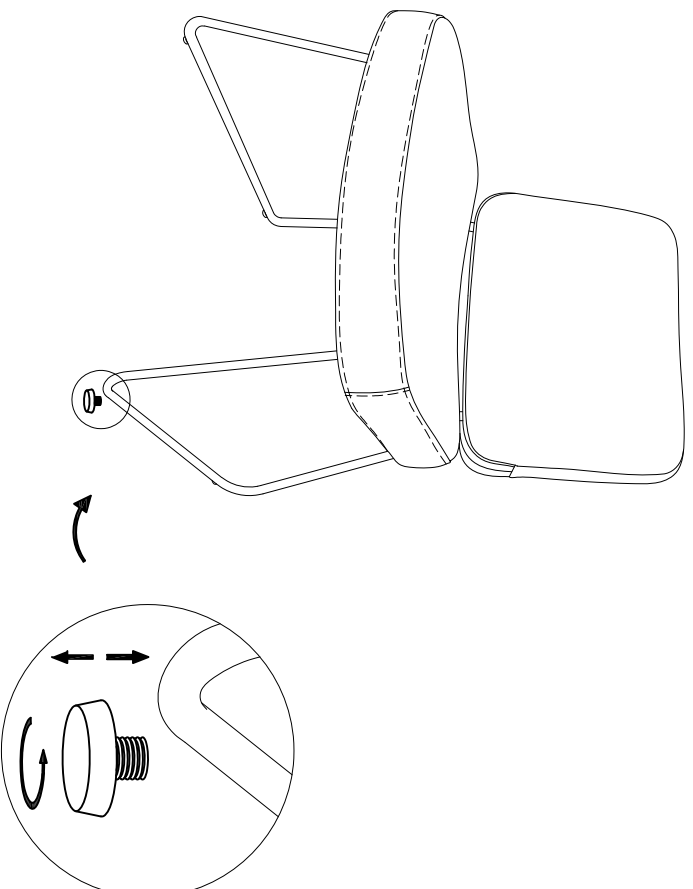


Assembly Instruction



1



adjust the foot to the same level