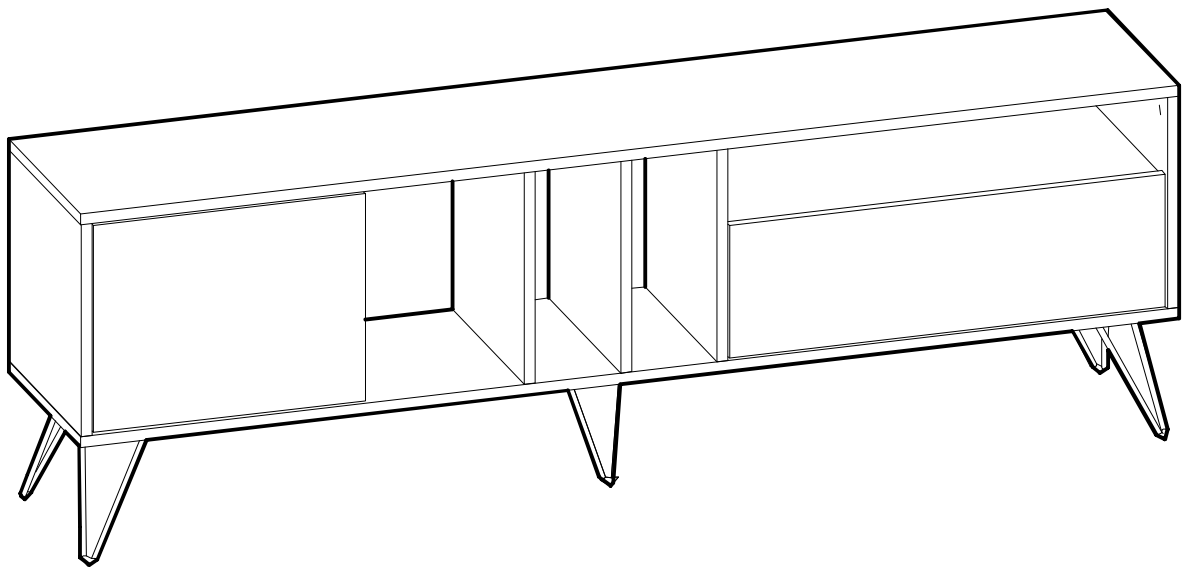


MISTICO 1800

Assembly Instruction



You may reach us via assembly@decorotika.com for assembly questions. For all other inquiries please contact directly with marketplaces which you have placed your order.

You may also reach us via assembly@decorotika.com for all inquiries regarding the orders you have placed on www.decorotika.us. Please mention your order number in your e-mail. Thanks for choosing our products.

e-mail: assembly@decorotika.com

The US Phone: +1 302 327 8923
Europe Phone: +90 553 966 7517

Working Hours: Mon- Fri (09 am - 05 pm)
Working Hours: Mon- Fri (07 am - 05 pm)



Valued Customer,

We design and carefully manufacture our products for our customers, We wish that our customers to have fun while they are doing their new furniture

The product you just purchased was subjected to all sorts of tests and controls before sending out to you.

Hope you enjoy your new furniture.

Değerli Müşterimiz,

Ürünlerimizi siz değerli müşterilerimiz için tasarlıyor ve özenle üretiyoruz. Müşterimizin yeni ürünlerini kurarken eğlenmesini istiyoruz.

Size kargolamadan önce, satın almış olduğunuz ürünün tüm kontrolleri yapıyor.

Yeni ürününüz evinize çok yakışacak.



Before starting, please check all components and accessories according to the provided list. If you purchased more than one product, to prevent confusion, be sure that you completed the first product, then start the next one. Please make sure that you select correct numbered part and use specific connector to assemble. We do not recommend any modification or rotation in assembly. Please follow the manual carefully.

Kuruluma başlamadan önce, lütfen tüm aksesuarları elinizdeki kurulum talimatına göre kontrol ediniz. Eğer birden fazla ürün satın aldıysanız, karışıklığı önlemek için lütfen ürünleri ayrı ayrı kurunuz. Bir ürünü kurmadan önce diğer ürüne başlamayınız. Ürünü kurarken kurulum talimatına göre hareket ediniz. Ürünüze ekleme yapmanızı tavsiye etmiyoruz.



Furniture parts are going through several manufacturing procedures. During this process, parts can have little dust or marks. Please clean the parts with damp cloth before assembly to get the best result. Usual cleaning would be suce.

Ürününüz üretilirken pek çok aşamadan geçiyor. Bu süreç boyunca üzerinde toz ve bazı işaretler olabilir. Tozları temiz ve nemli bir bez ile silebilirsiniz. İşaretleri ise tiner yardımıyla çıkarabilirsiniz.



Although all products are carefully manufactured and packed, sometimes we experience damage during transportation. In such cases, please check the damaged part, note the part number written on the part and do not hesitate to contact us

Ürünlerimiz özenle üretilmesine ve dikkatle paketlenmesine rağmen, bazen taşıma esnasında hasar meydana gelebilir. Böyle durumlarda hasar gören parçayı kurulum talimatı yardımıyla tespit ederek bizden isteyebilirsiniz. Bir sorunla karşılaştığınızda bizimle iletişime geçmekten çekinmeyiniz.

Do not use your furniture for out of purposes. If you would like to use it out of purpose or would like to do some modification or rotation, please contact us for more details.

Lütfen ürününüzü kullanım amacı dışında kullanmayınız. Böyle durumlarda üretici firma hiçbir sorumluluk kabul etmemektedir.

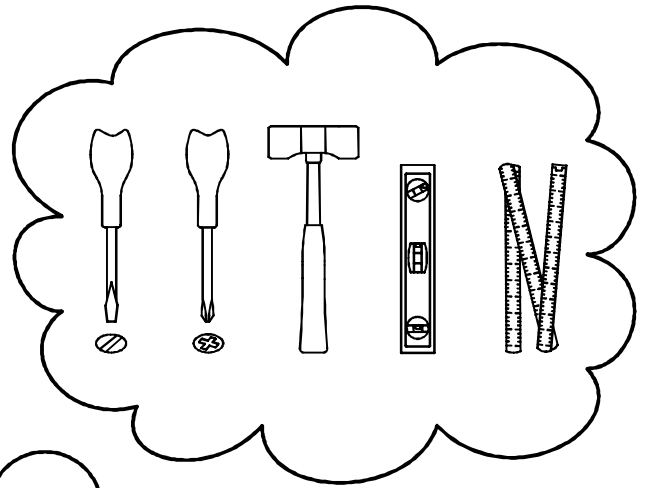
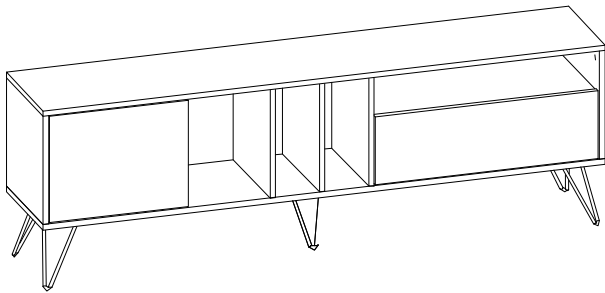
Please do not expose your furniture to excessive heat, cold and humidity because product can be aected negatively.

Ürünü uzun yıllar boyunca kullanmak istiyorsanız, aşırı ısıya, soğuğa ve neme maruz bırakmayınız.

If you need your product to mount on the wall, Please use suitable rawlplug for your wall type. We send you rawlplugs suitable for concrete and brick walls.

Eğer ürününüzü duvara monte etmeniz gerekiyorsa, Gönderilen dübel beton duvarlara uygundur. Lütfen duvar tipinize uygun dübel temin ediniz.



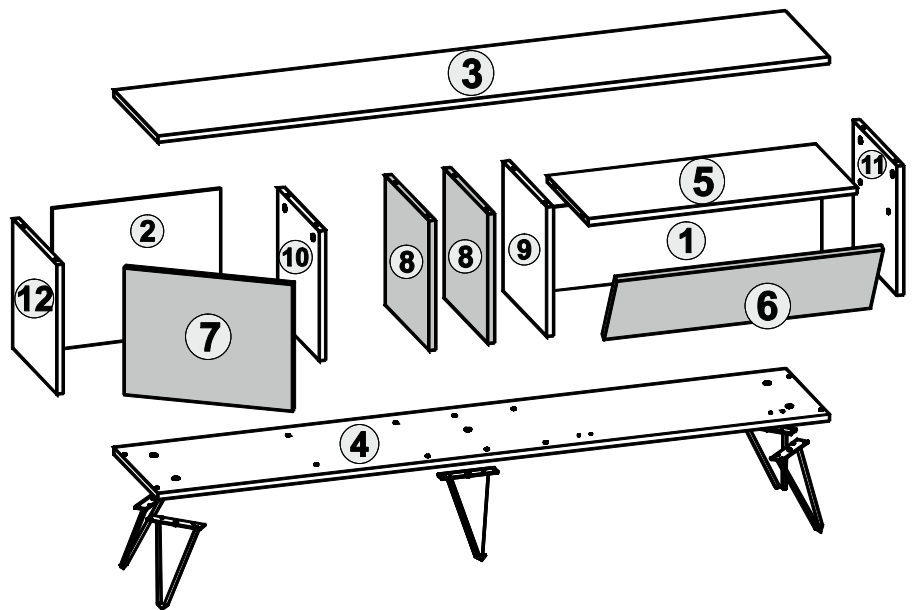


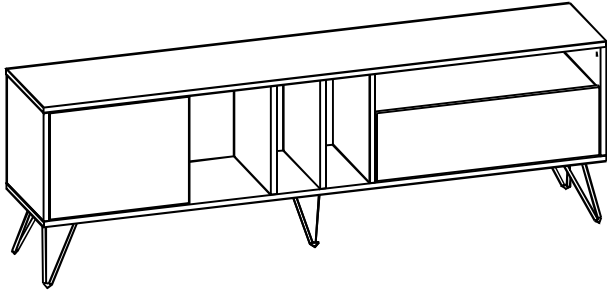
MISTICO

Disassembled Parts

Part#1	1x
Part#2	1x
Part#3	1x
Part#4	1x
Part#5	1x
Part#6	1x
Part#7	1x
Part#8	2x
Part#9	1x
Part#10	1x
Part#11	1x
Part#12	1x

Total **18x**





MISTICO

Tools & Installation Components



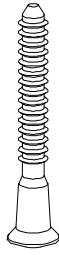
A23 Q10 minifix screw

16x



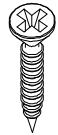
A02 15x14 minifix head

16x



A17 6x50 screw

12x



A19 3,5x18 screw

36x



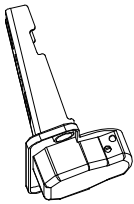
A21 Q15 sticker

12x



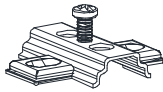
A21 Q15 sticker

4x



A21 concealed hinge base

4x



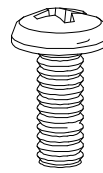
A24 aks37 hinge mounting plate

4x



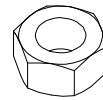
A28 nail

16x



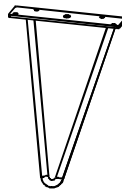
A19 m6x20 bolt

5x



A20 m6 nut

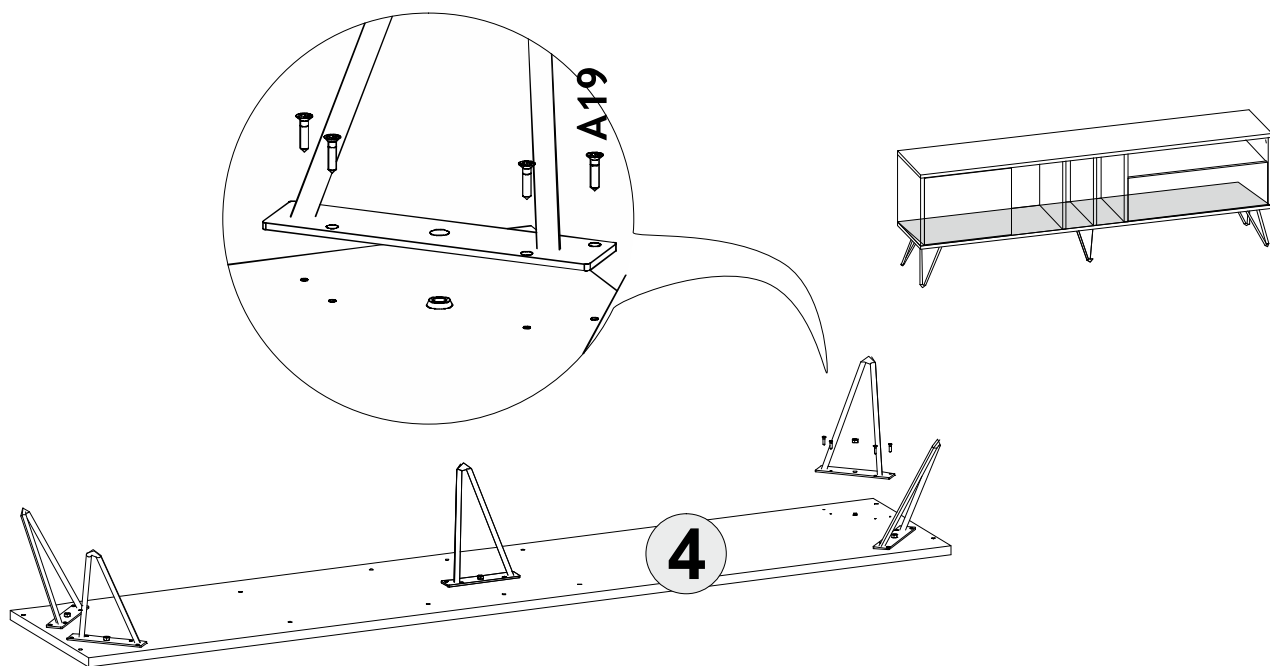
5x



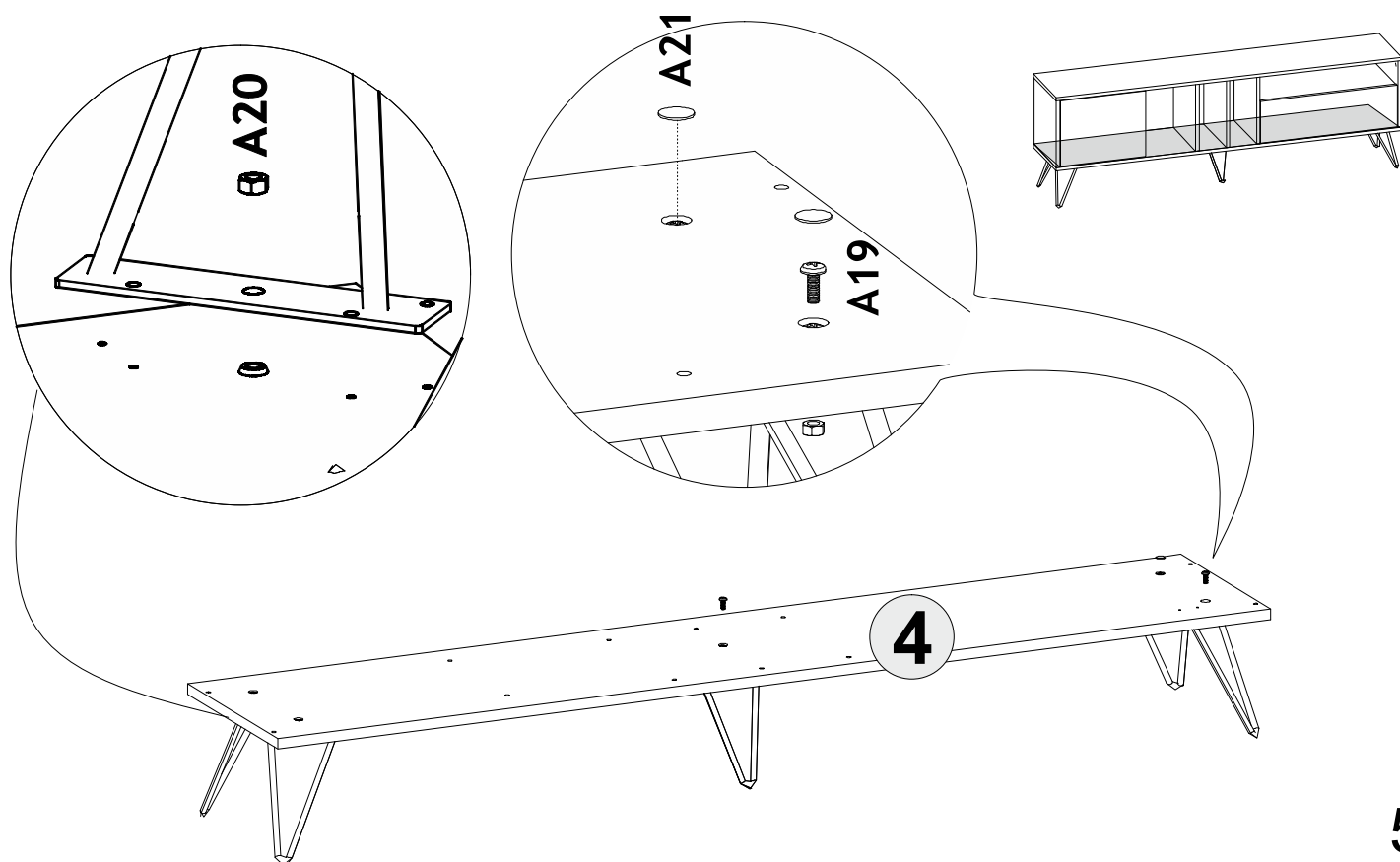
metal leg

5x

Step 1 - Attach 5 metal legs to the wood part 4 using A19 screws as shown below.

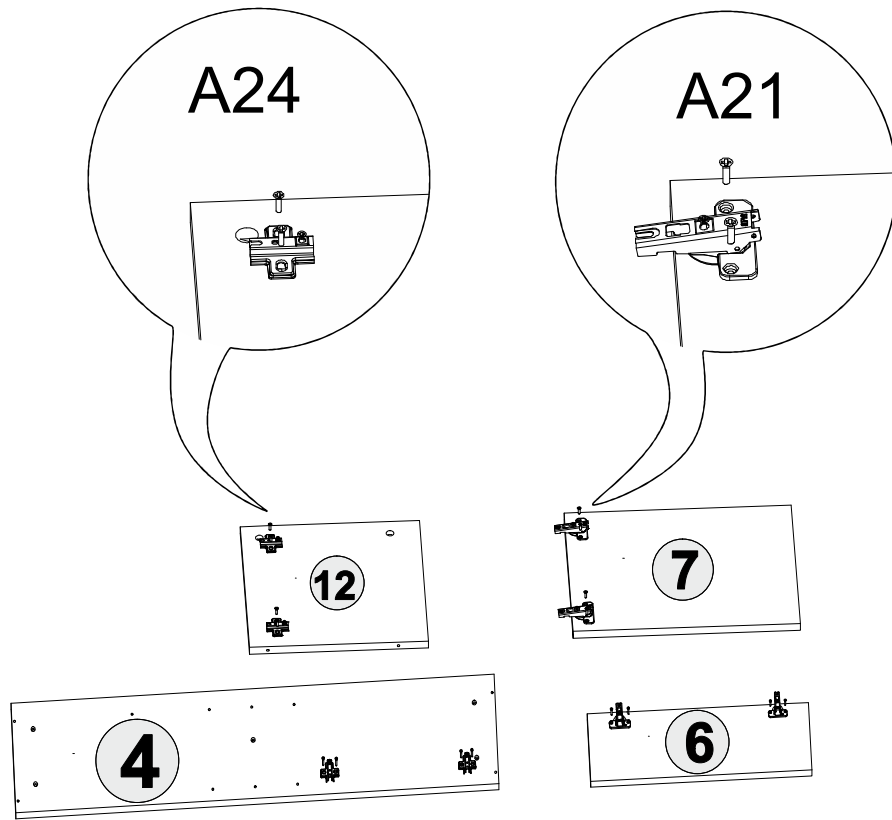


Step 2 - Fasten 5 metal legs to the wood part 4 using A19 bolts and A20 nuts as shown below.
- Cover the A19 bolts' head with A21 stickers for the better look of your TV stand as shown below.



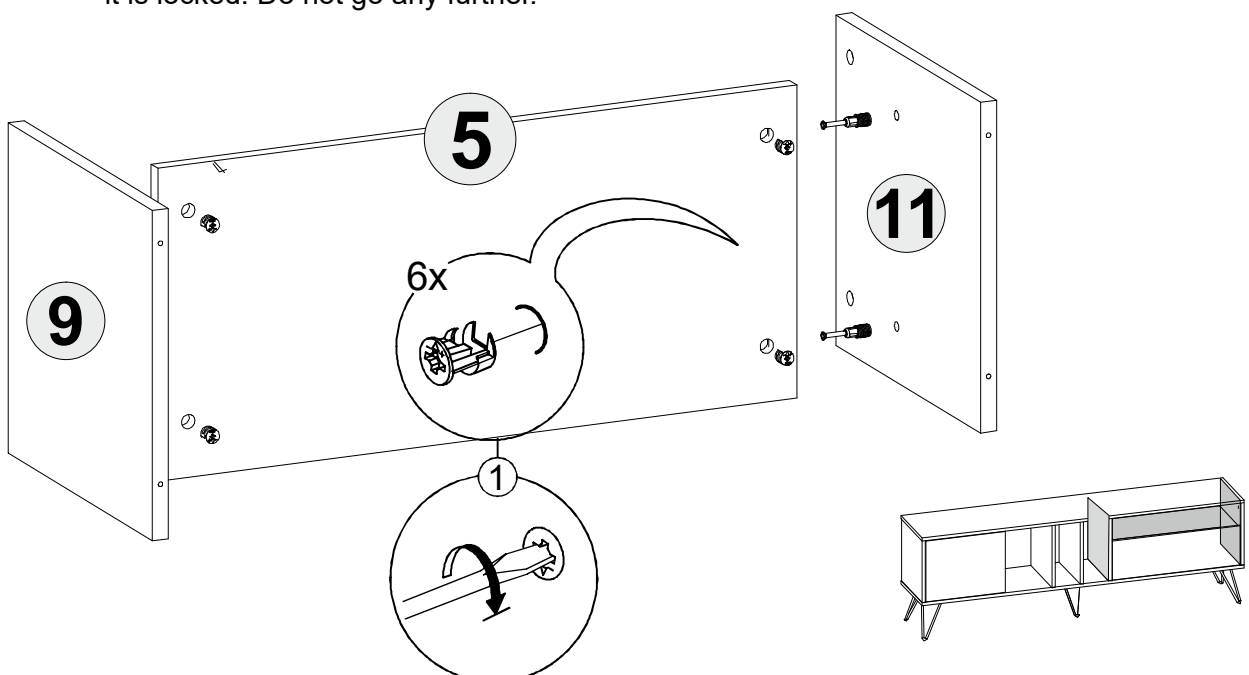
Step 3

- Attach A24 hinge mounting plates to the pre-drilled trace holes of the part 12 and 4 using A19 screws.
- Attach A21 concealed hinge base to the pre-drilled hole of the part 7 and 6 using A19 screws.



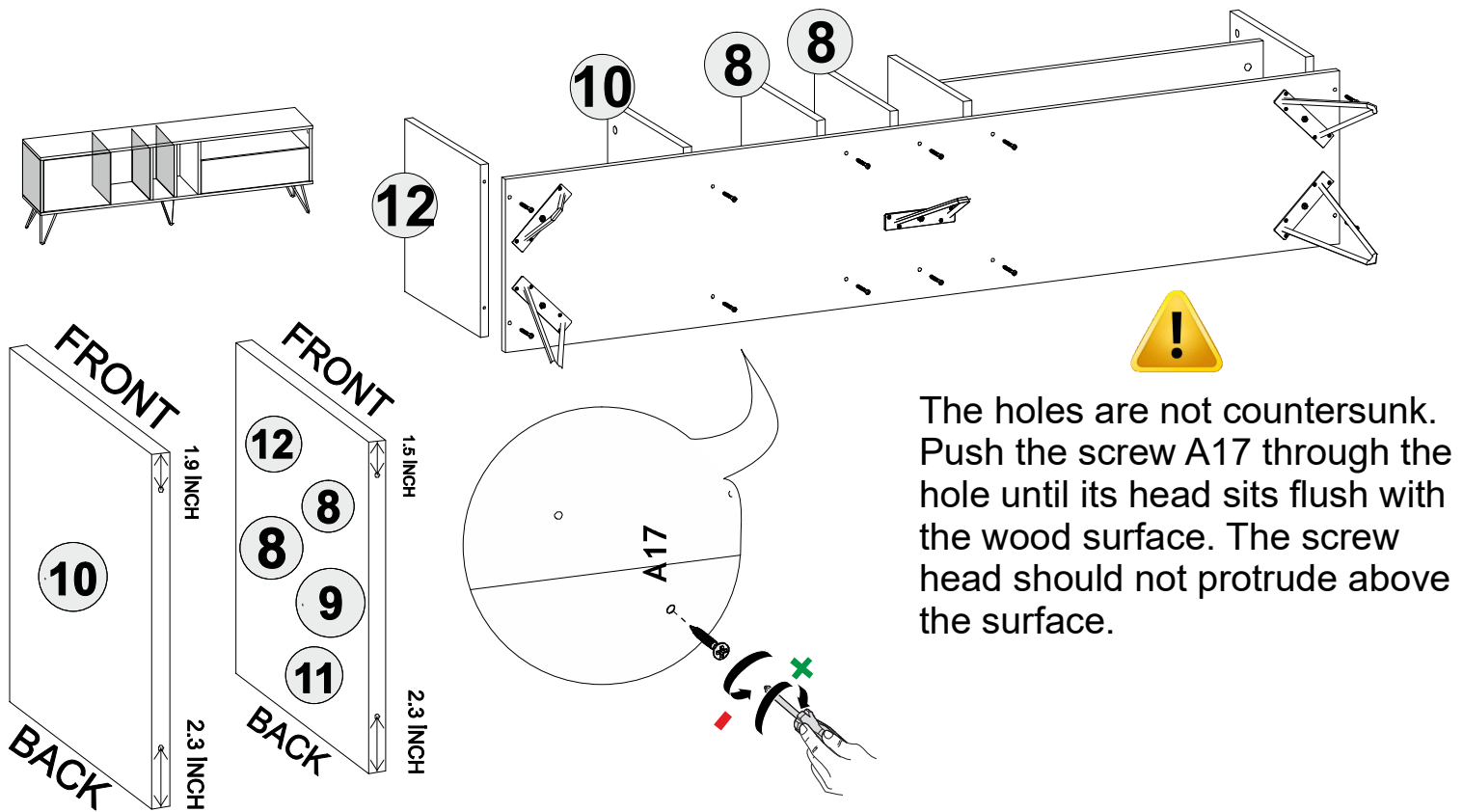
Step 4

- Insert A23 minifix screws into the pre-drilled holes of the part 9 and 11 as shown below.
- Insert A02 minifix heads into the predrilled holes of the part 5. NOTE that the minifix head arrow should show the direction of a hole located on the side edge of the part 5.
- Attach parts 9 and 11 to the part 5 as shown below. NOTE that minifix holes on the part 5 should be the bottom side when installed.
- Screw the minifix head to the + or clockwise direction until it is locked. Do not go any further.



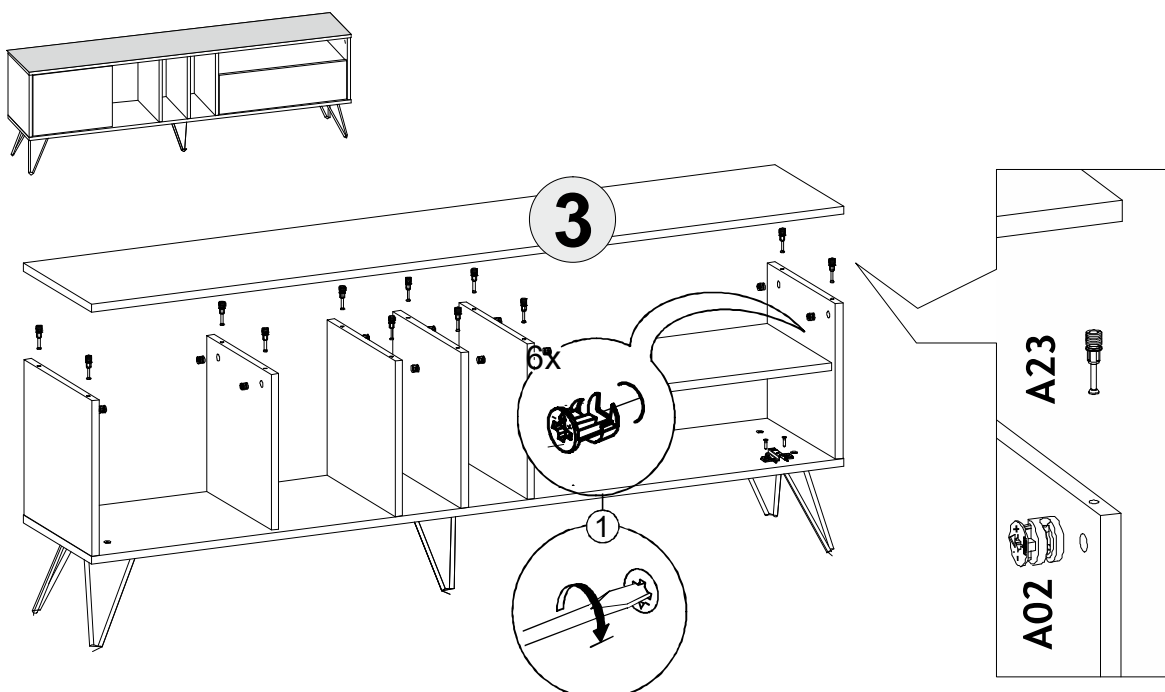
Step 5

- Attach parts 12, 10, 8, 8 and last assembled parts 9/5/11 combination to the part 4 using A17 screws as shown below.
- NOTE that the holes of part 12, 10, 8, 8, 9 and 11 are not in the same distance. Part 12, 8, 8, 9 and 11 holes are located 1.5 inches from the front and 2.3 inches from the back side of the piece. Part 10 holes are located 1.9 inches from the front and 2.3 inches from the back side of the piece.



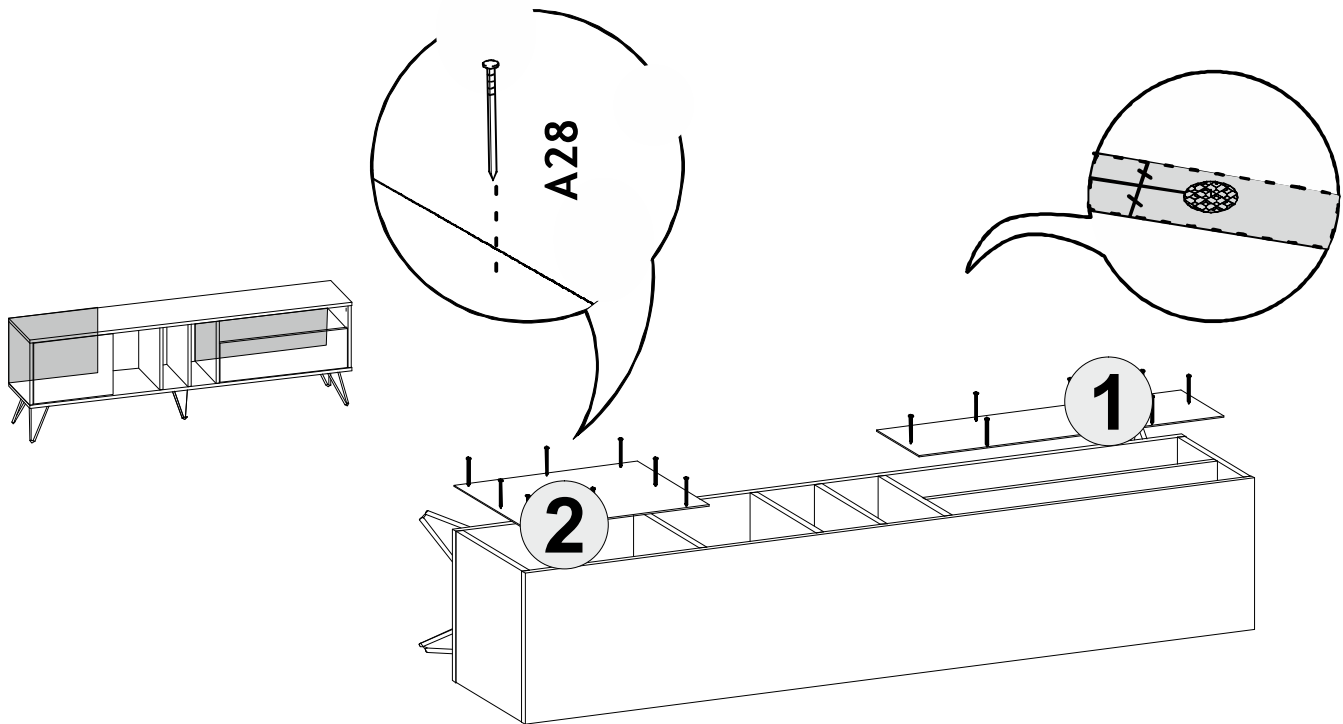
Step 6

- Place the A23 minifix screws into the pre-drilled holes of the part 3.
- Place the A02 minifix head into the assembled part 12, 10, 8, 8, 9 and 11 holes. NOTE that minifix head arrow should show the direction of upper wood hole.
- Attach the part 3 to the body we assembled in the previous steps and screw the A02 minifix heads to + or clockwise direction until it is locked. Do not go any further.



Step 7

Place the back panels (part 2 & 1) as shown below and tap the nail (A28) with a hammer to drive it into the wood. Keep driving the nail until its head is either flush with or below the surface of the wood. Use all the nails given in the hardware pack for best result.



Step 8



- Attach the doors (part 7 & 6) to the TV stand as shown below. Turn a special screw on the hinge mounting plate (A24) to fasten the concealed hinge base (A21) to the hinge mounting plate that you installed in step 3. NOTE that the same special screw on the hinge mounting plate aligns the door depth in the forward and backward direction. The second special screw on the concealed hinge base (A21) aligns the door height in the upward and downward direction. After finishing the assembly, please cover visible minifix heads with A21 sticker for a better look of your TV stand.

