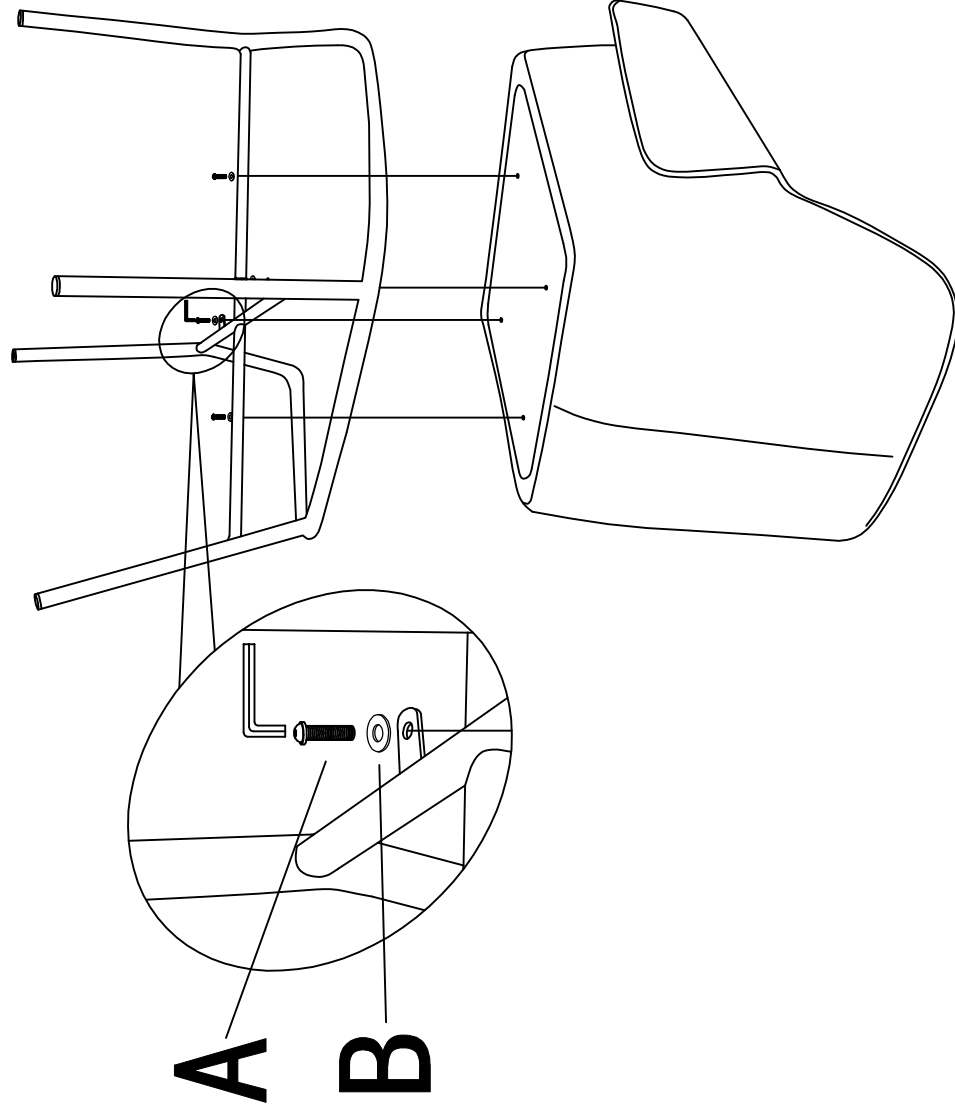


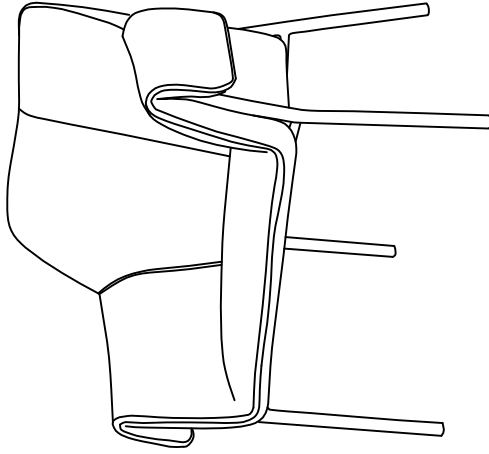


Step:1




A		(M6x30)	x4
B		(Ø17x7)	x4


Finish



0179471



x1



0:10

