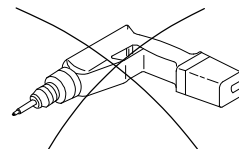
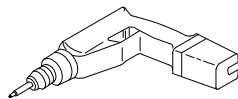
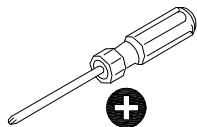
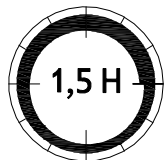
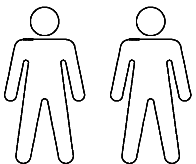
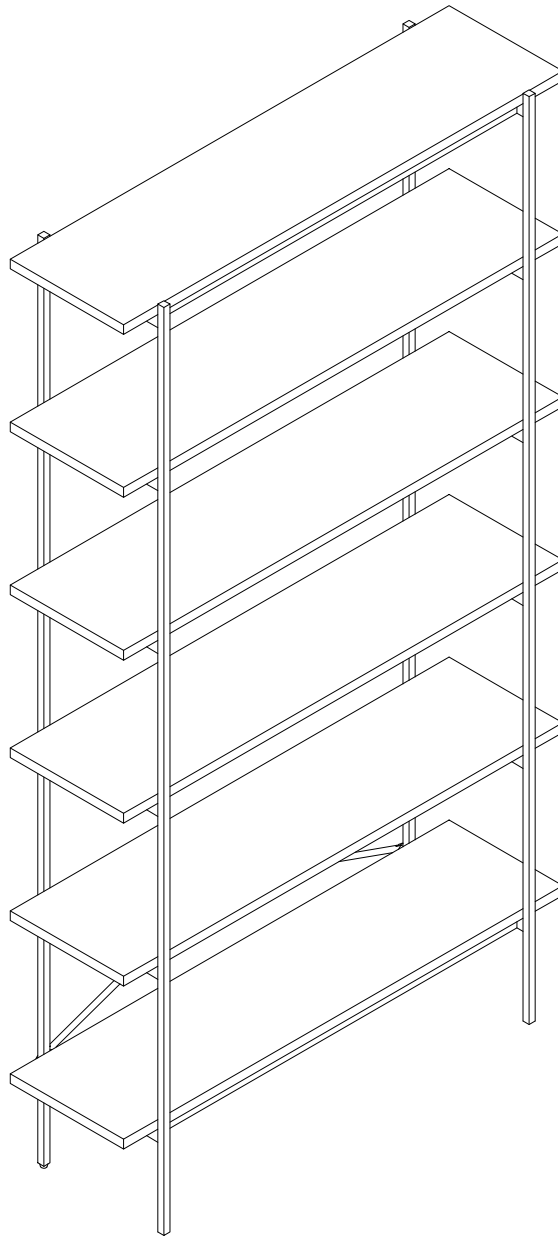
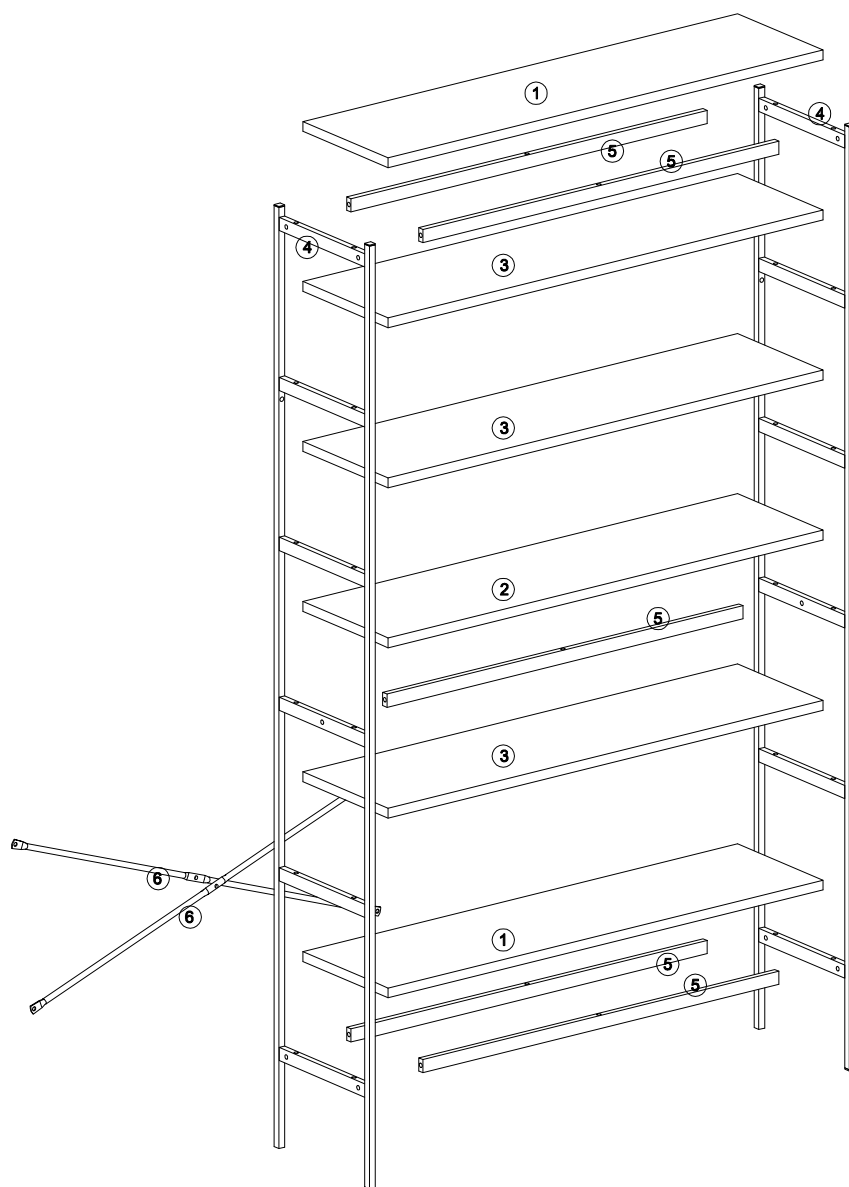


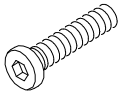
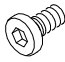
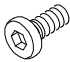

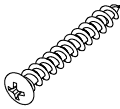
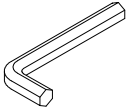

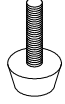
Angus



05/03/2021

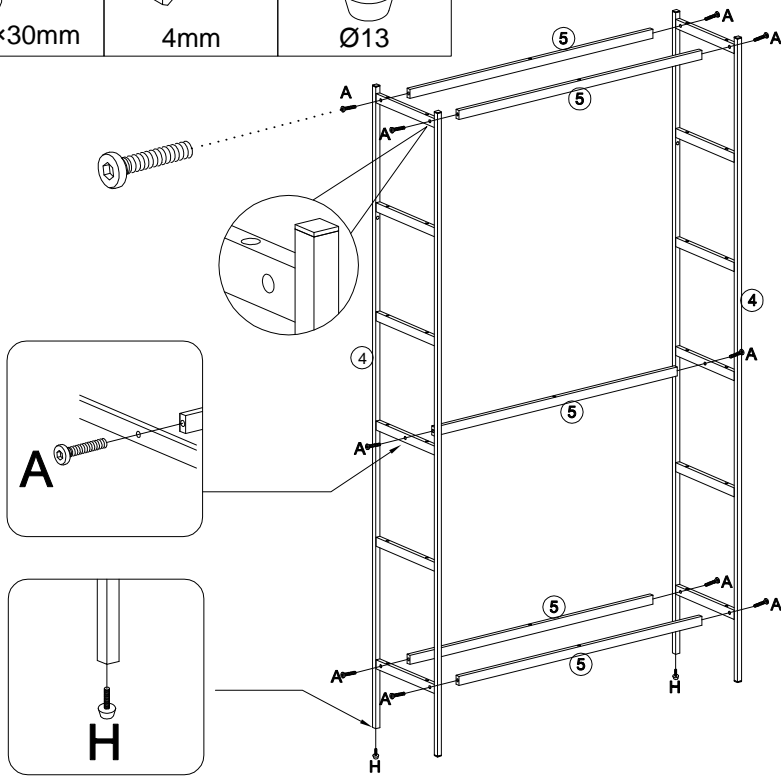
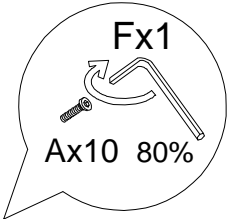
			✓			
①	2	940x242x18		④	2	1720x270x13
②	1	940x242x18		⑤	5	770x24x12
③	3	940x242x18		⑥	2	845x15x10



<p>A x 10</p>  <p>M6×30mm</p>	<p>B x 4</p>  <p>M6×10mm</p>	<p>C x 1</p>  <p>M6×15mm</p>	<p>D x 1</p>  <p>M6</p>	<p>E x 29</p>  <p>4×35mm</p>
<p>F x 1</p>  <p>4mm</p>	<p>G x 1</p>  <p>M6</p>	<p>H x 2</p>  <p>Ø13</p>		

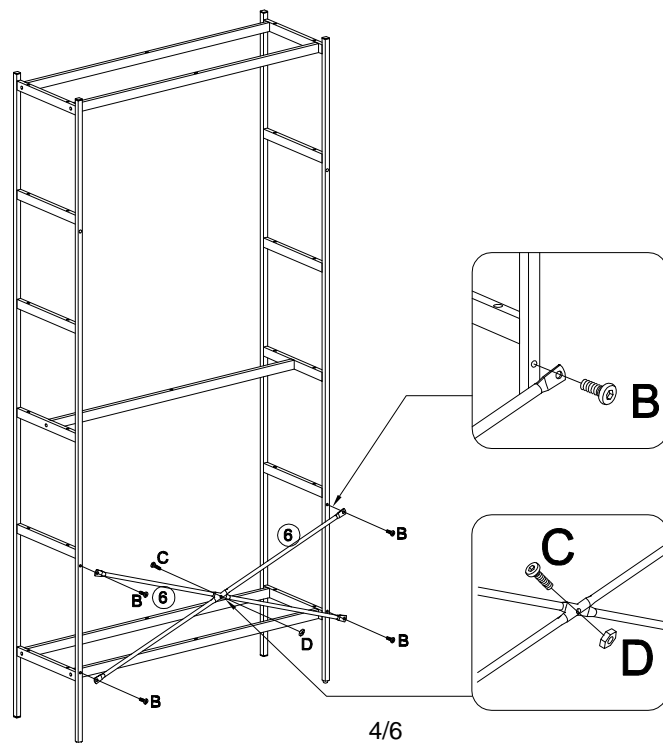
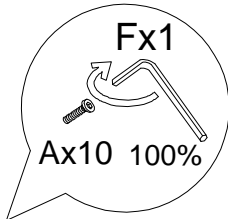
1

A x 10 M6x30mm	F x 1 4mm	H x 2 Ø13
-------------------	--------------	--------------

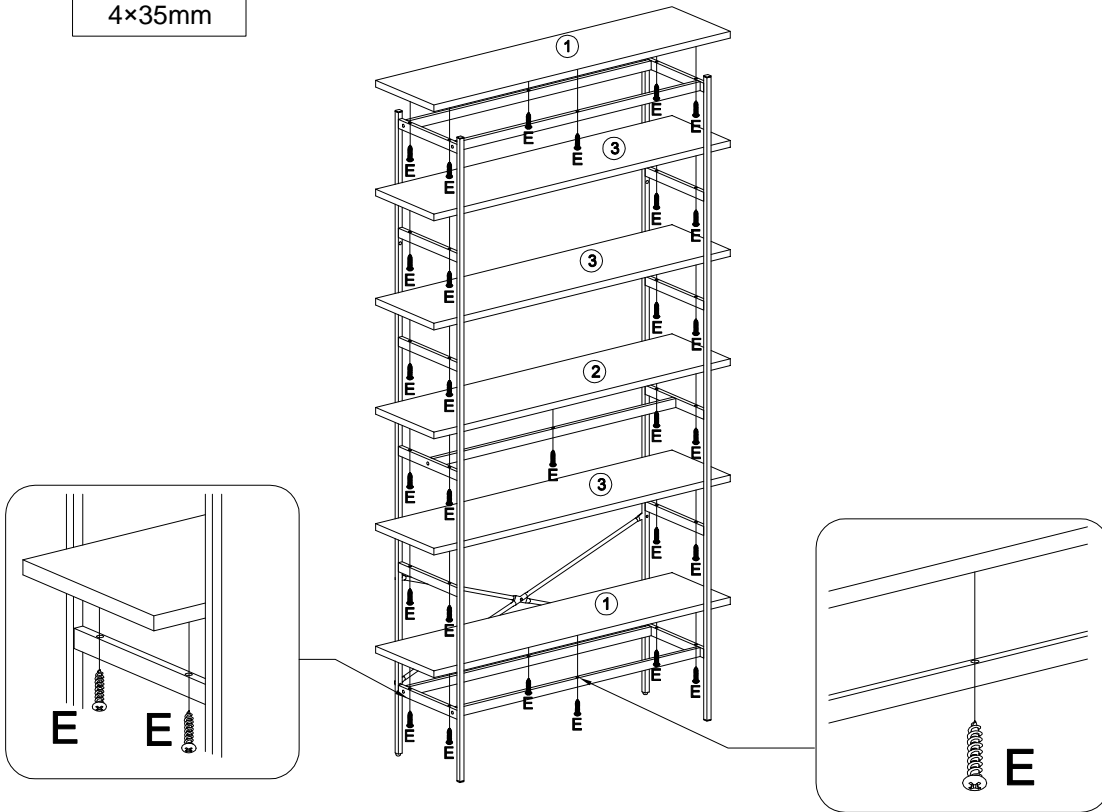
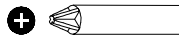
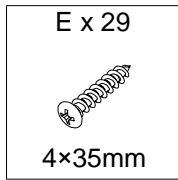


2

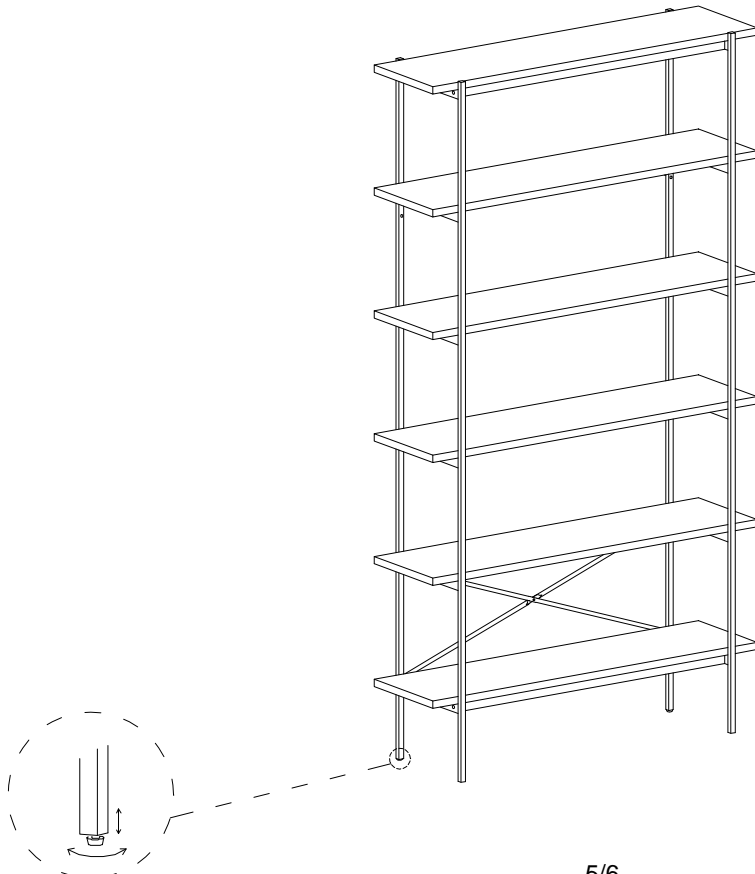
B x 4 M6x10mm	C x 1 M6x15mm	D x 1 M6	G x 1 M6	F x 1 4mm
------------------	------------------	-------------	-------------	--------------



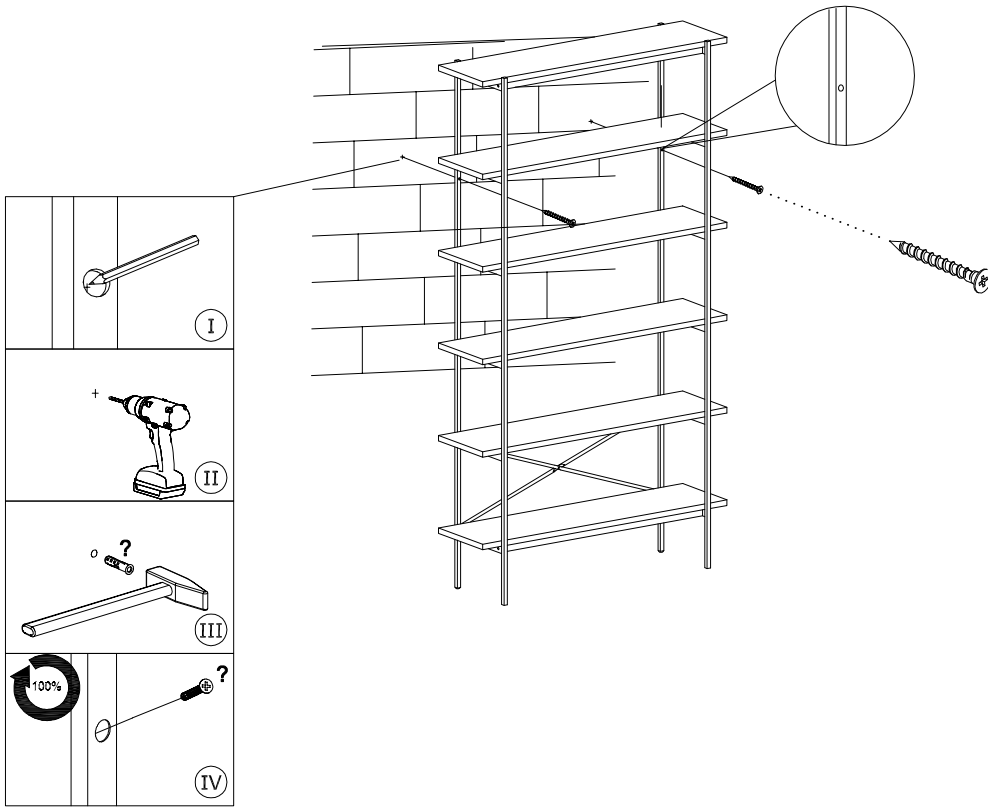
3



4



5



6

