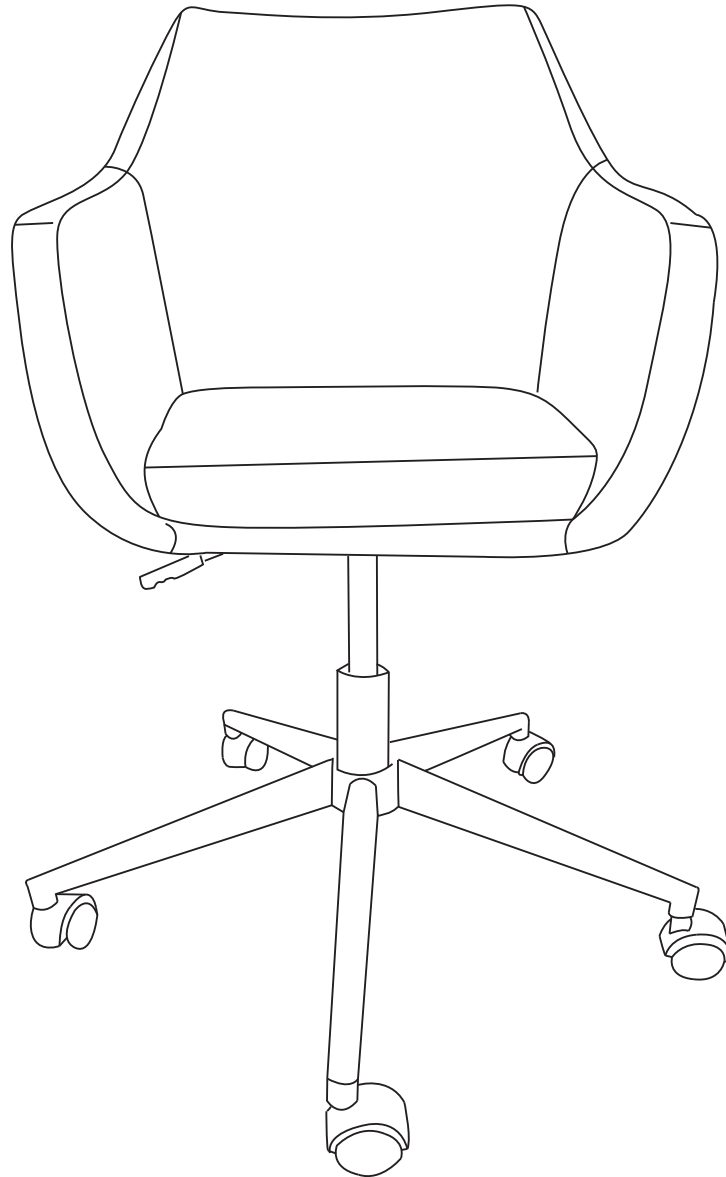

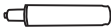









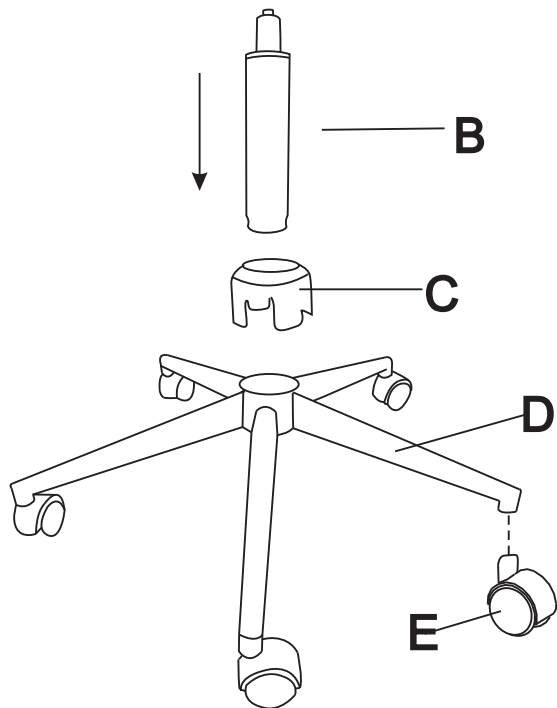


Nora

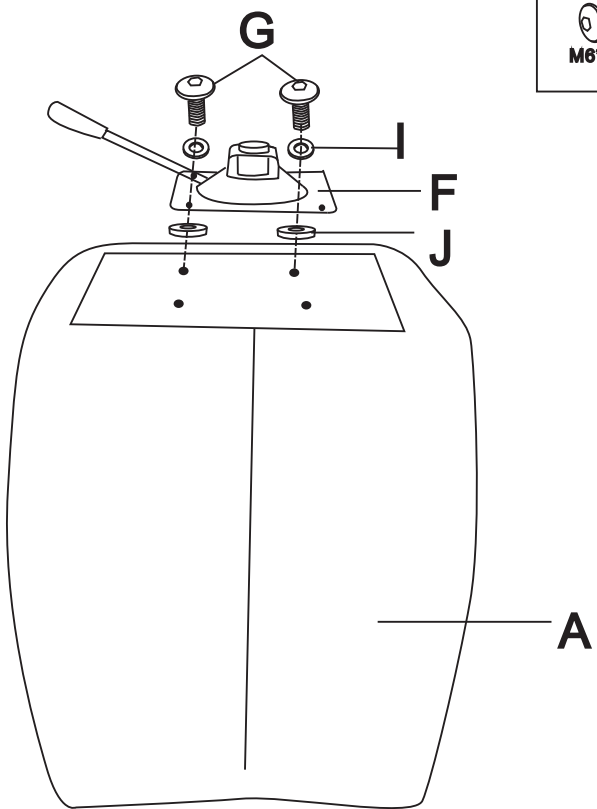






A*1 	B*1 	C*1 	D*1 	E*5 	F*1 	G*2  M6*20	H*2  M6*14	I*4  6*16*1	J*2  11*25*3	K*1 
--	---	---	---	---	---	--	--	---	--	---

1

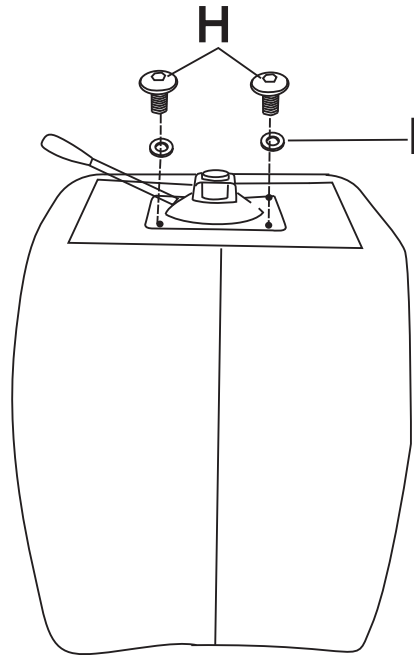





2



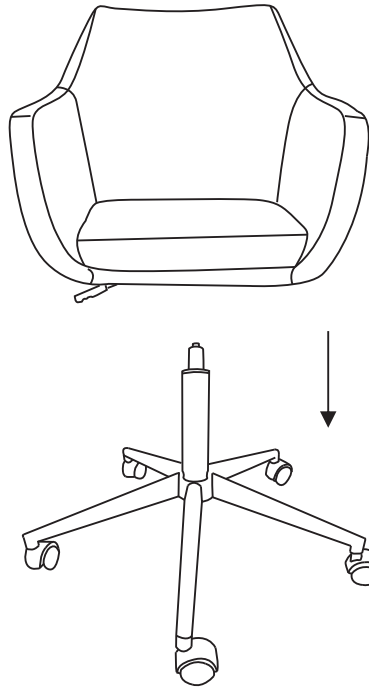
G*2  M6*20	I*2  6*16*1	J*2  M11*25*3	K*1 
--	---	---	---

3



H*2  M6*14	I*2  6*16*1	K*1 
---	--	---

4



5

