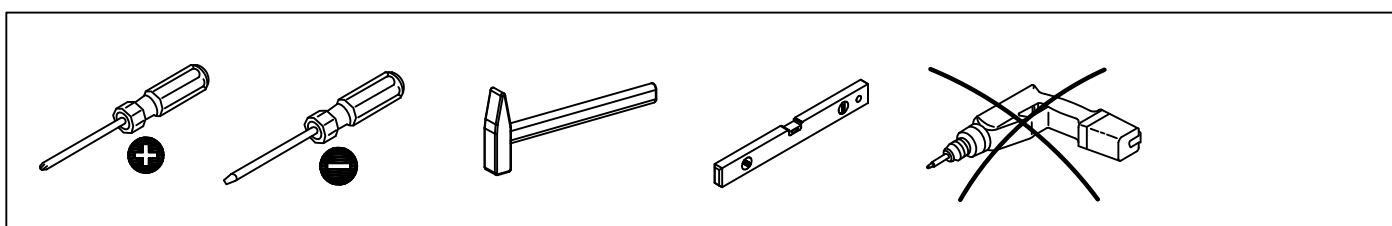
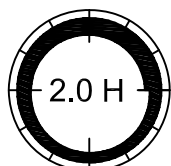
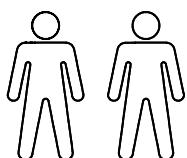
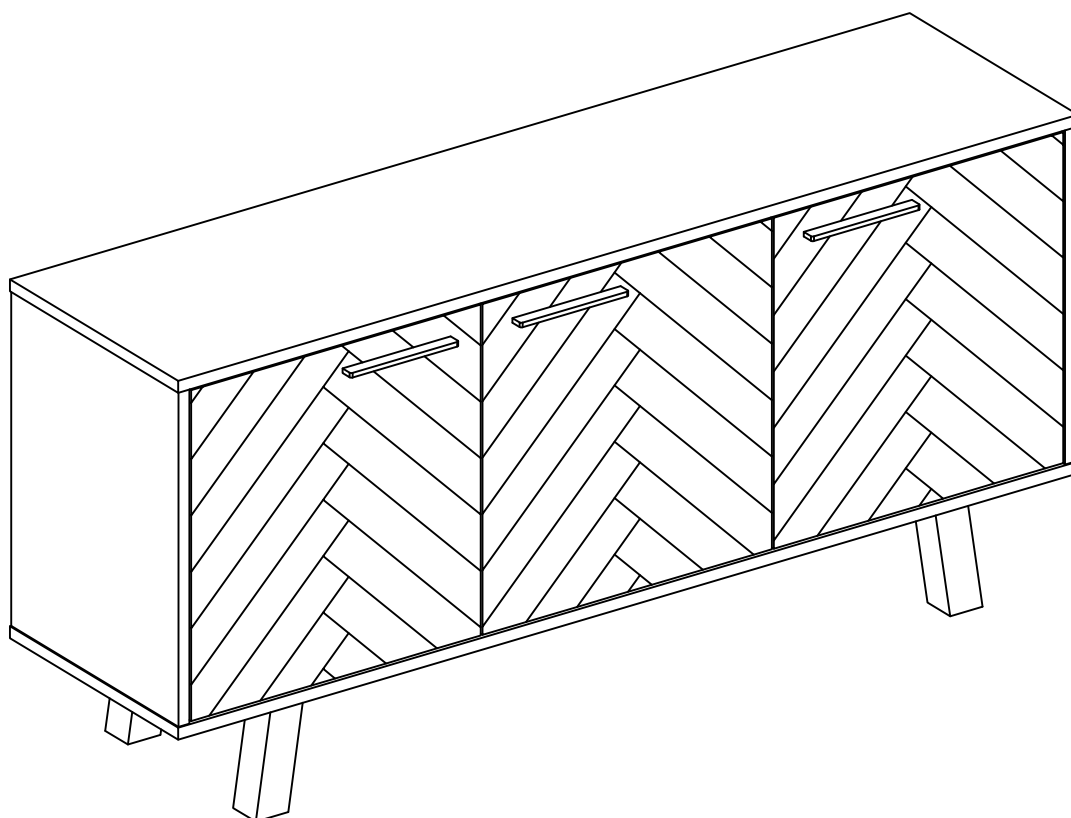
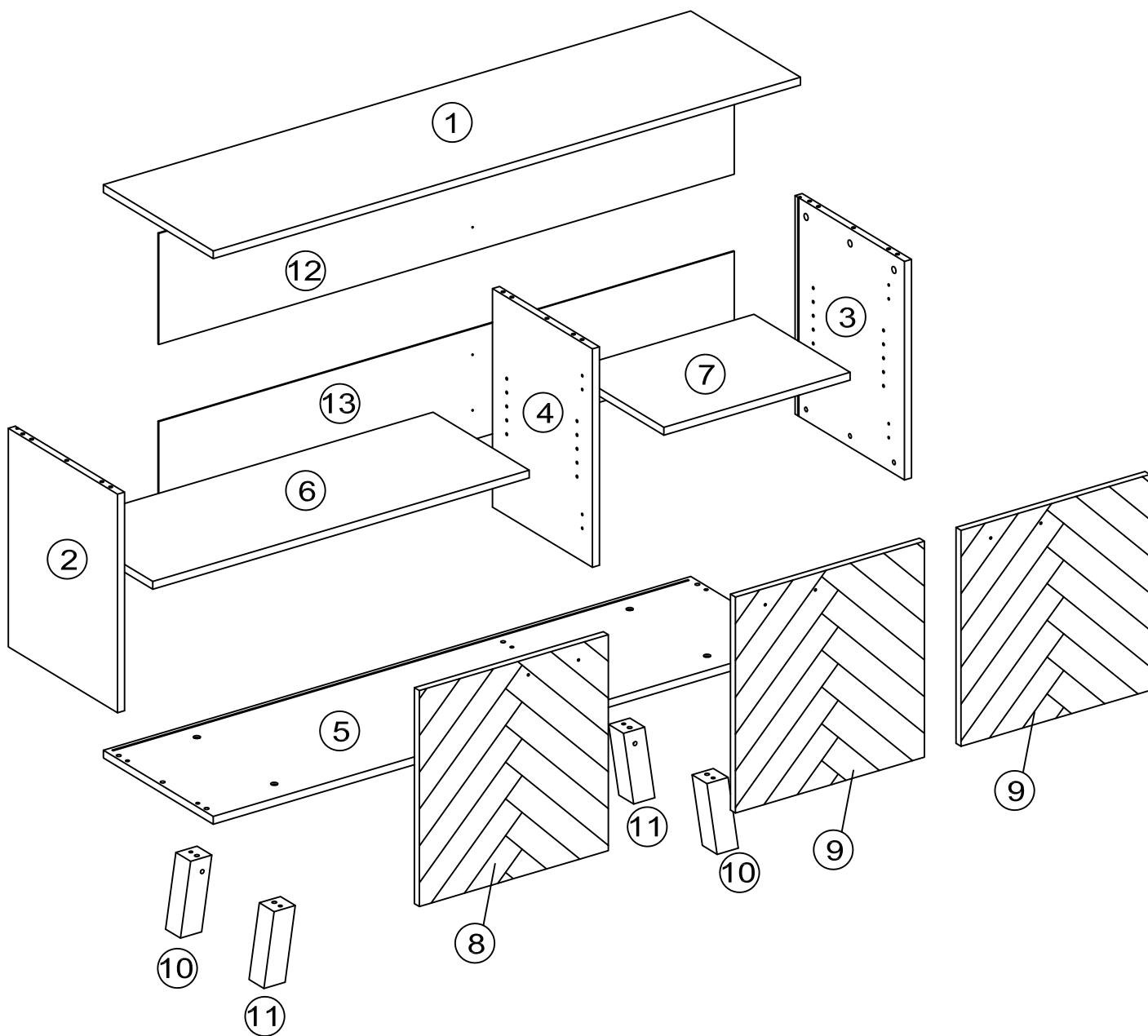











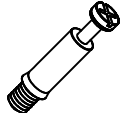
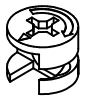
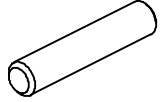


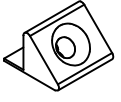
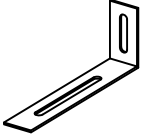
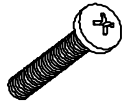

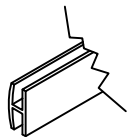
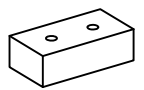
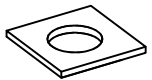
# Brighton



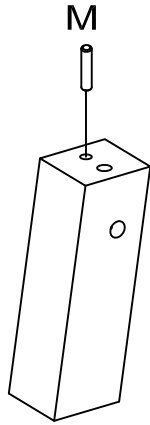
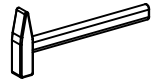
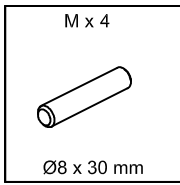
			✓
①	1	1500 x 400 x 18	
②	1	504 x 398 x 18	
③	1	504 x 398 x 18	
④	1	504 x 364 x 18	
⑤	1	1500 x 400 x 18	
⑥	1	960 x 350 x 18	
⑦	1	475 x 350 x 18	

			✓
⑧	1	498 x 482 x 18	
⑨	2	498 x 482 x 18	
⑩	2	188 x 54 x 54	
⑪	2	188 x 54 x 54	
⑫	1	1468 x 256 x 3	
⑬	1	1468 x 256 x 3	

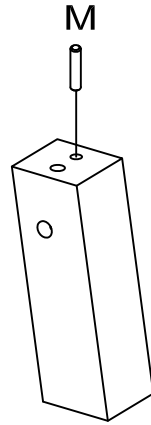


<p>A x 9</p>  <p>M6 x 50 mm</p>	<p>B x 4</p>  <p>M8 x 60 mm</p>	<p>C x 4</p>  <p>Ø12 x 15 mm</p>	<p>D x 9</p>  <p>Ø10 x 12 mm</p>	<p>E x 1</p>  <p>4 mm</p>
<p>F x 1</p>  <p>5 mm</p>	<p>G x 8</p>  <p>Ø5 mm</p>	<p>H x 4</p>  <p>Ø35/FK17</p>	<p>J x 2</p>  <p>Ø35/FK9</p>	<p>K x 9</p>  <p>Ø6 x 43 mm</p>
<p>L x 9</p>  <p>Ø15 x 12 mm</p>	<p>M x 16</p>  <p>Ø8 x 30 mm</p>	<p>N x 26</p>  <p>Ø3.5 x 16 mm</p>	<p>P x 8</p>  <p>Ø3.5 x 16 mm</p>	<p>Q x 12</p>  <p>M4/Ø12 mm</p>
<p>R x 2</p>  <p>75 x 15 x 25 mm</p>	<p>S x 6</p>  <p>Ø4 x 23 mm</p>	<p>T x 3</p>  <p>180 x 7 x 20 mm</p>	<p>U x 1</p>  <p>1456 x 15 mm</p>	<p>V x 1</p>  <p>50 x 20 x 10 mm</p>
<p>W x 4</p>  <p>45 x 45 mm</p>				

1

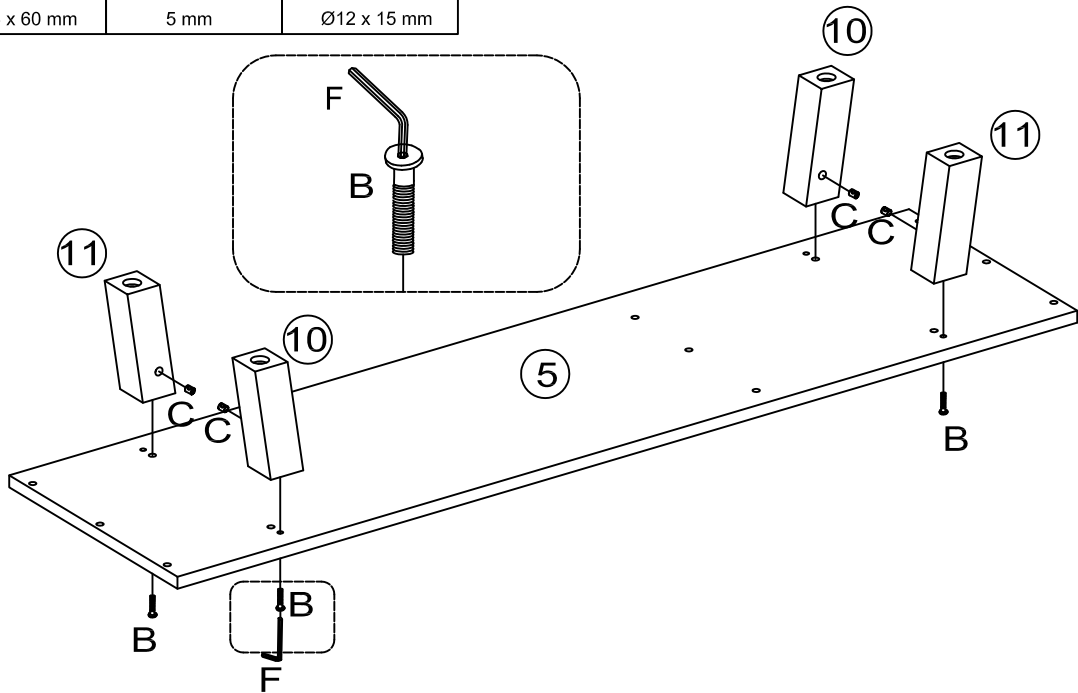
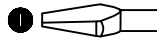
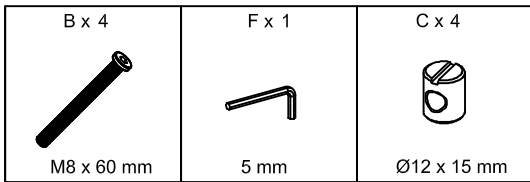


⑩ x2

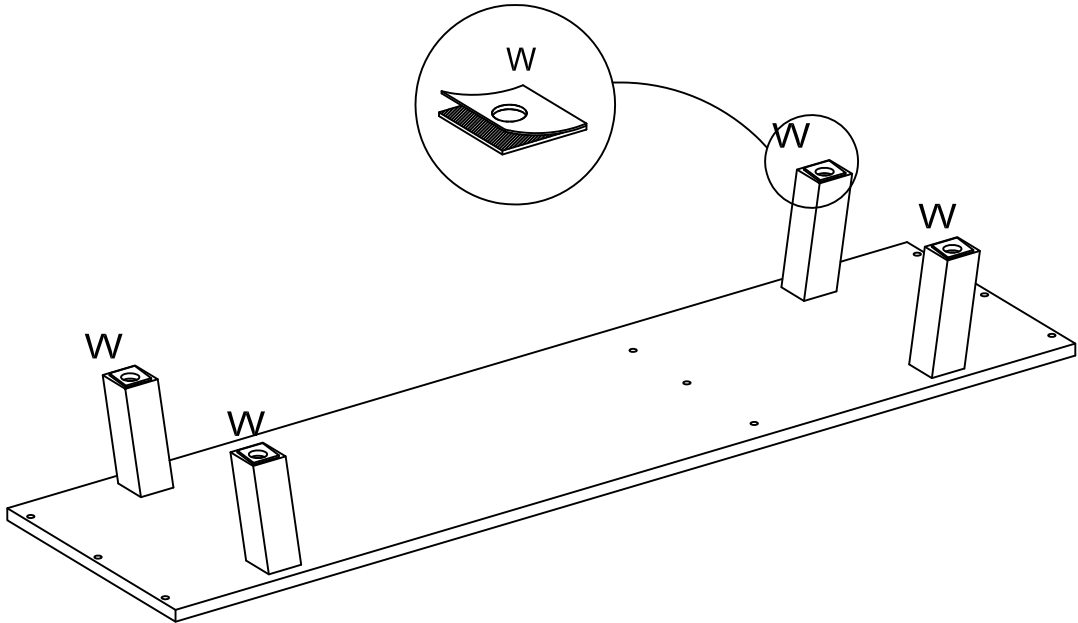
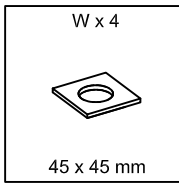


⑪ x2

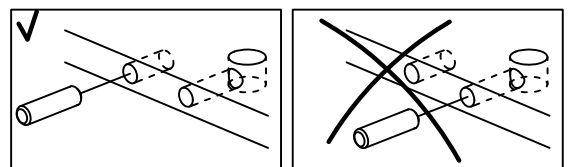
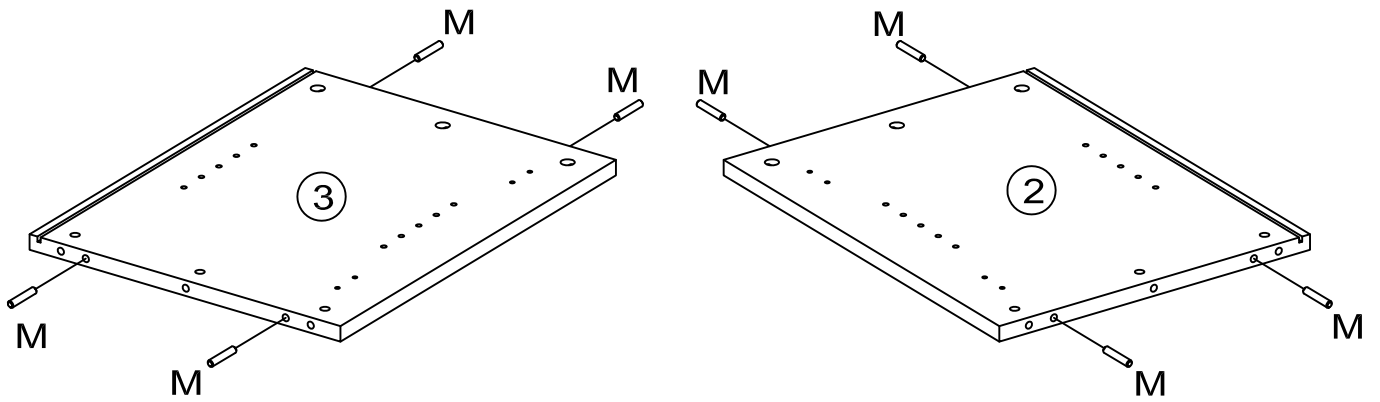
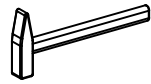
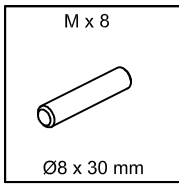
2



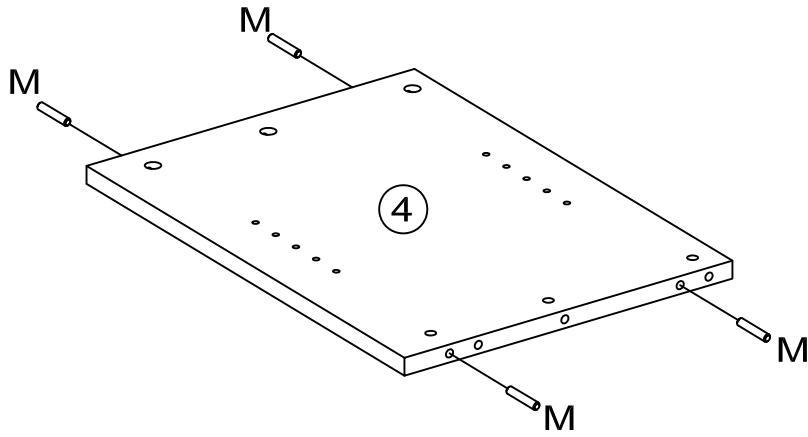
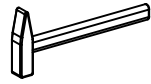
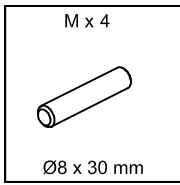
3



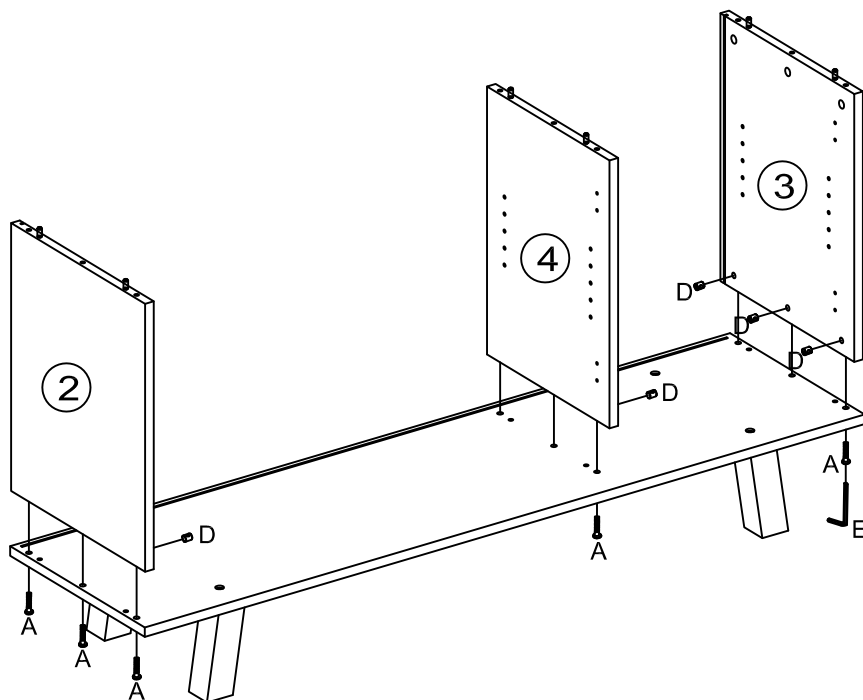
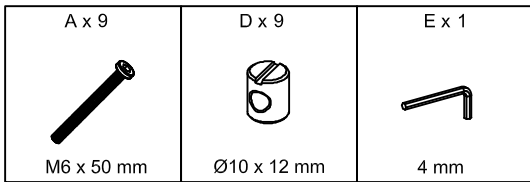
4



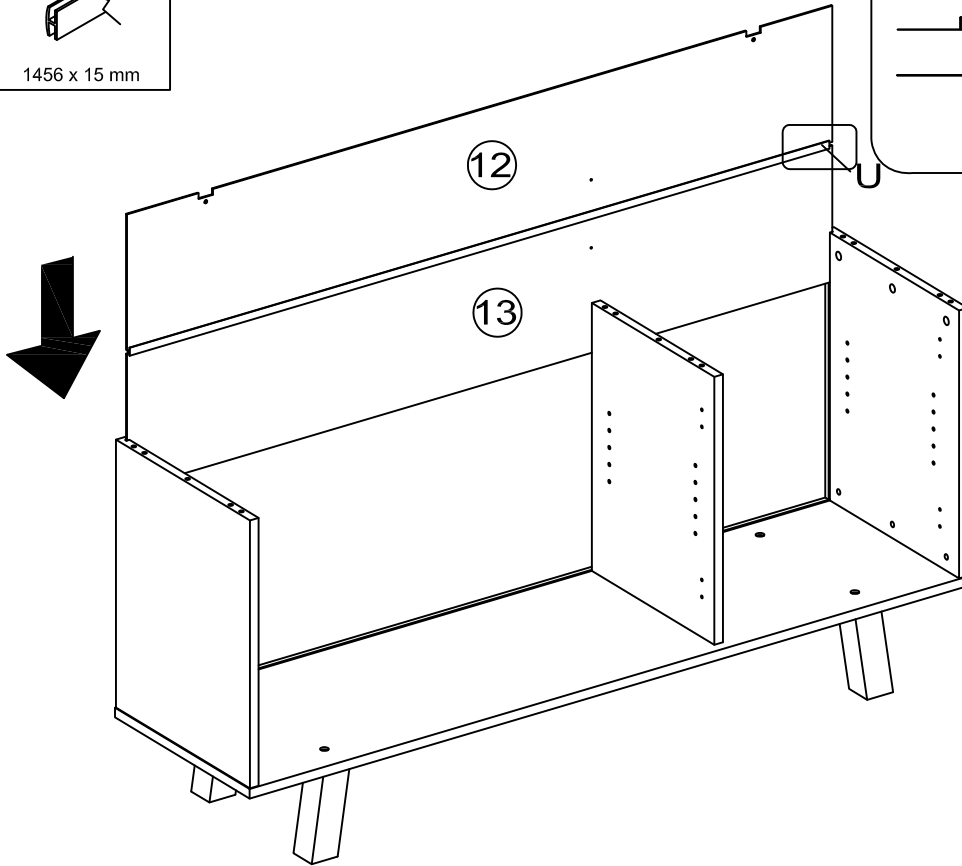
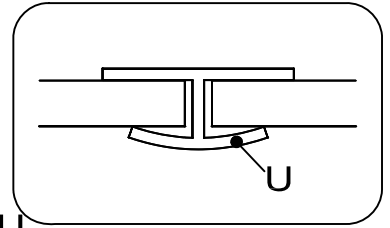
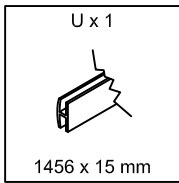
# 5



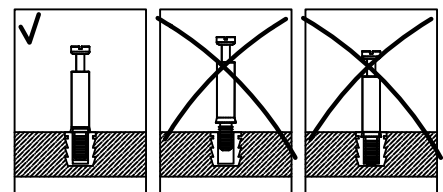
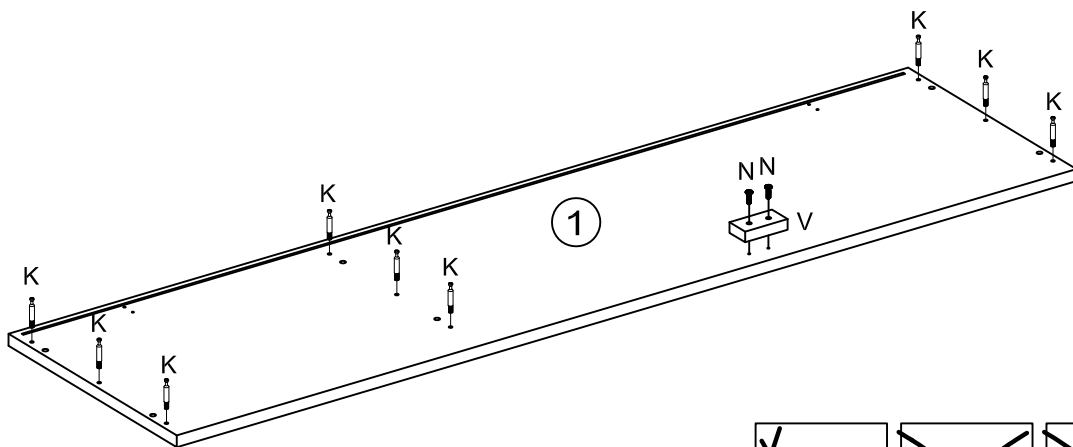
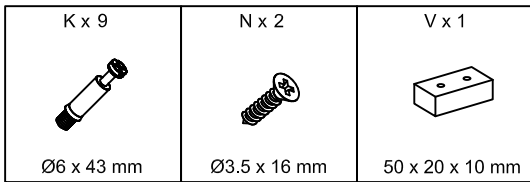
# 6



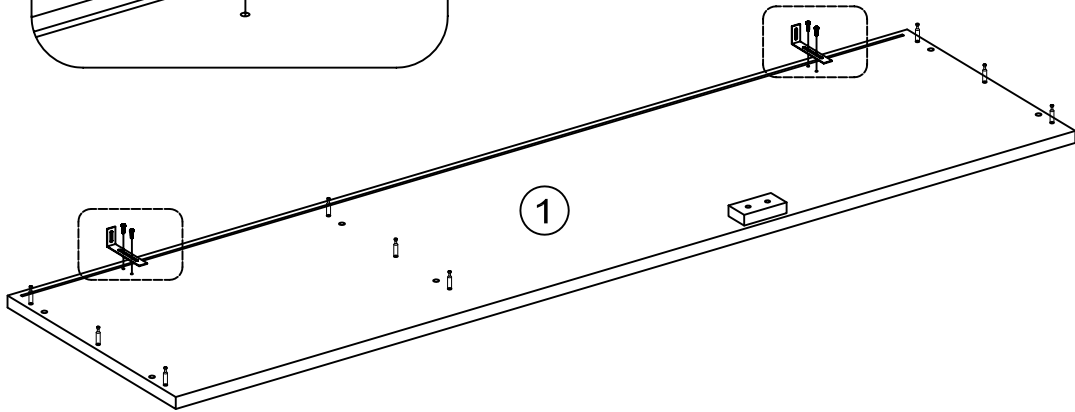
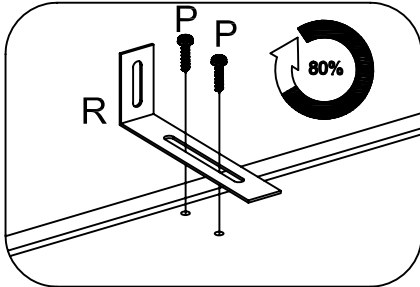
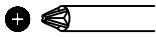
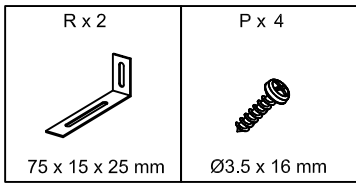
7



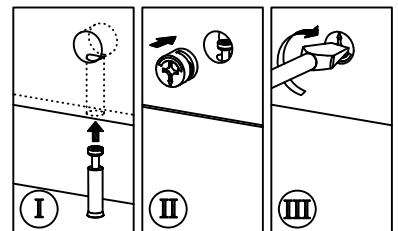
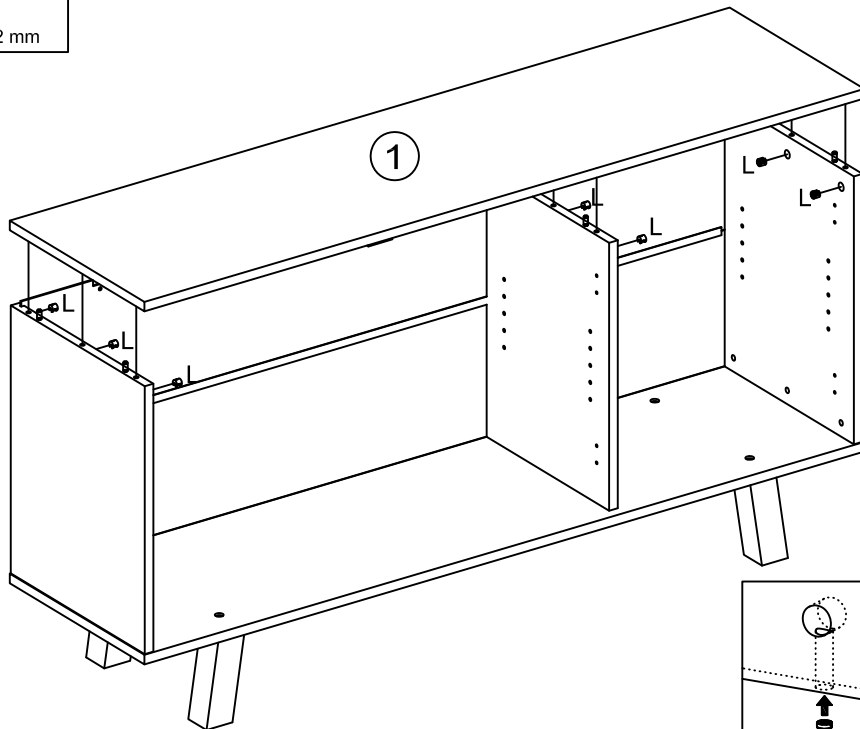
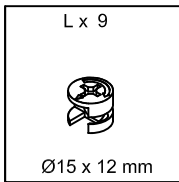
8



# 9






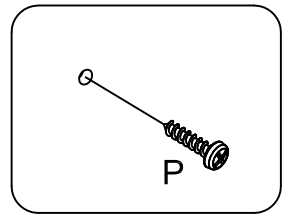
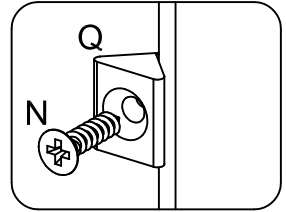
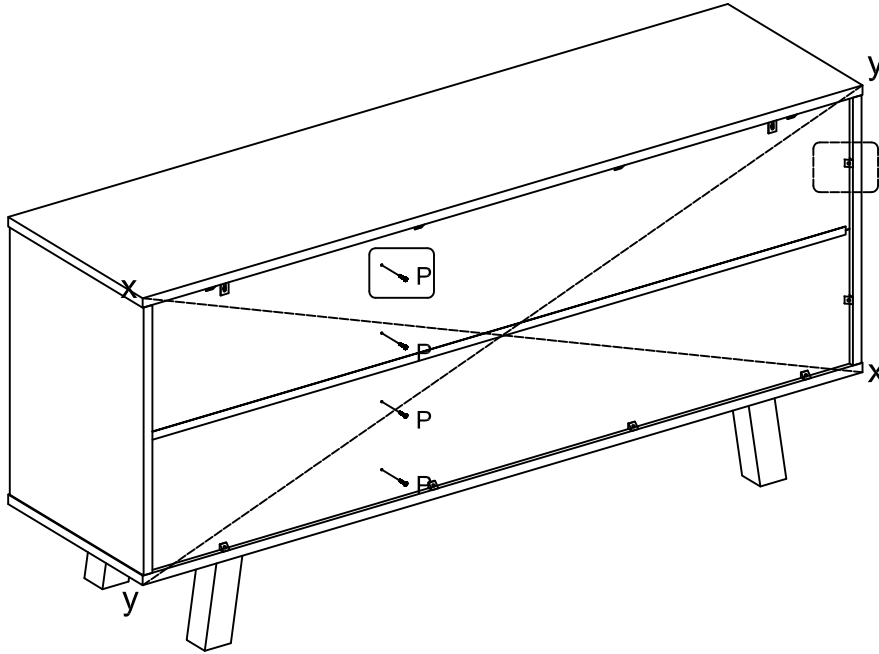
# 10







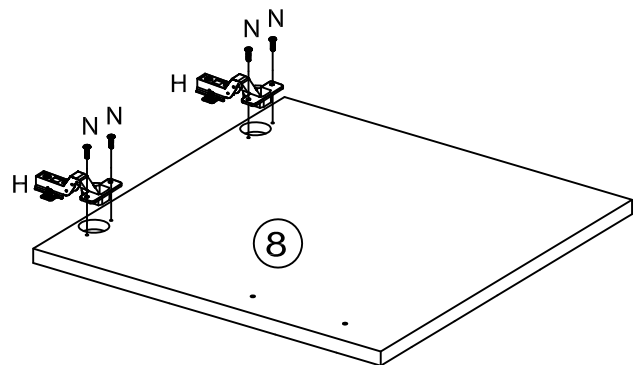
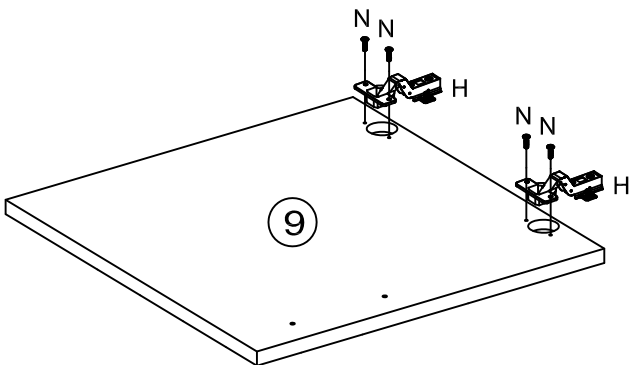
# 11

N x 12  Ø3.5 x 16 mm	P x 4  Ø3.5 x 16 mm	Q x 12  M4/Ø12 mm
---	--	--

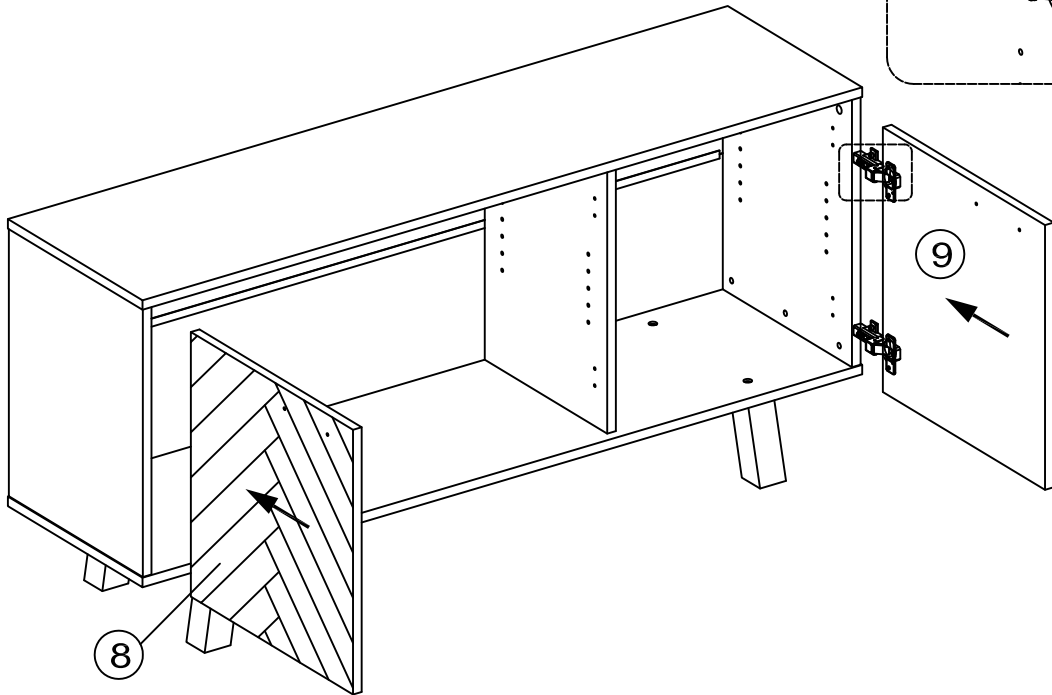
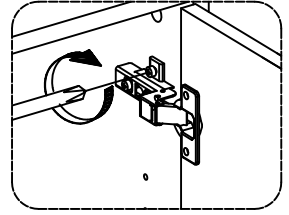
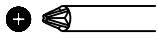


# 12



H x 4  Ø35/FK17	N x 8  Ø3.5 x 16 mm
--	--

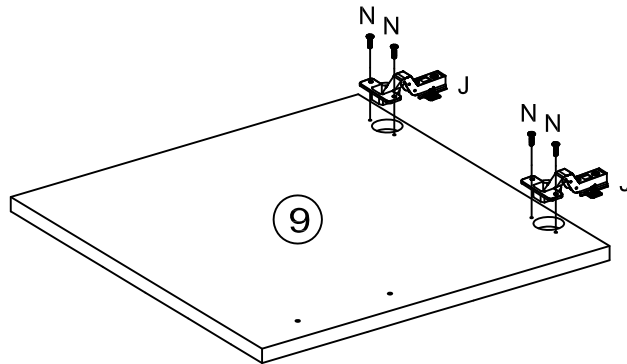


# 13

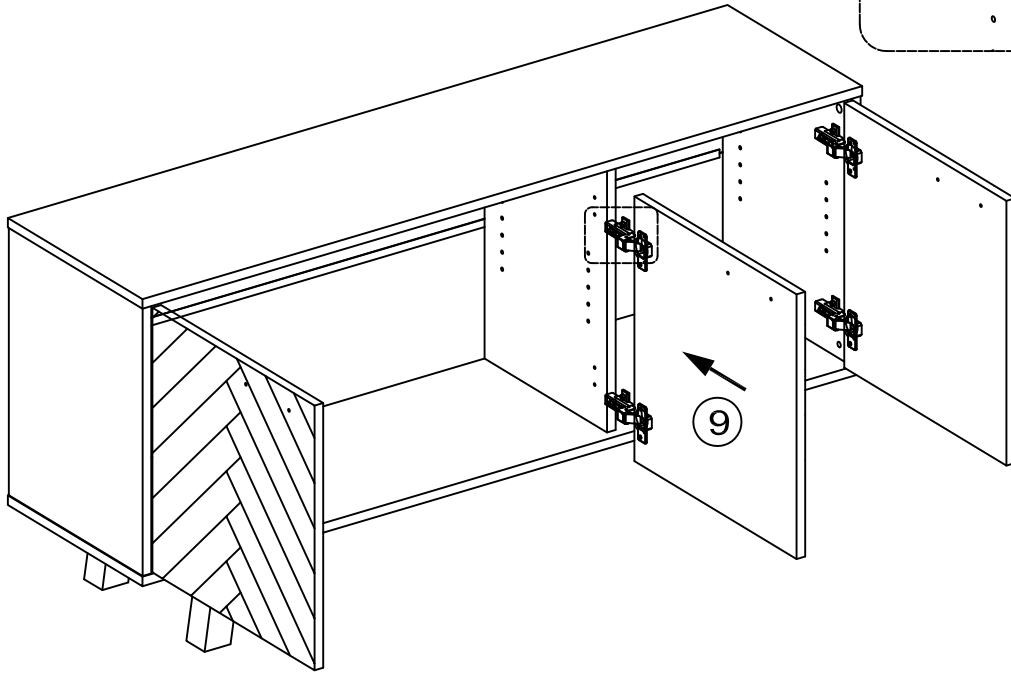
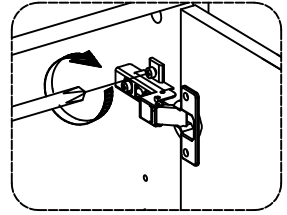
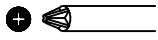


# 14

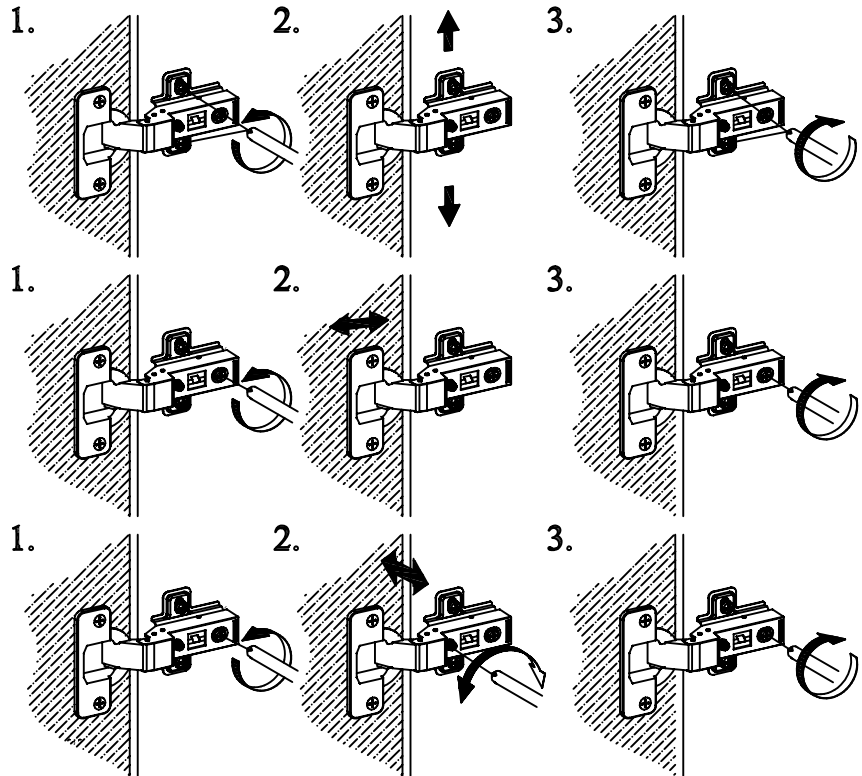
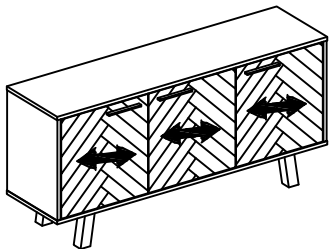
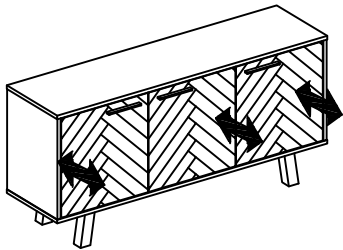
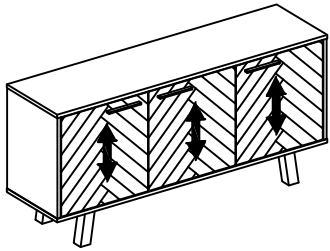
J x 2	N x 4
	
Ø35/FK9	Ø3.5 x 16 mm



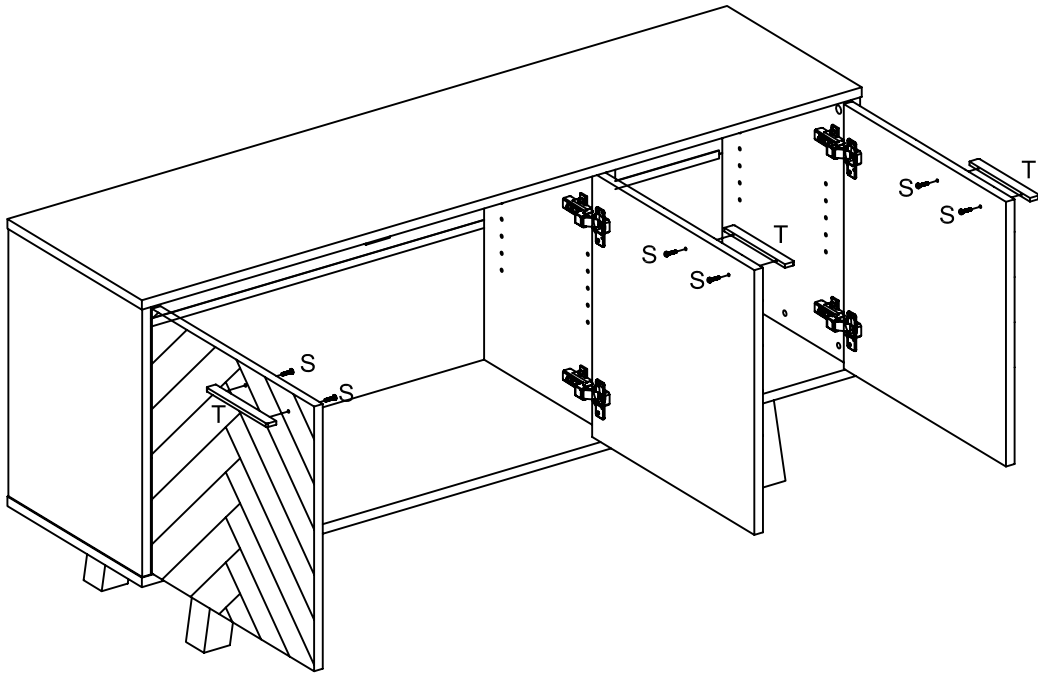
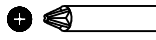
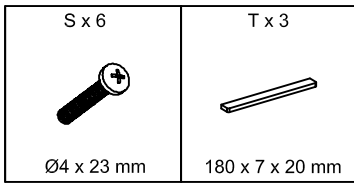
# 15



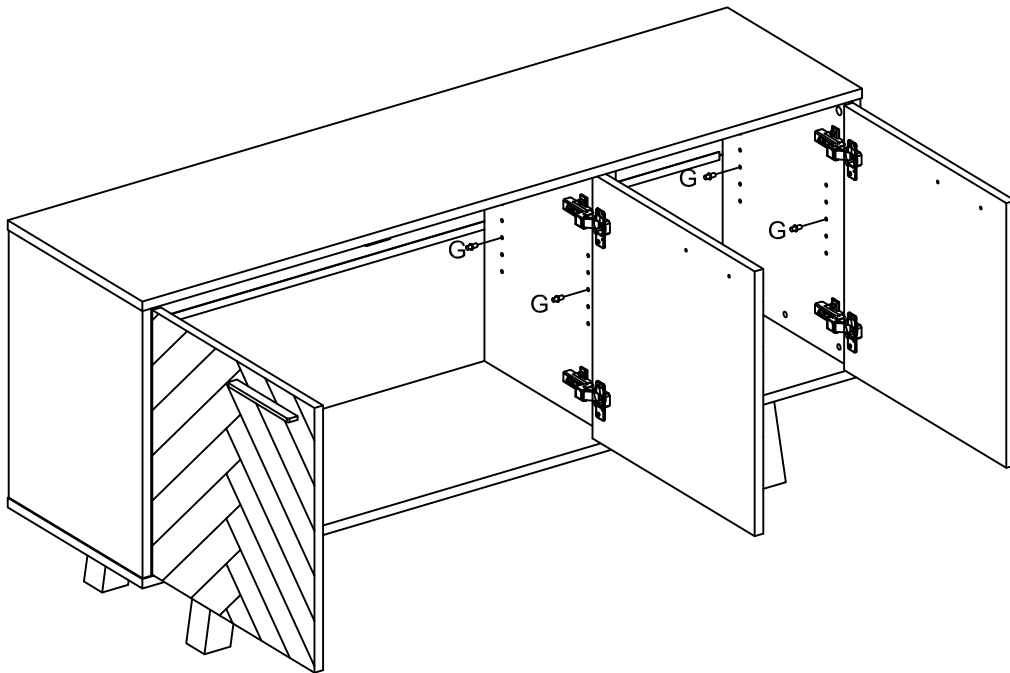
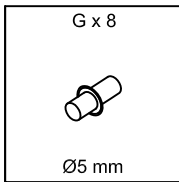
# 16



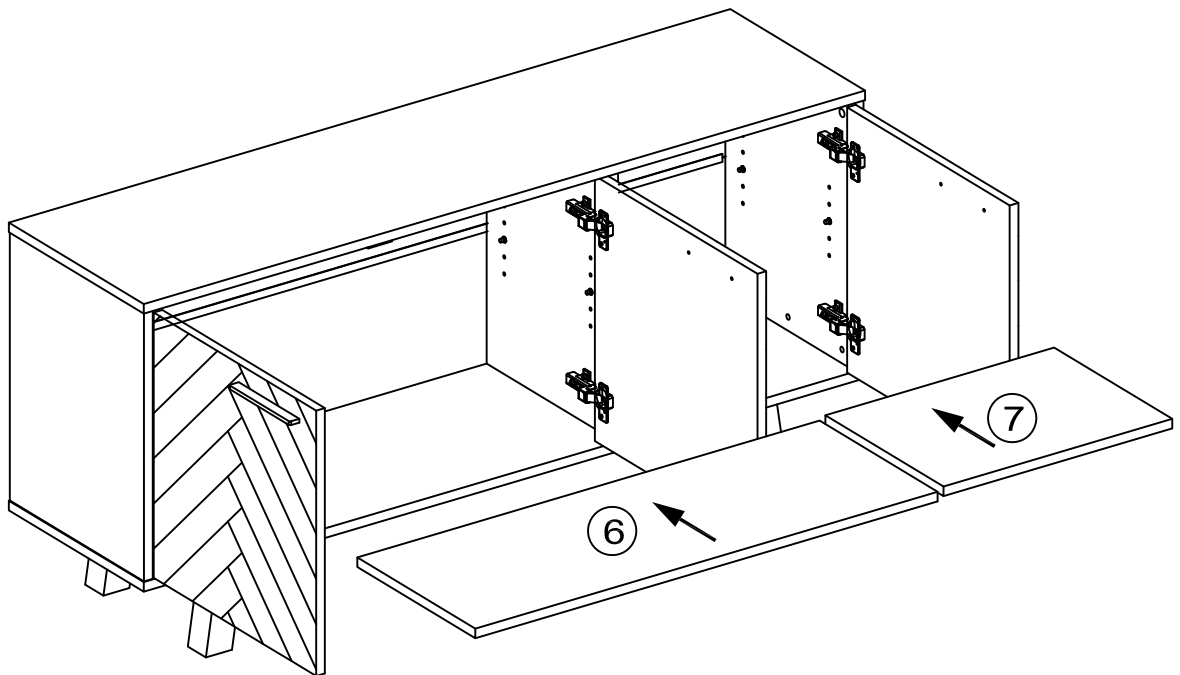
# 17



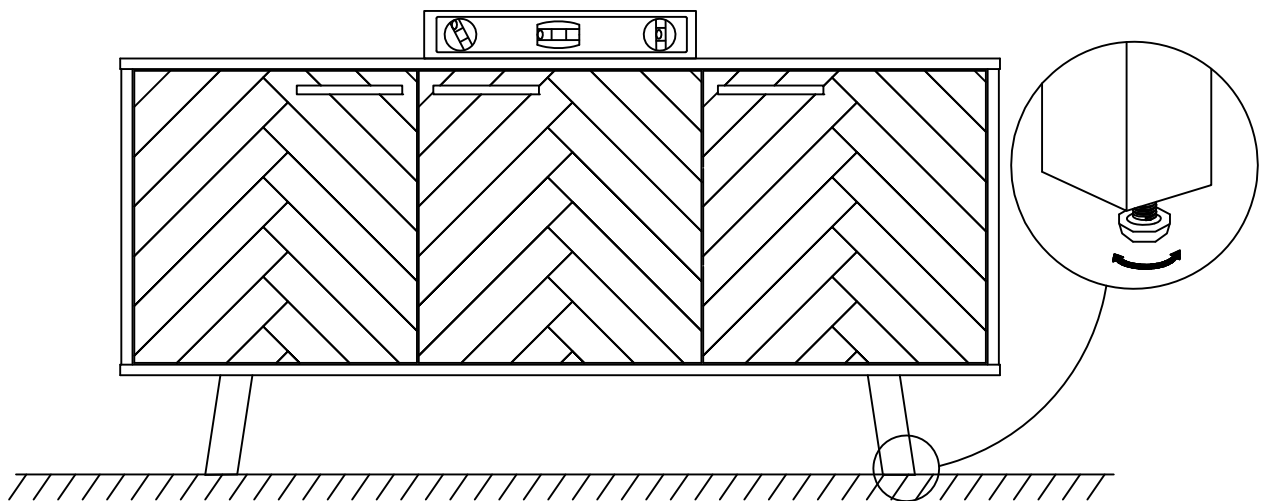
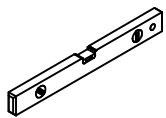
# 18



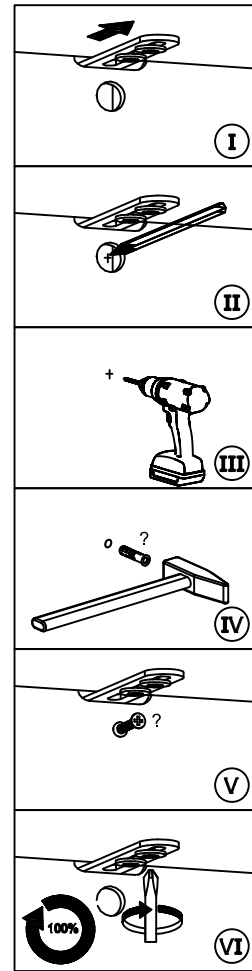
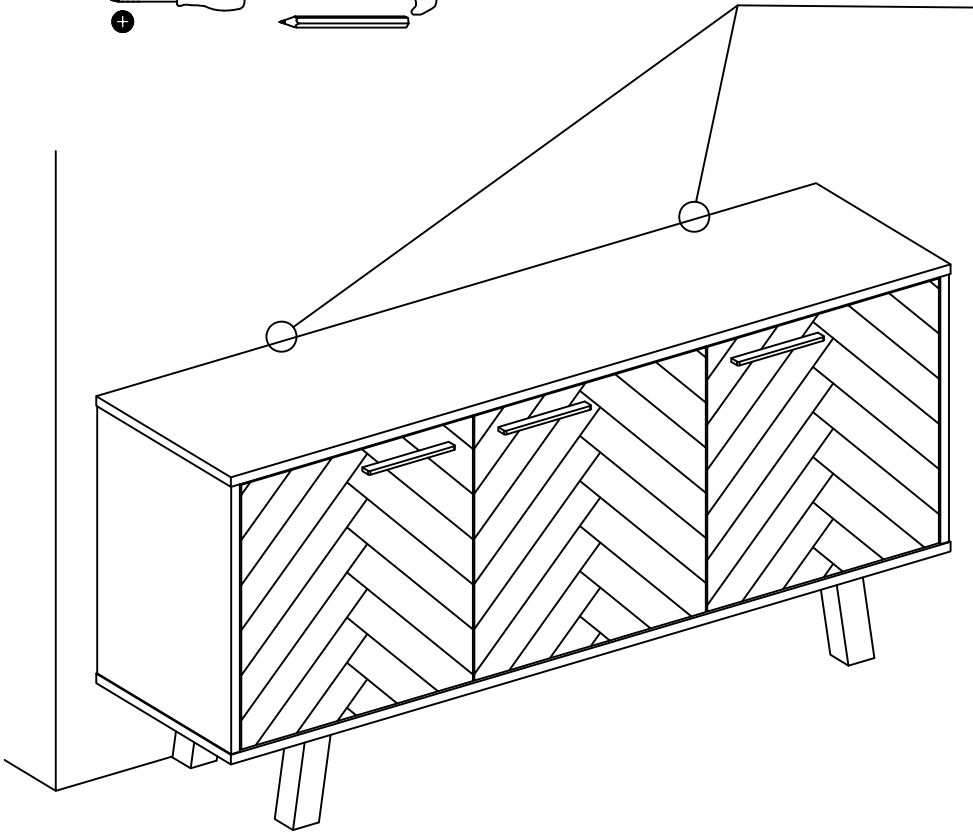
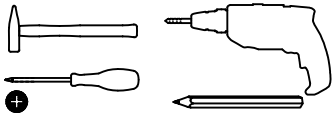
19



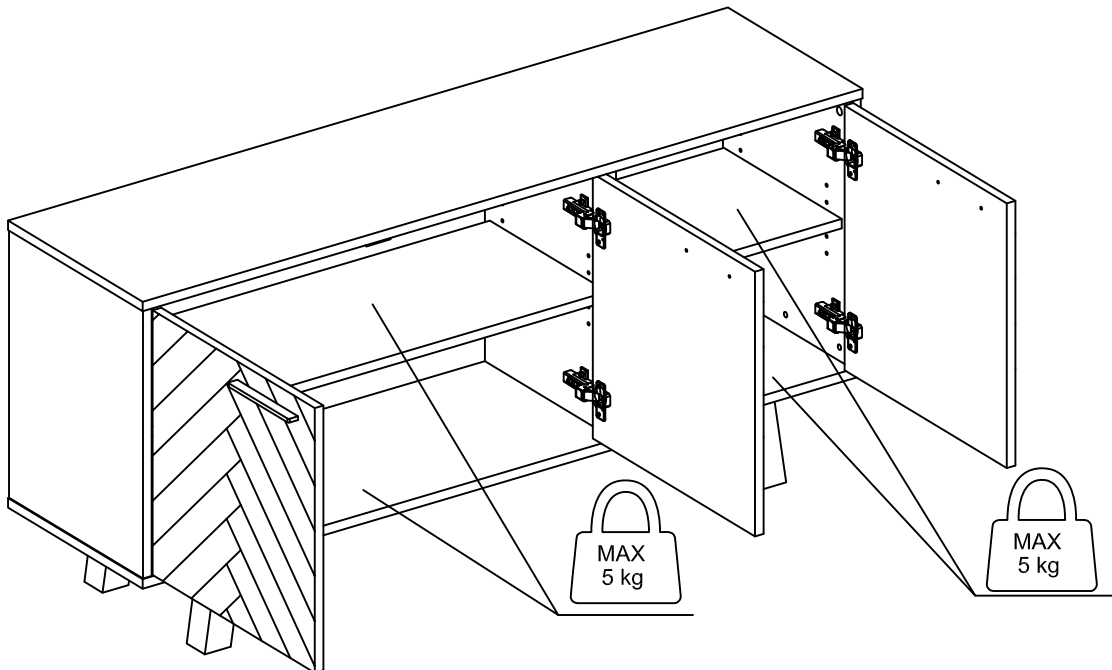
20



# 21



# 22



23

