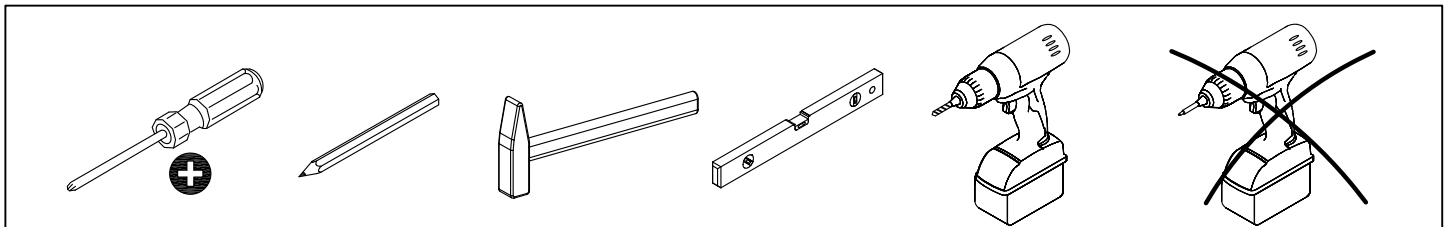
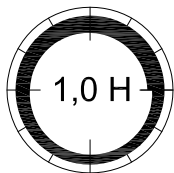
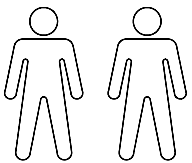
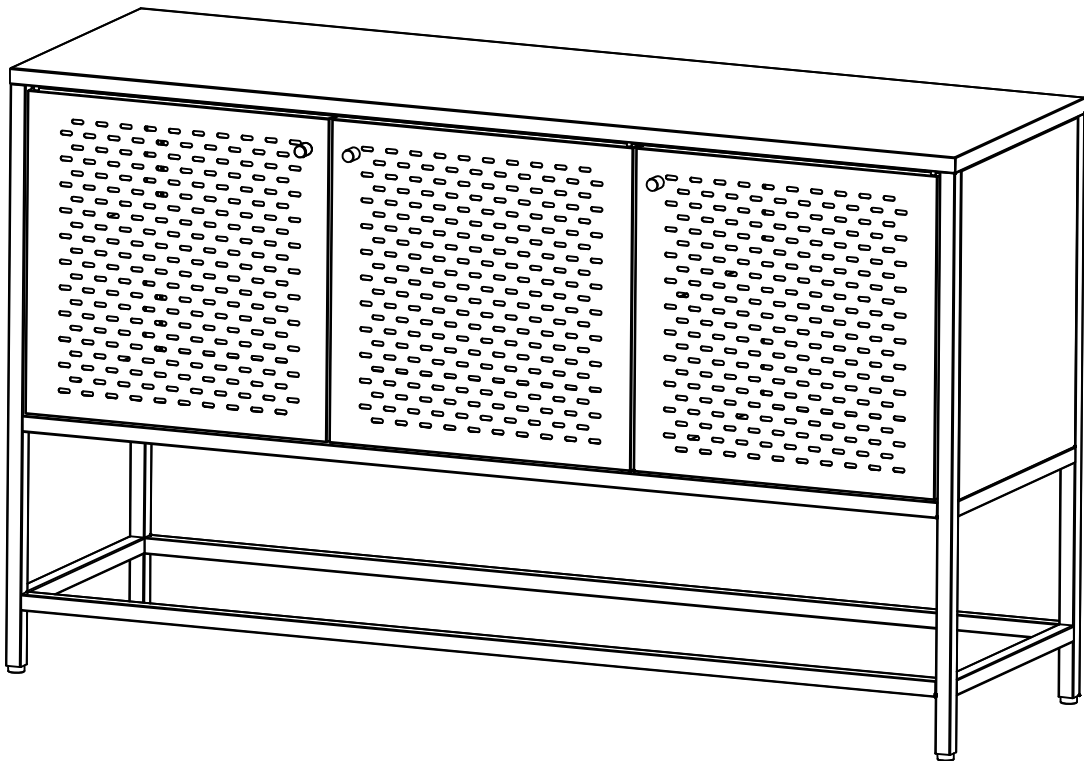
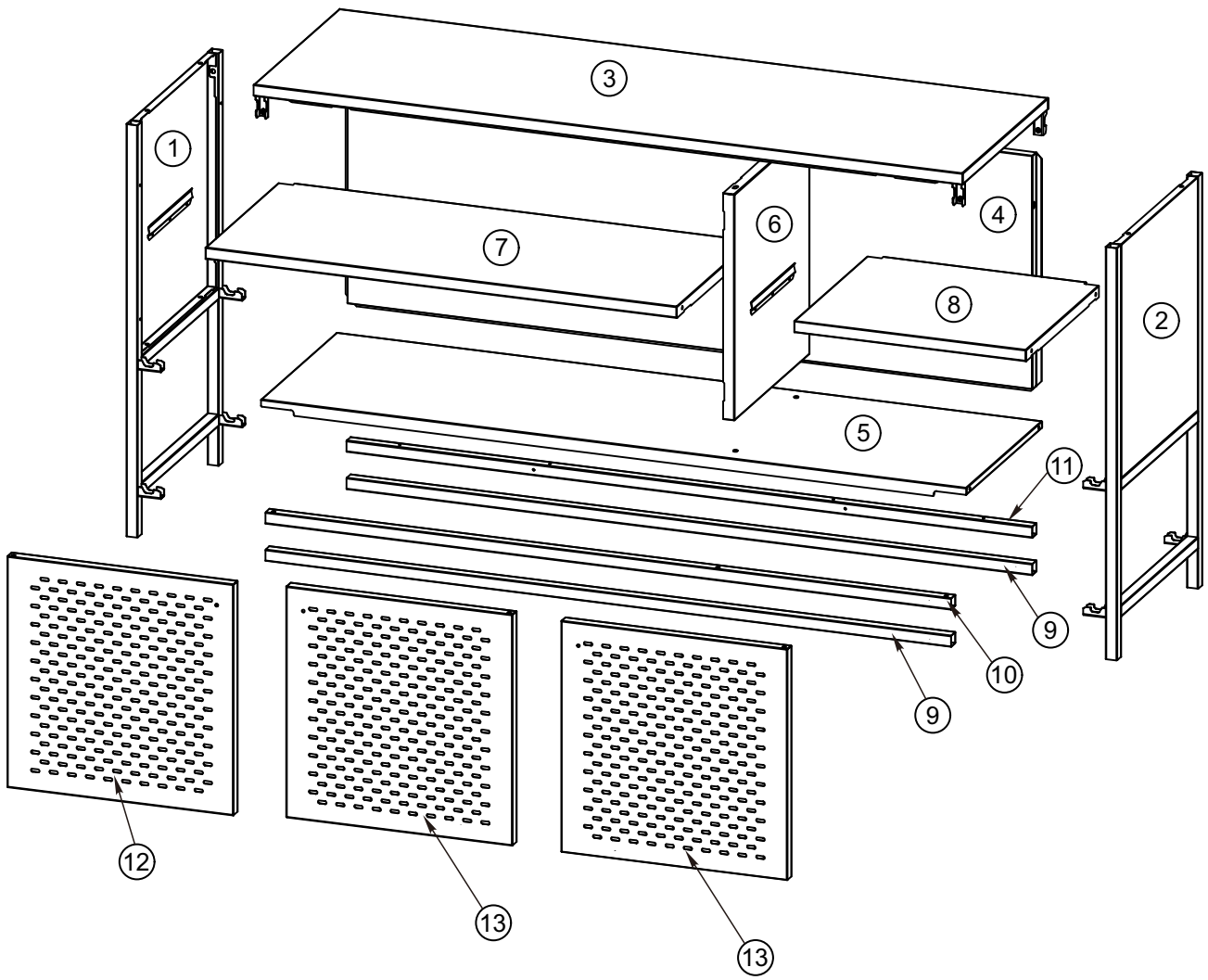


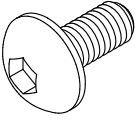
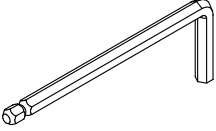
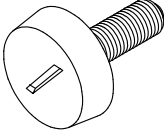
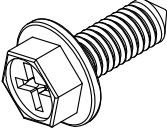
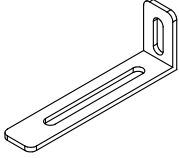
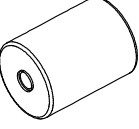
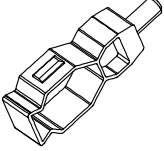

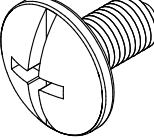
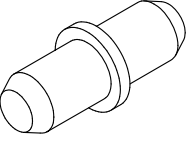
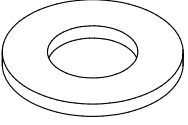
# NEWCASTLE



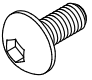
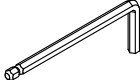
			✓
①	1	722x400x60	
②	1	722x400x60	
③	1	1253x403x60	
④	1	1228x418x18	
⑤	1	1245x355x31	
⑥	1	396x352x20	
⑦	1	832x350x20	

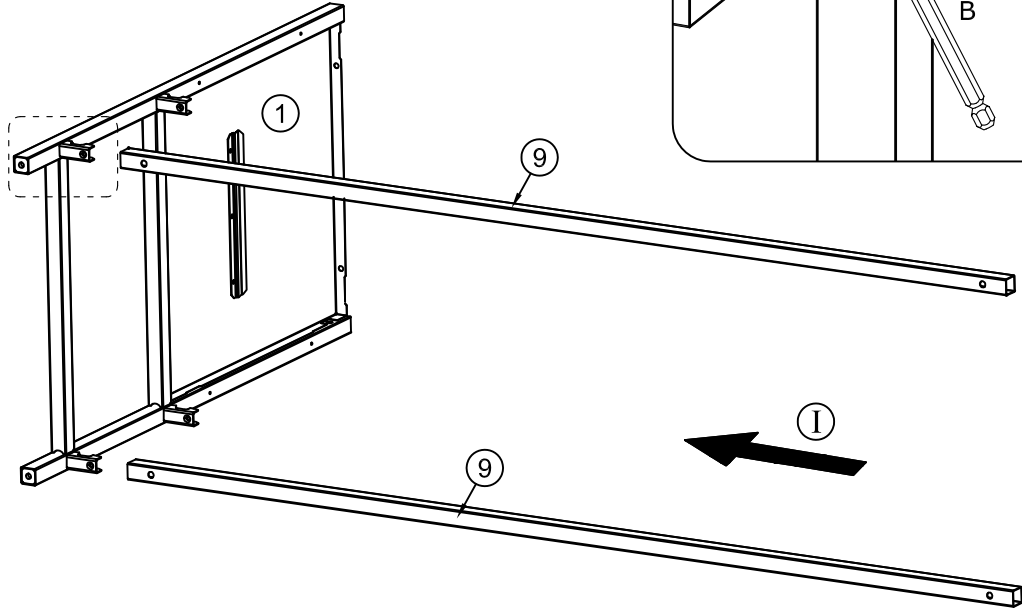
			✓
⑧	1	410x350x20	
⑨	2	1210x20x20	
⑩	1	1210x20x20	
⑪	1	1210x20x20	
⑫	1	405x398x20	
⑬	2	405x398x20	



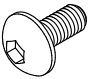

<p>A x 16</p>  <p>M6x12 mm</p>	<p>B x 1</p>  <p>4 mm</p>	<p>C x 4</p>  <p>M8/Ø20 mm</p>	<p>D x 10</p>  <p>Ø4x12 mm</p>	<p>E x 2</p>  <p>75x25x15 mm</p>
<p>F x 3</p>  <p>Ø15x20 mm</p>	<p>G x 3</p>  <p>Ø6x58 mm</p>	<p>H x 3</p>  <p>Ø13,5/Ø3,5 mm</p>	<p>J x 7</p>  <p>M4x8 mm</p>	<p>K x 3</p>  <p>Ø6x20 mm</p>
<p>L x 3</p>  <p>Ø6x1,6 mm</p>				

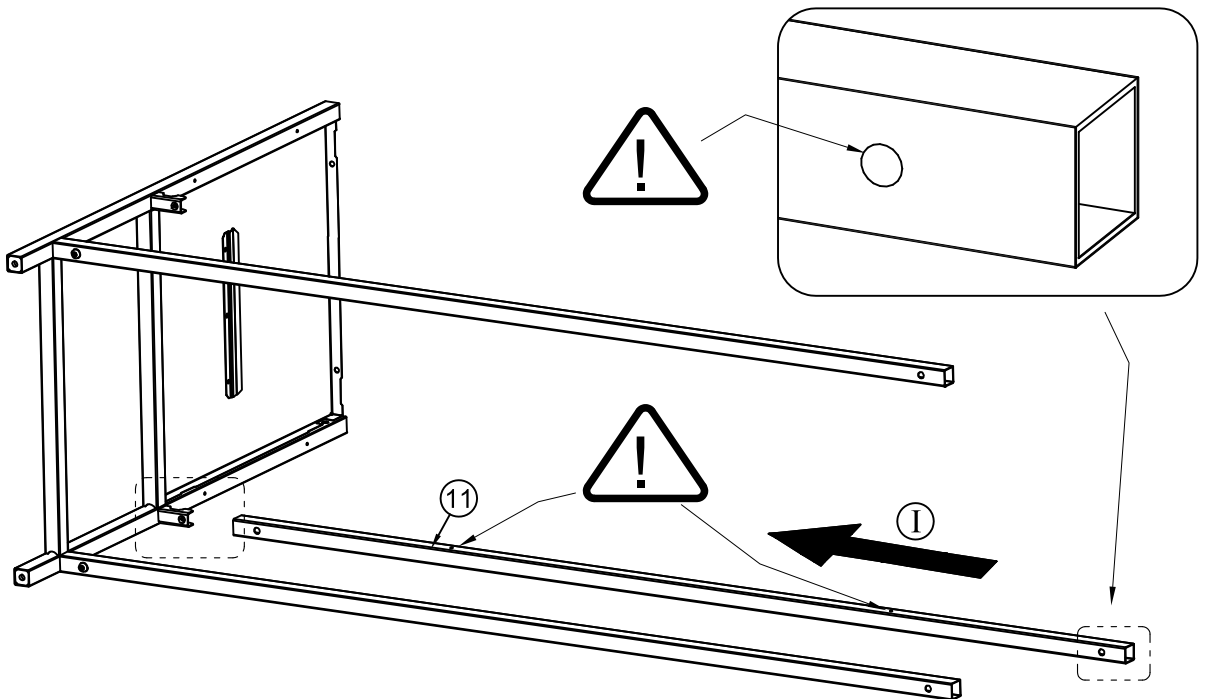
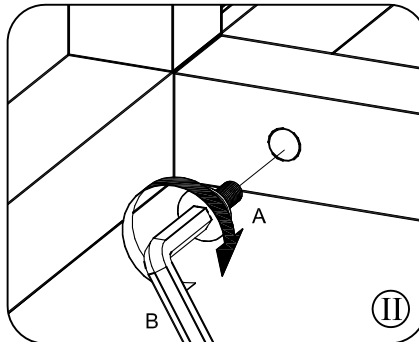
# 1

A x 2	B x 1
	
M6x12 mm	4 mm

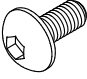
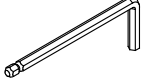


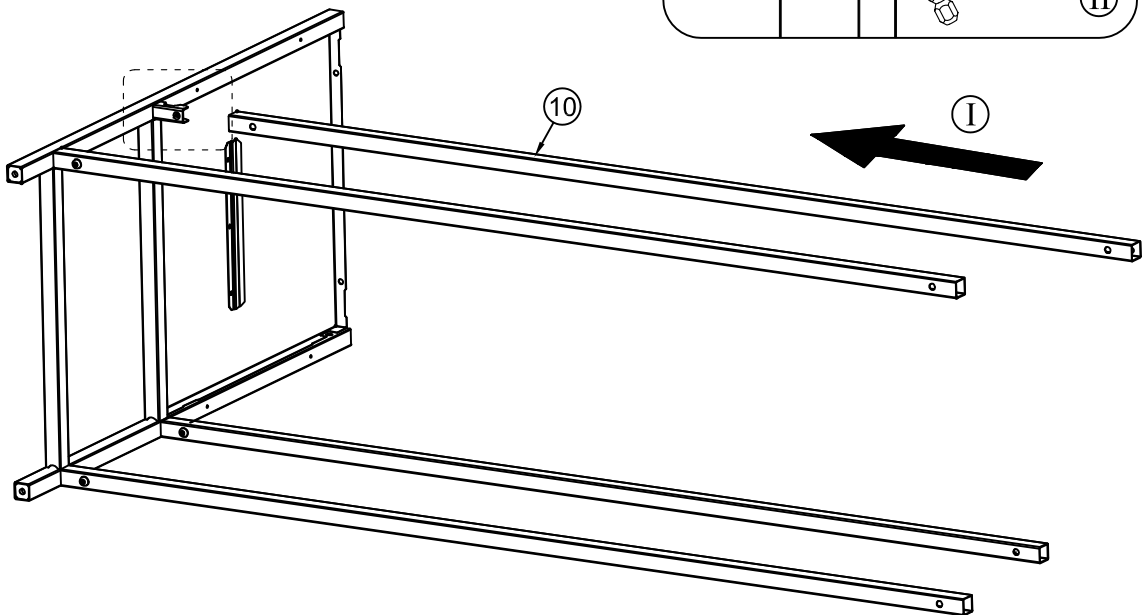
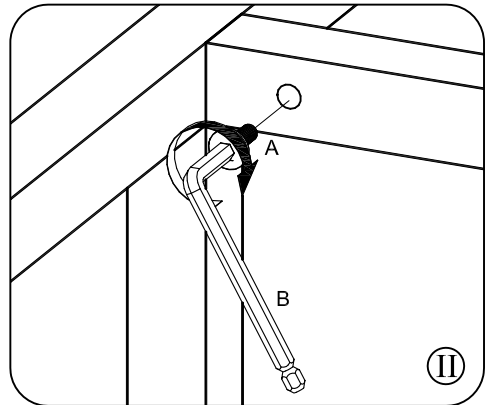
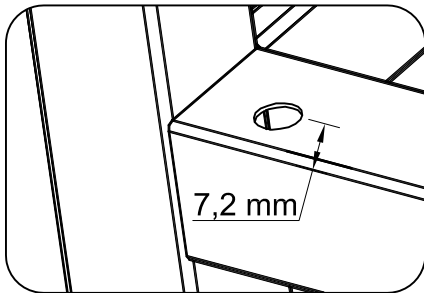
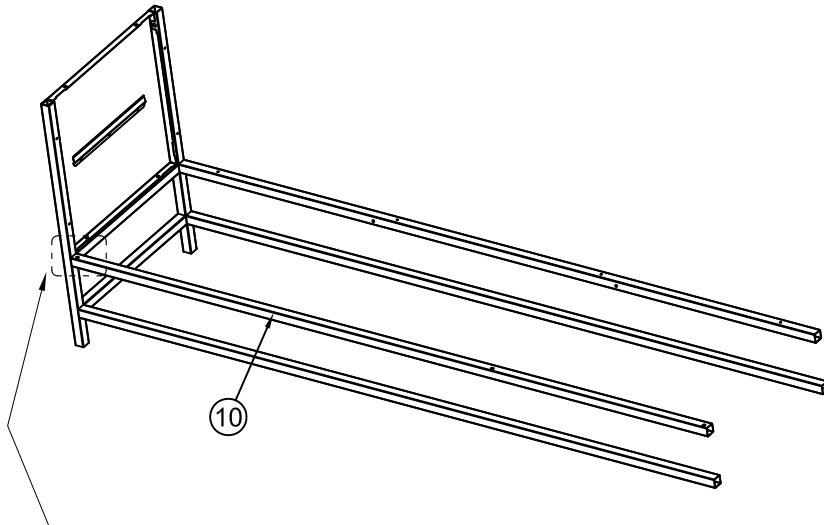
# 2

A x 1	B x 1
	
M6x12 mm	4 mm

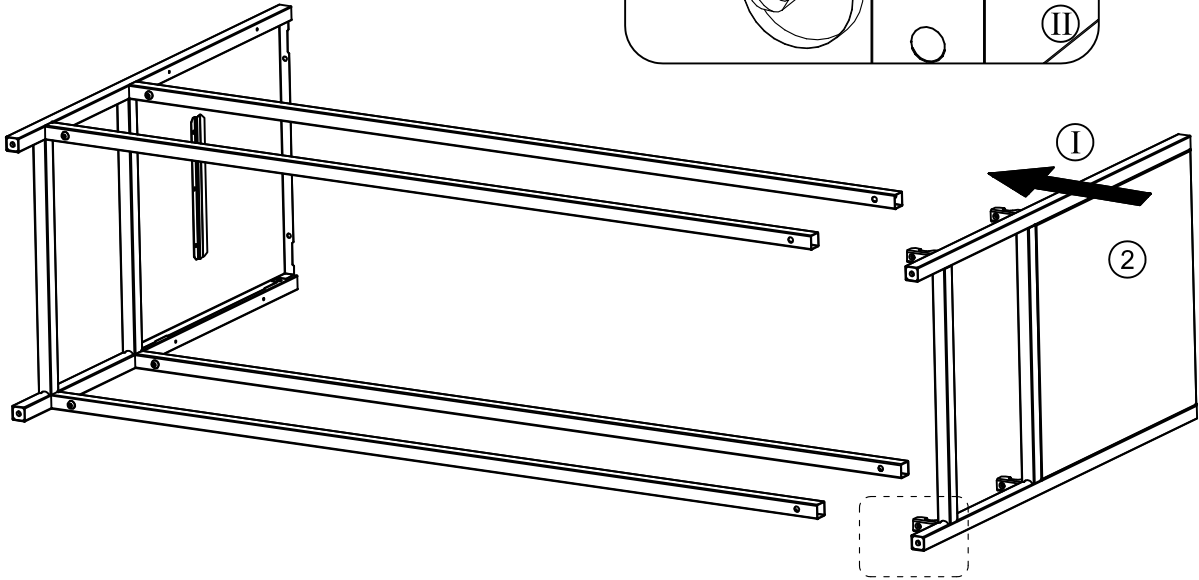
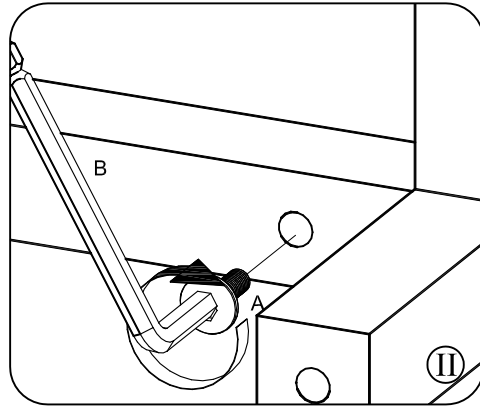
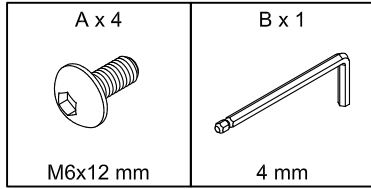


3

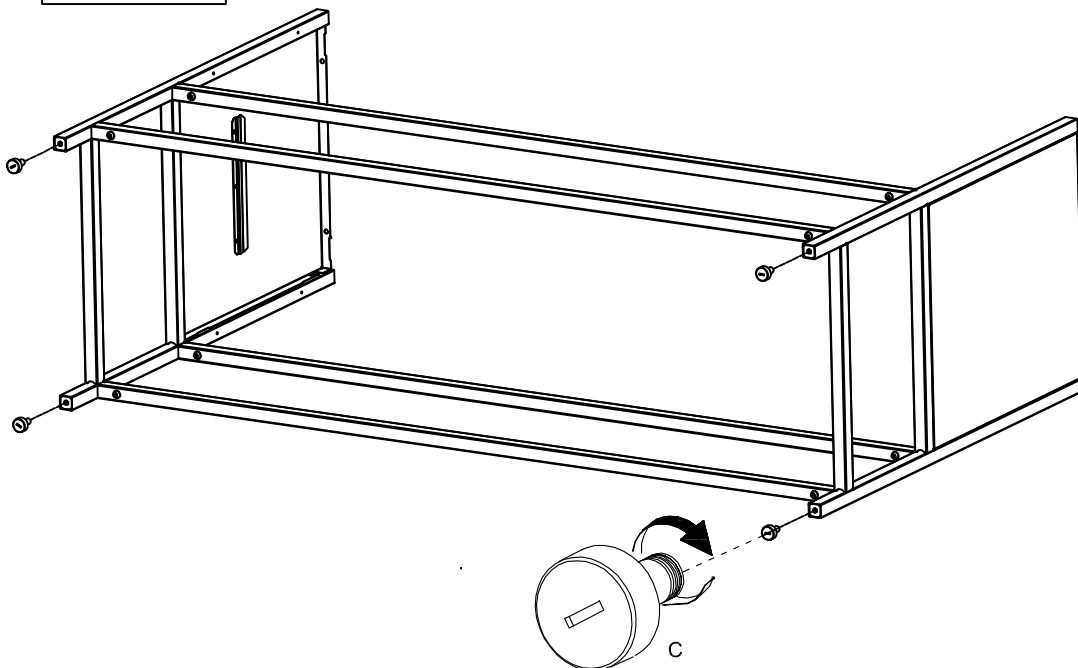
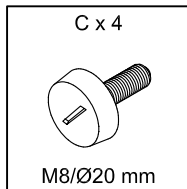
A x 1  M6x12 mm	B x 1  4 mm
--	--



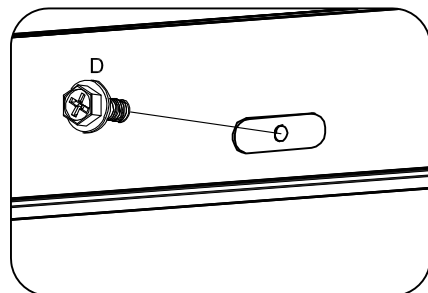
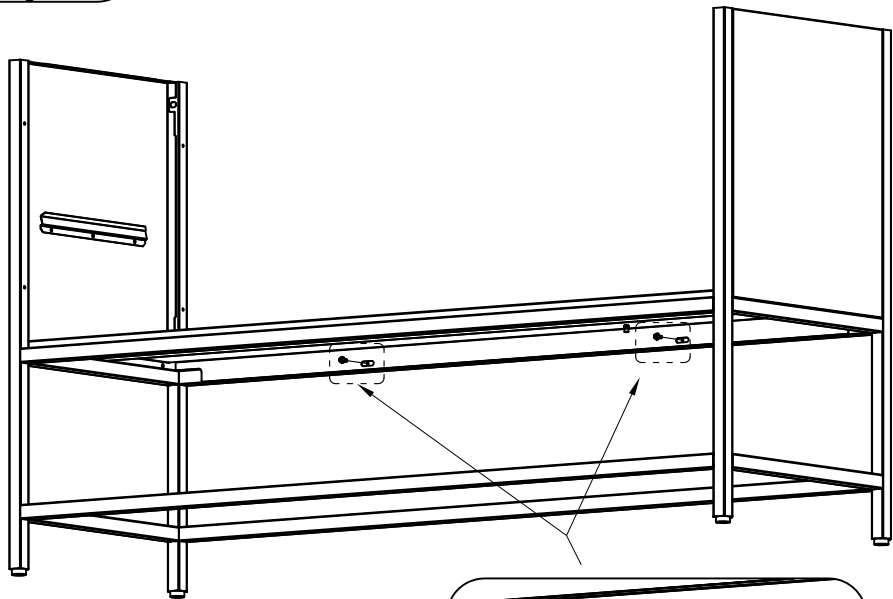
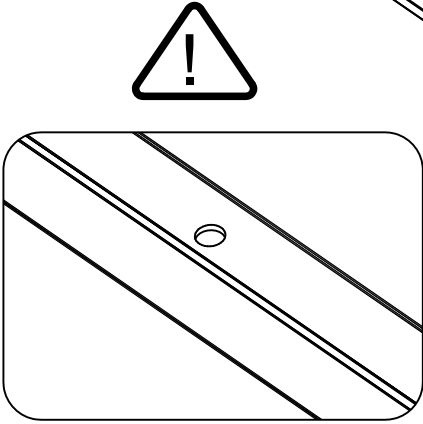
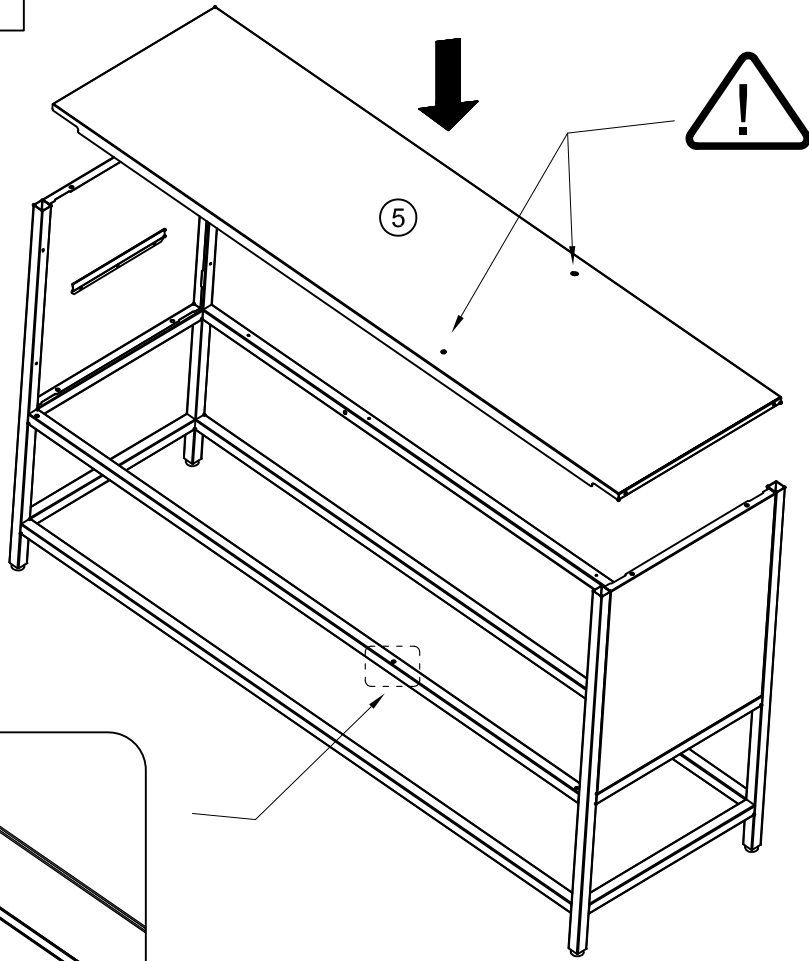
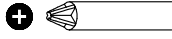
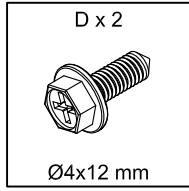
# 4



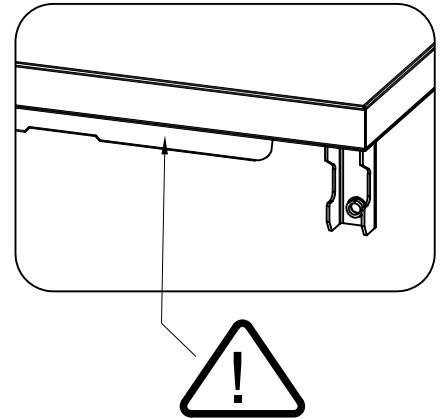
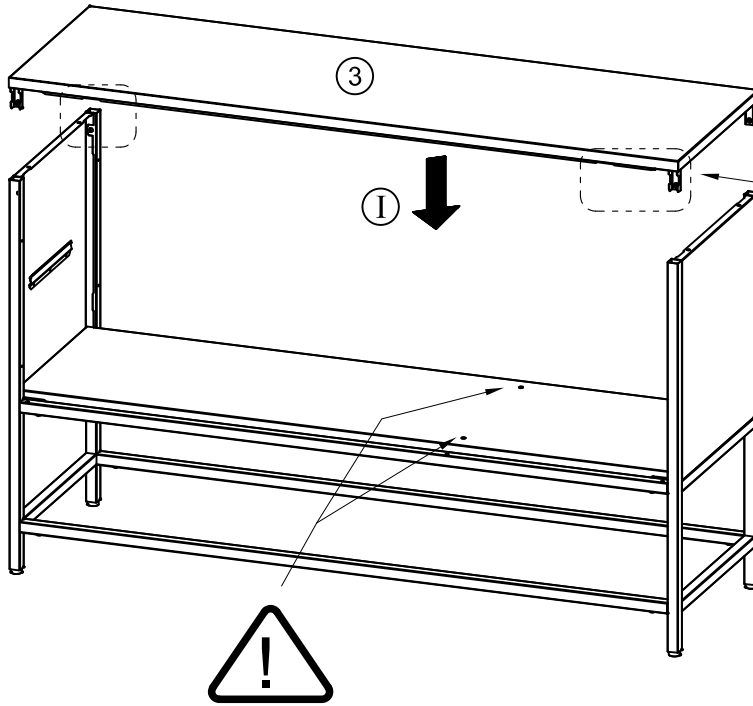
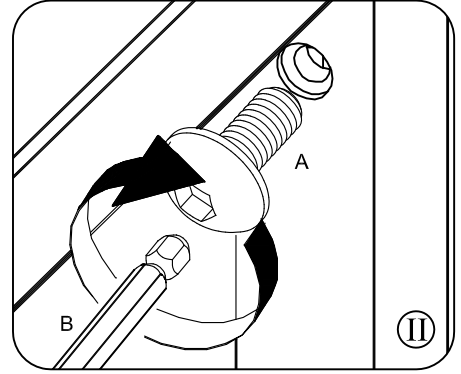
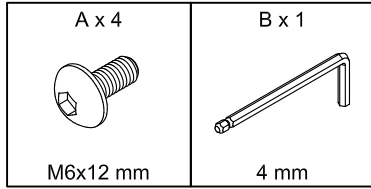
# 5



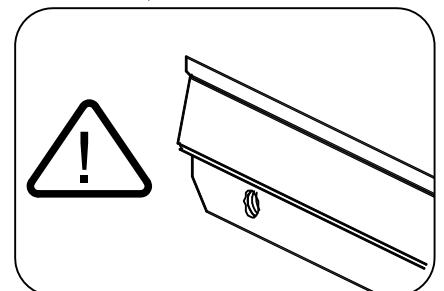
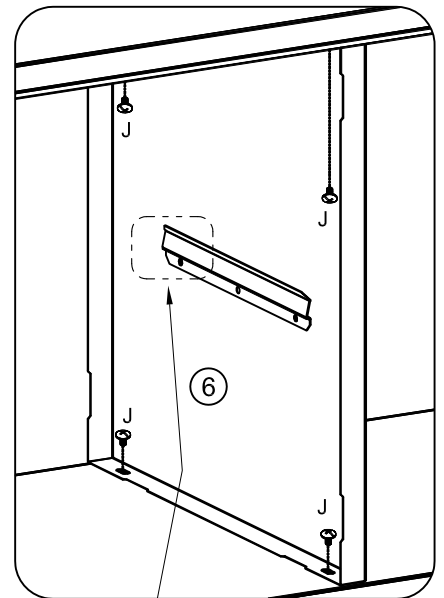
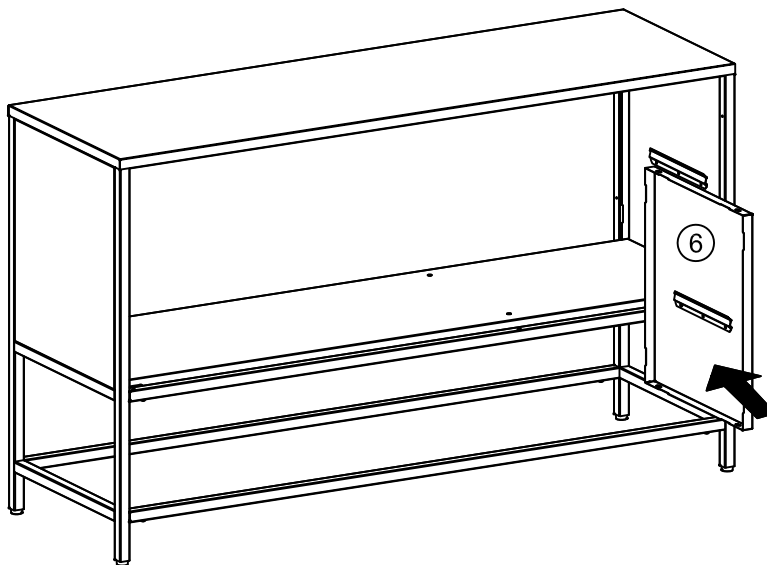
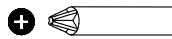
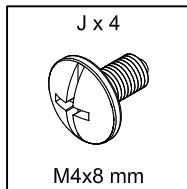
6



# 7

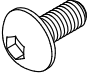
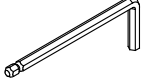
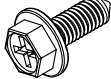
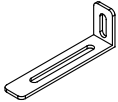


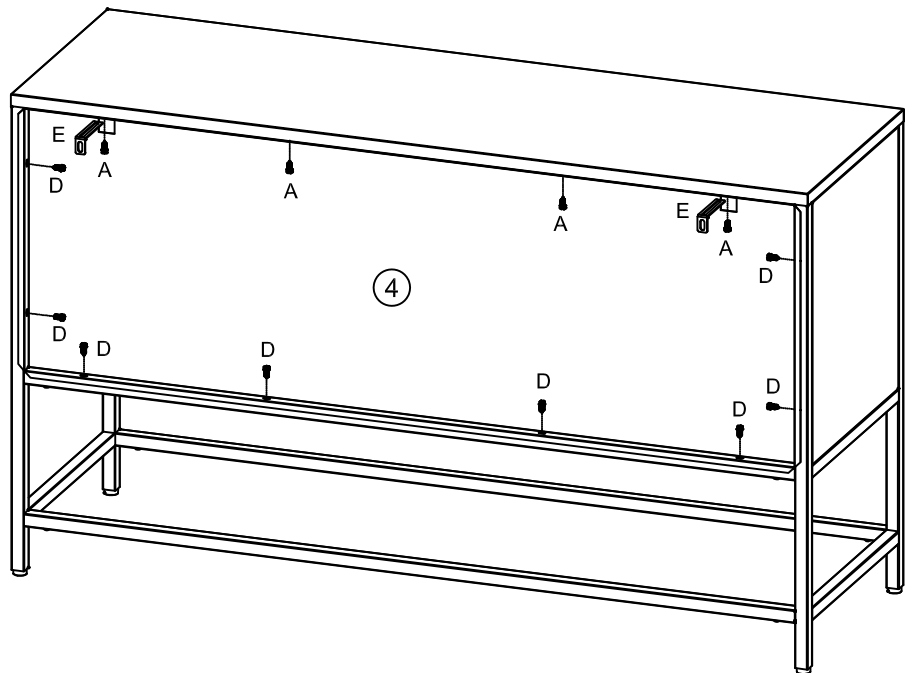
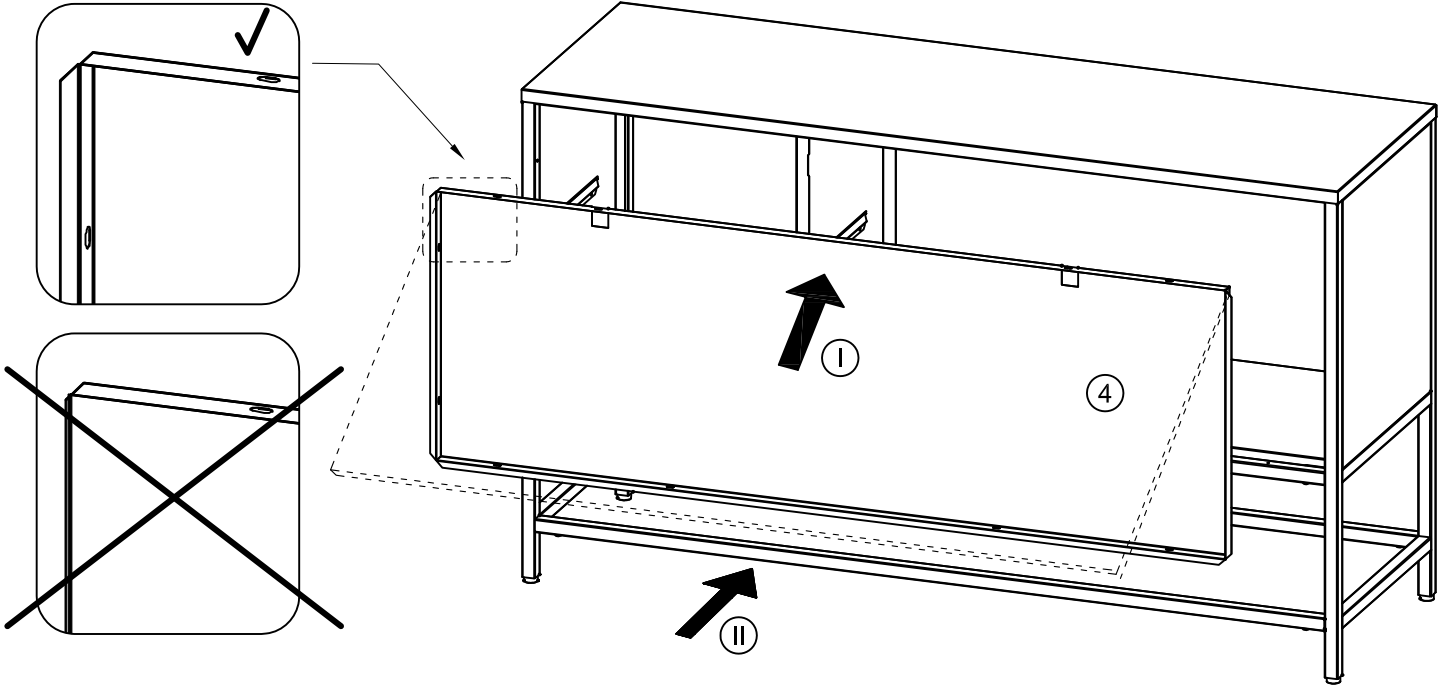
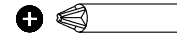
# 8



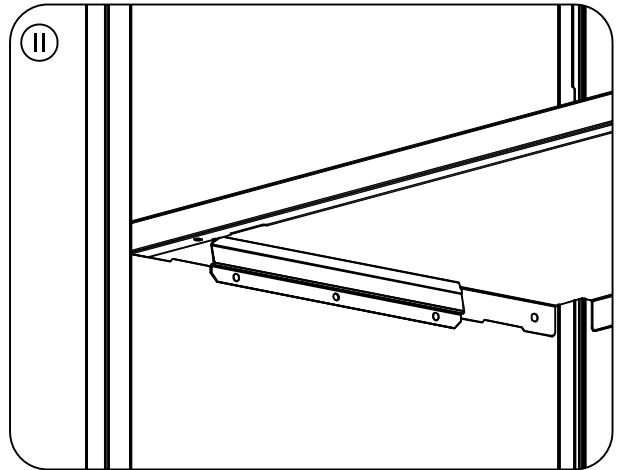
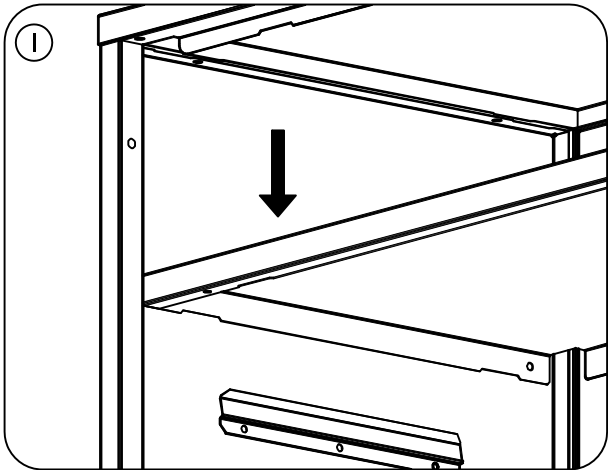
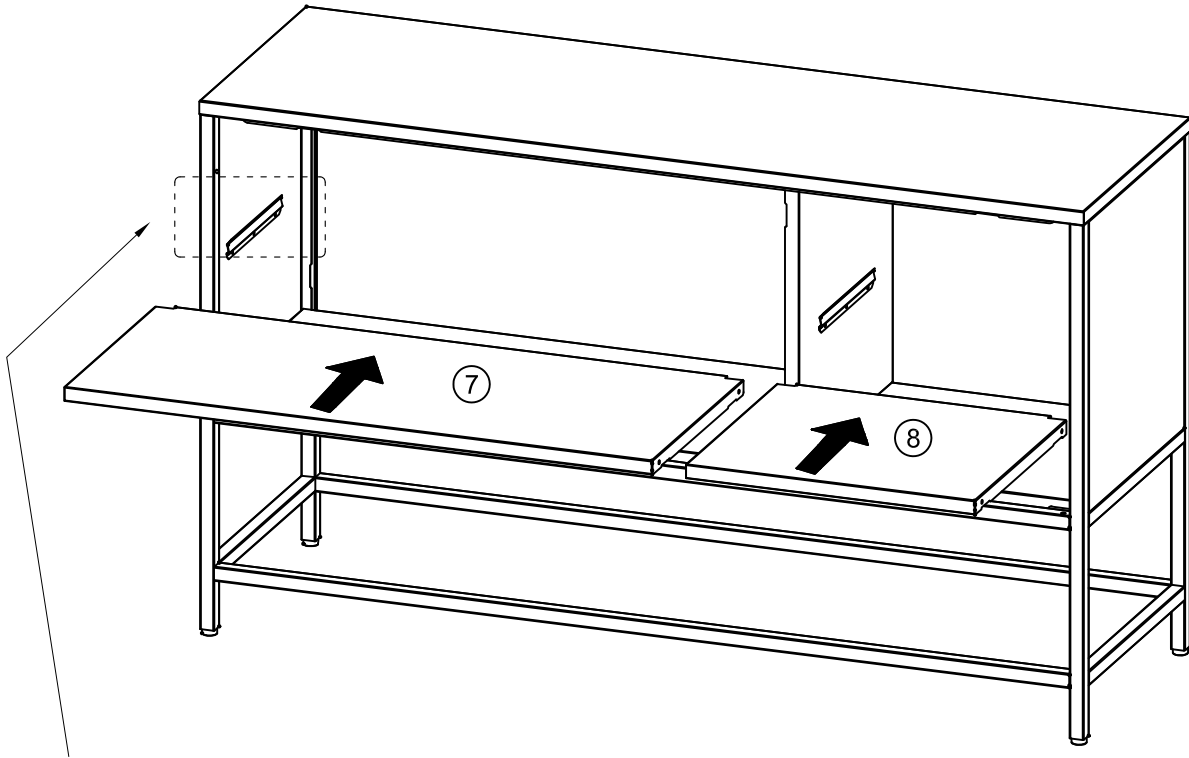


# 9

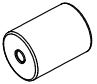
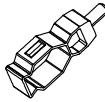

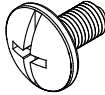
A x 4  M6x12 mm	B x 1  4 mm	D x 8  Ø4x12 mm	E x 2  75x25x15 mm
--	--	--	---

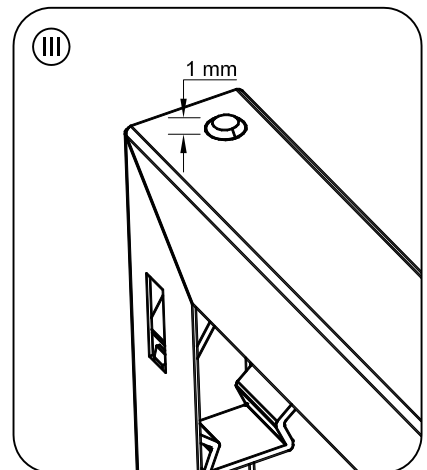
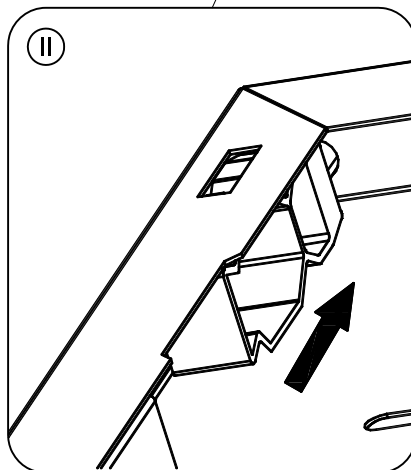
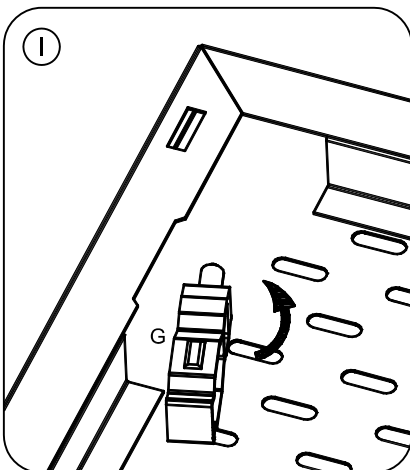
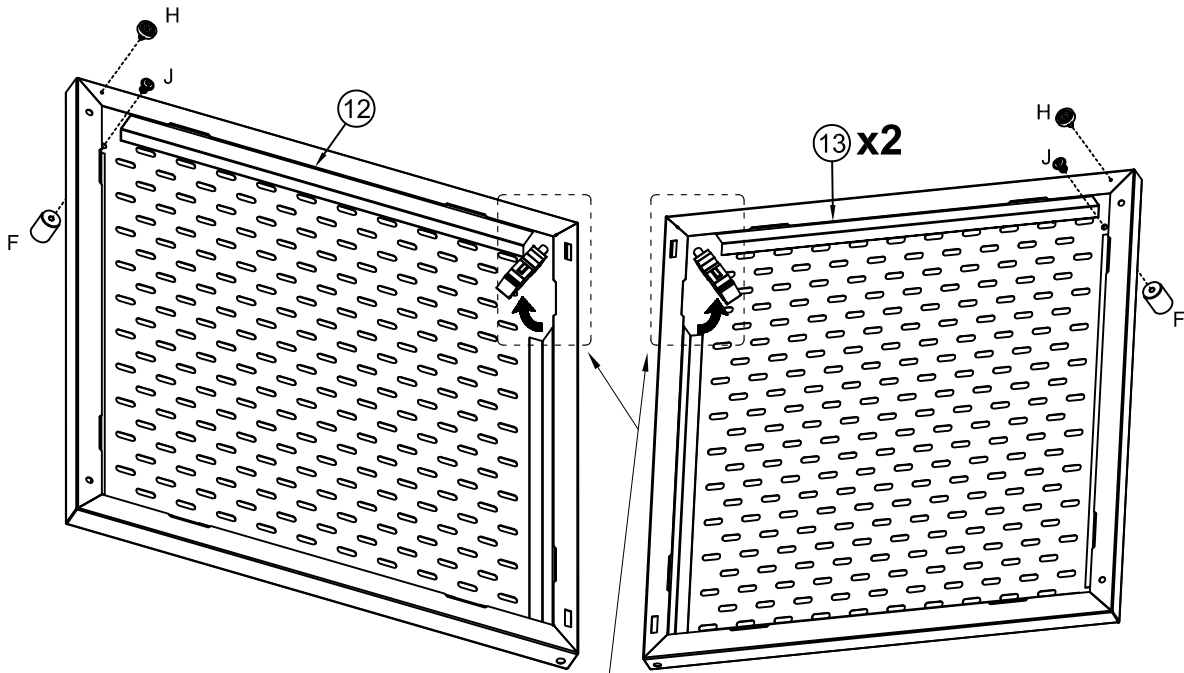
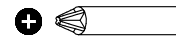


# 10

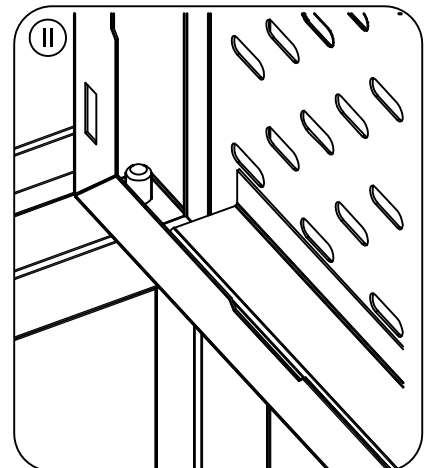
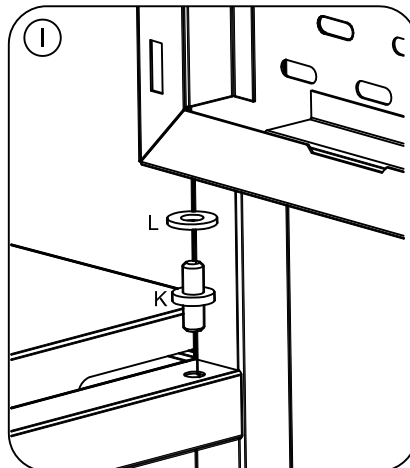
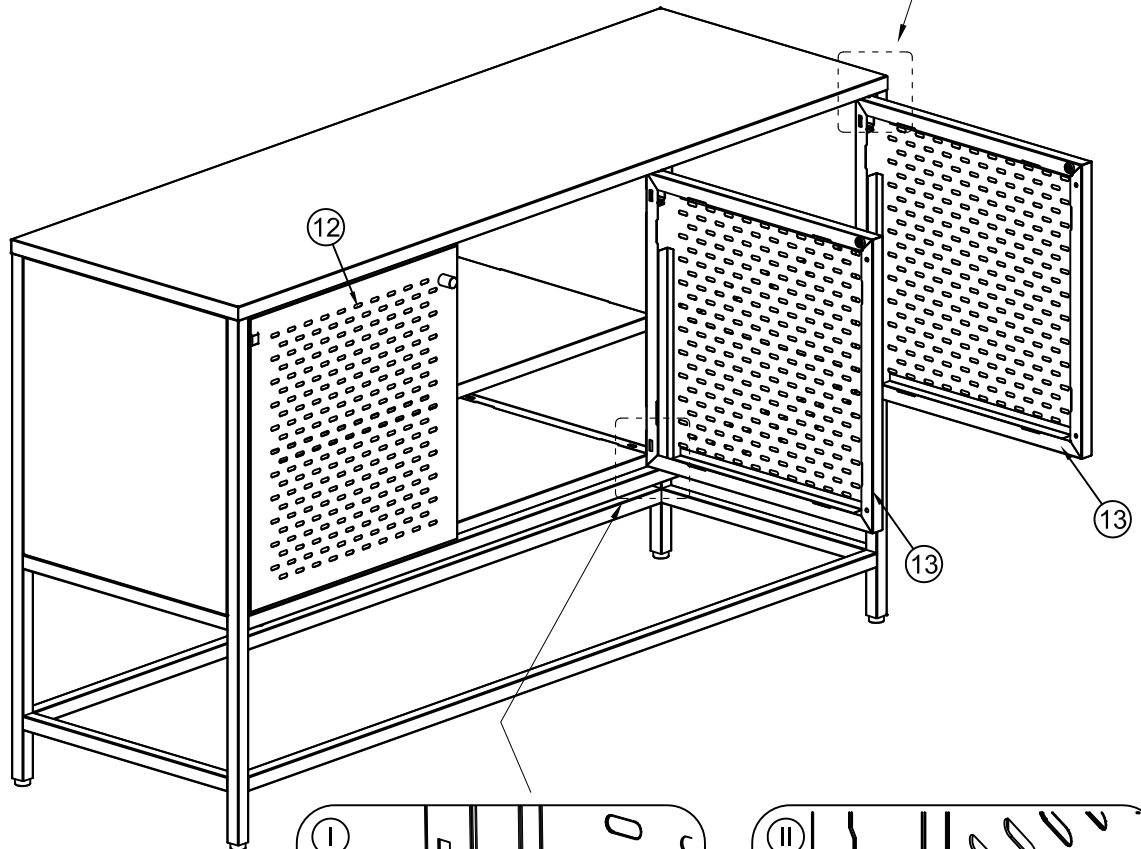
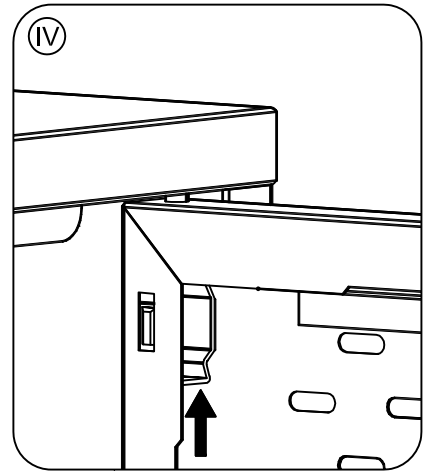
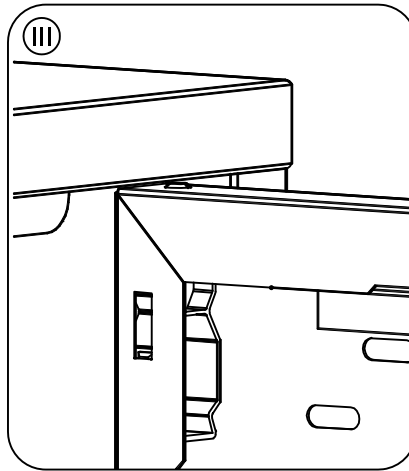
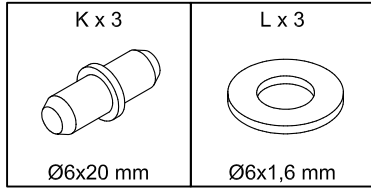


# 11

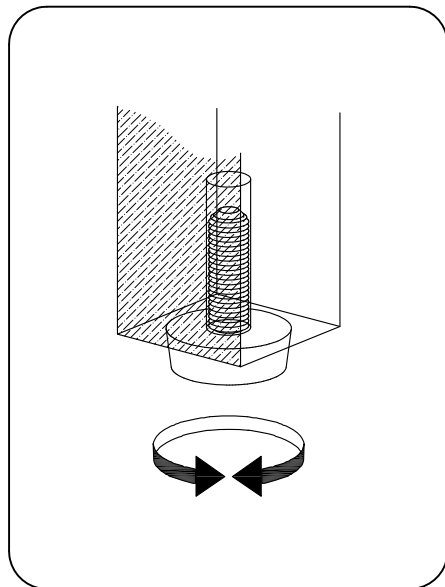
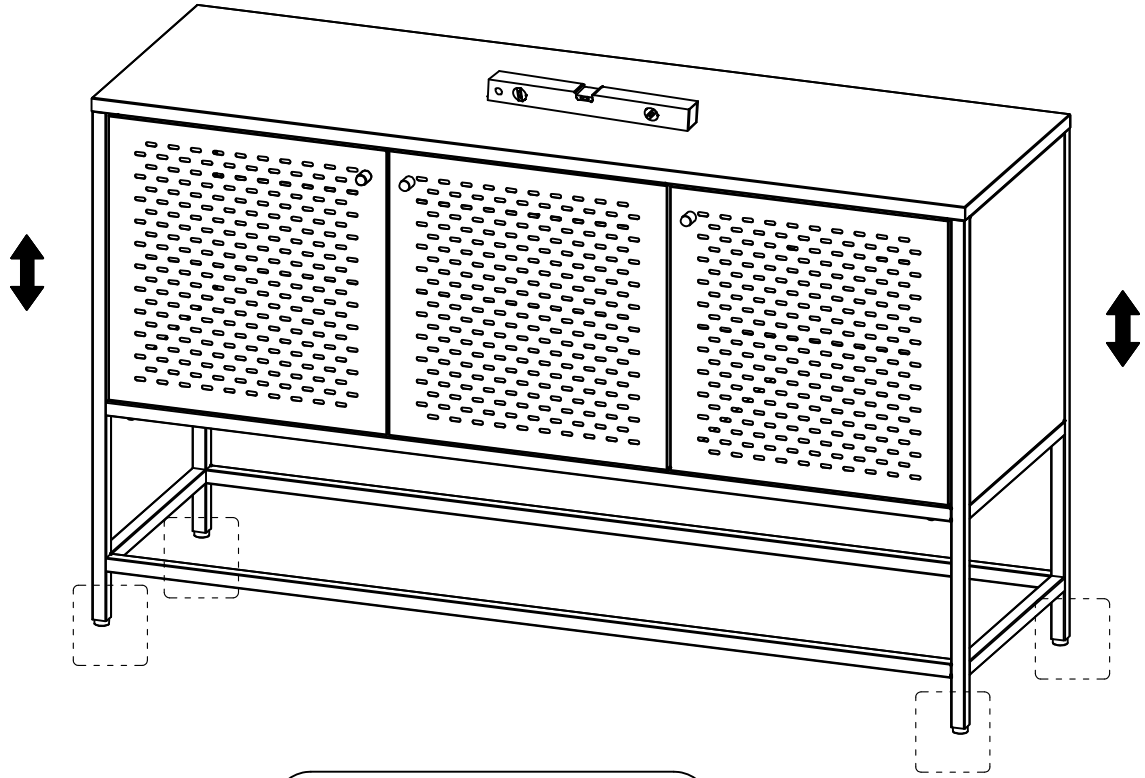
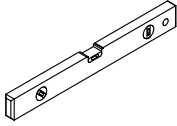
F x 3  Ø15x20 mm	G x 3  Ø6x58 mm	H x 3  Ø13,5/Ø3,5 mm	J x 3  M4x8 mm
---	--	---	---



# 12



13



# 14

