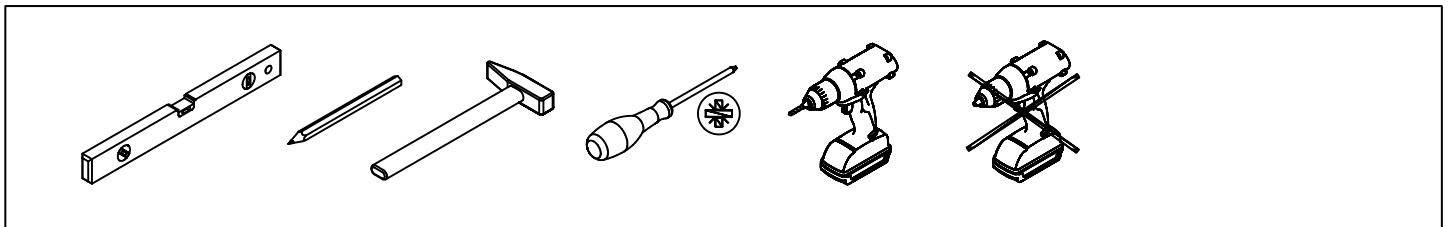
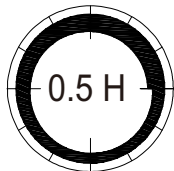
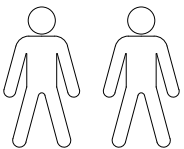
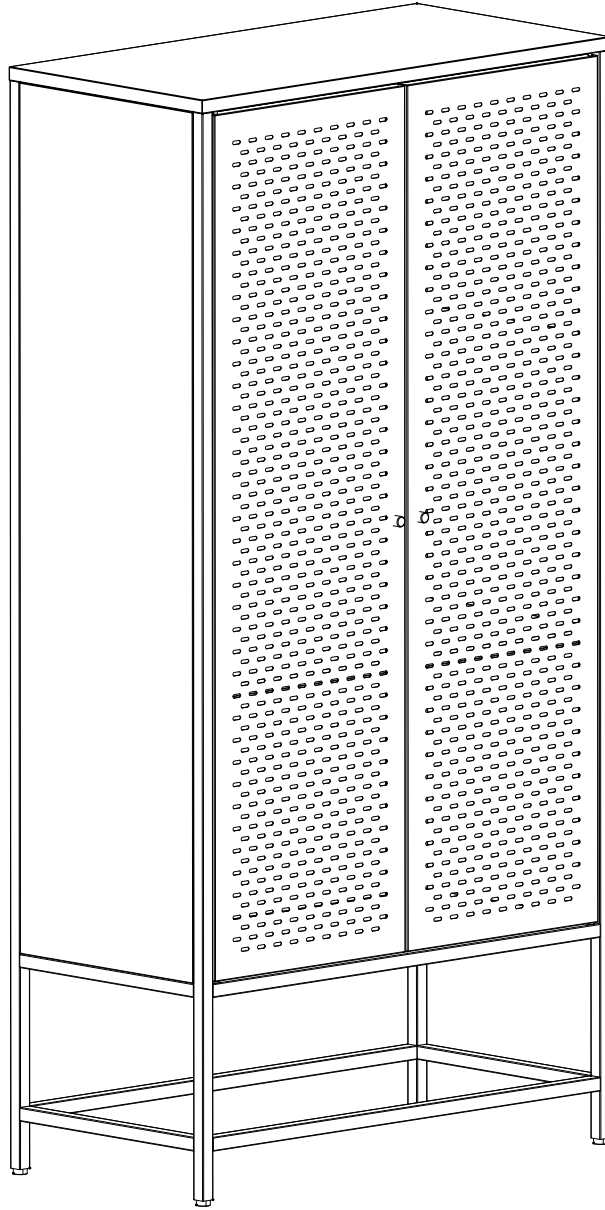
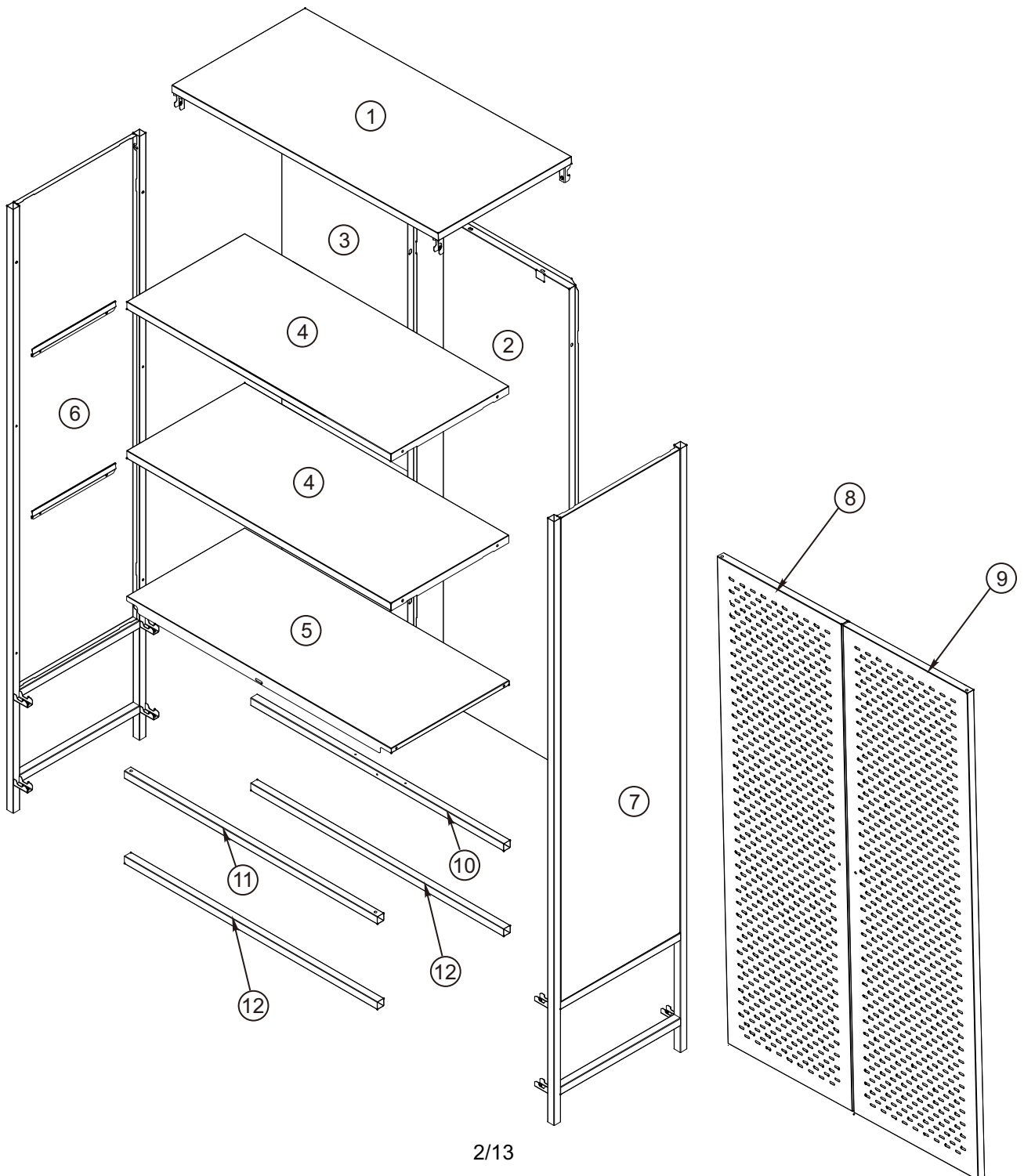


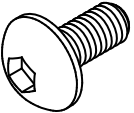

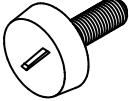
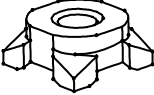
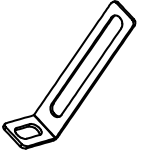

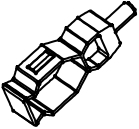
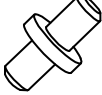



NEWCASTLE



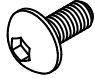

			✓
①	1	802 x 402 x 60	
②	1	1268 x 389 x 18	
③	1	1268 x 399 x 18	
④	2	795 x 355 x 20	
⑤	1	795 x 355 x 32	
⑥	1	1572 x 400 x 60	

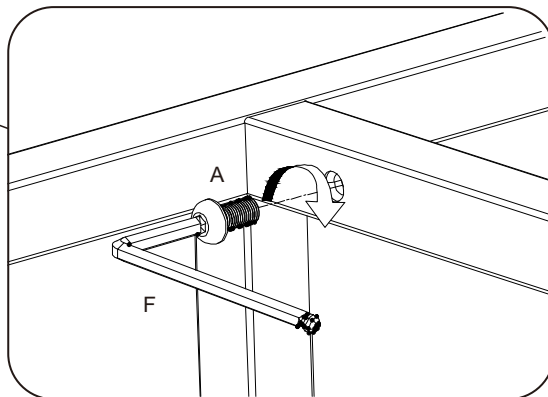
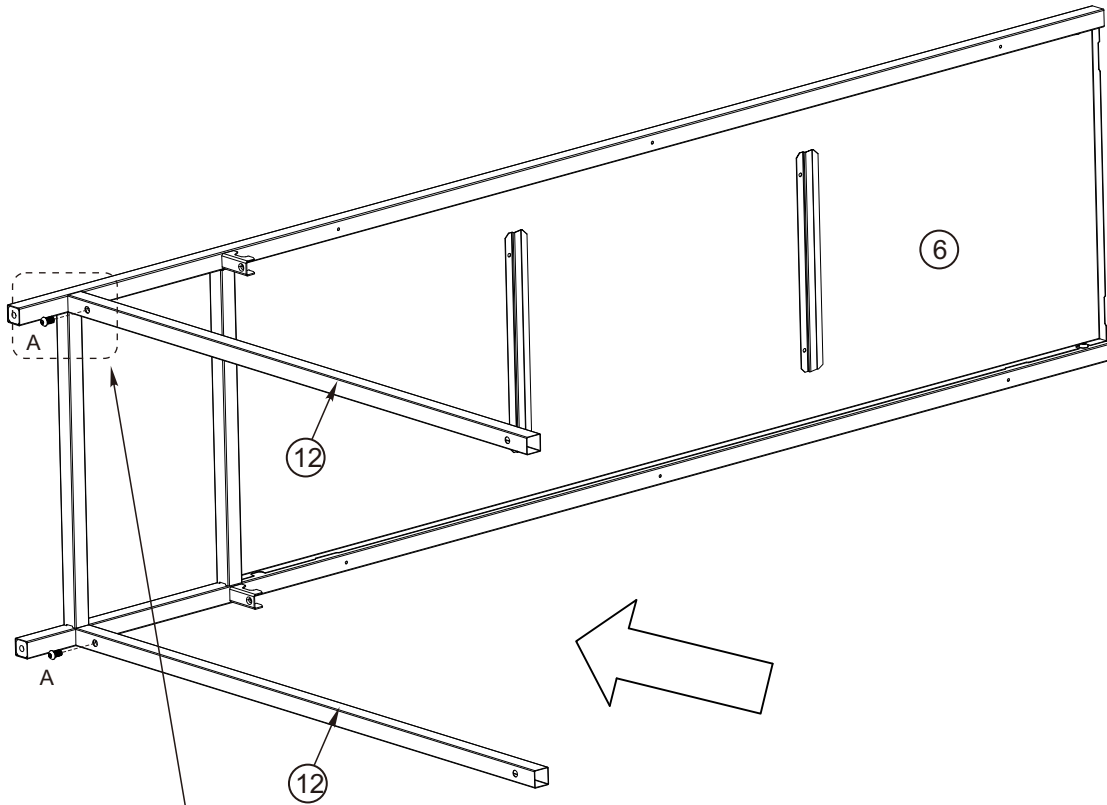
			✓
⑦	1	1572 x 400 x 60	
⑧	1	1253 x 374 x 20	
⑨	1	1253 x 374 x 20	
⑩	1	760 x 20 x 20	
⑪	1	760 x 20 x 20	
⑫	2	760 x 20 x 20	



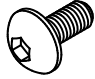

<p>A x 12</p>  <p>M6x12 mm</p>	<p>B x 12</p>  <p>Ø4x12 mm</p>	<p>C x 4</p>  <p>M8xØ20 mm</p>	<p>D x 3</p>  <p>M4/5 mm</p>	<p>E x 2</p>  <p>75x25x15 mm</p>
<p>F x 1</p>  <p>4 mm</p>	<p>G x 2</p>  <p>Ø6x58 mm</p>	<p>H x 2</p>  <p>Ø6x20 mm</p>	<p>J x 2</p>  <p>Ø15x20 mm</p>	<p>K x 5</p>  <p>M4x8 mm</p>
<p>L x 4</p>  <p>Ø13.5 mm / Ø3.5</p>				

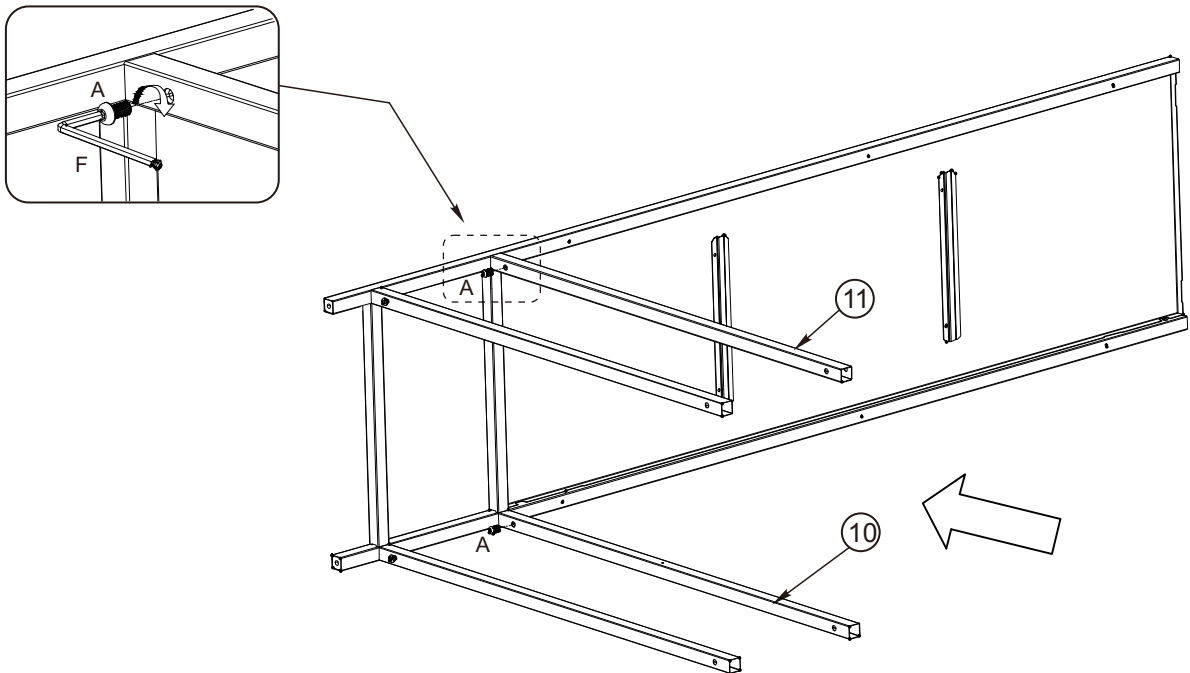
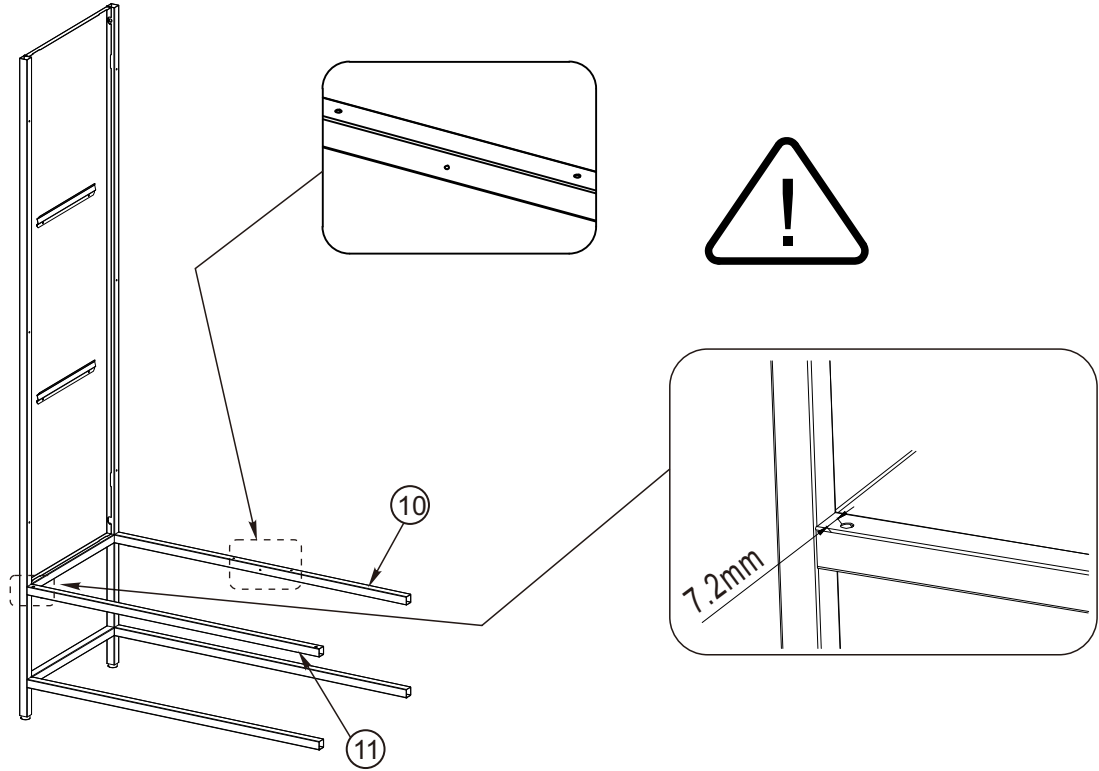
1

A x 2  M6x12 mm	F x 1  4 mm
--	--

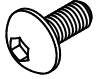

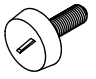


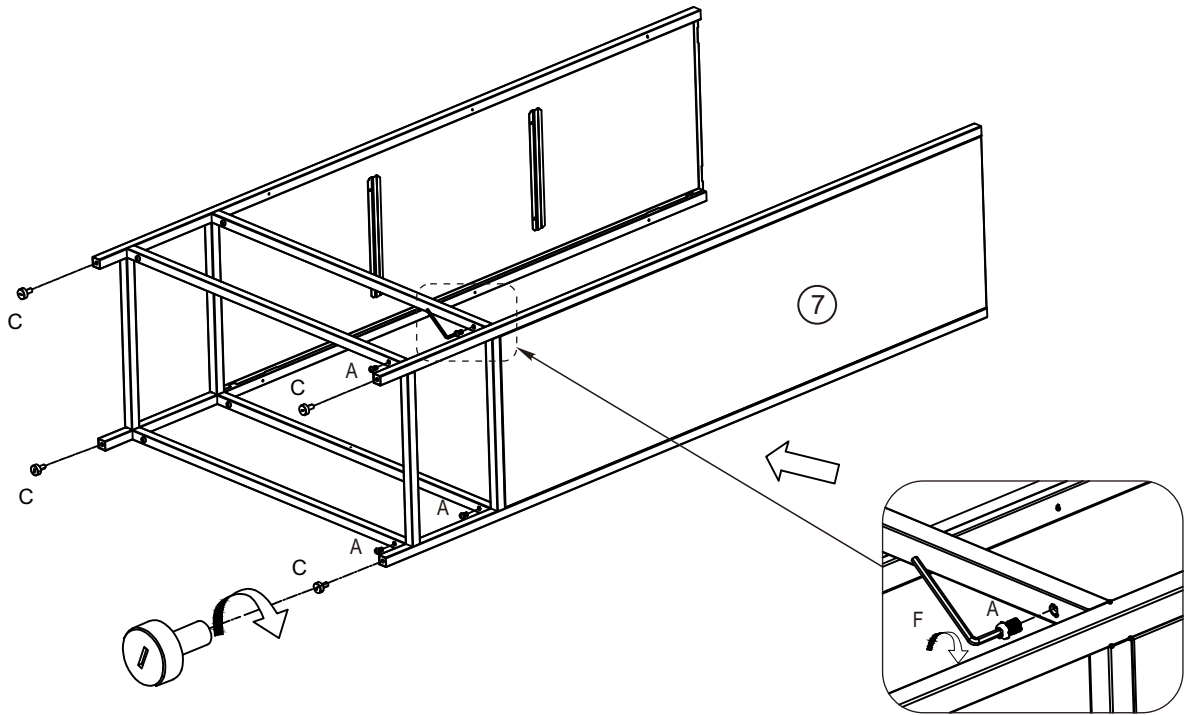
2

A x 2  M6x12 mm	F x 1  4 mm
--	--

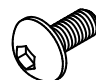



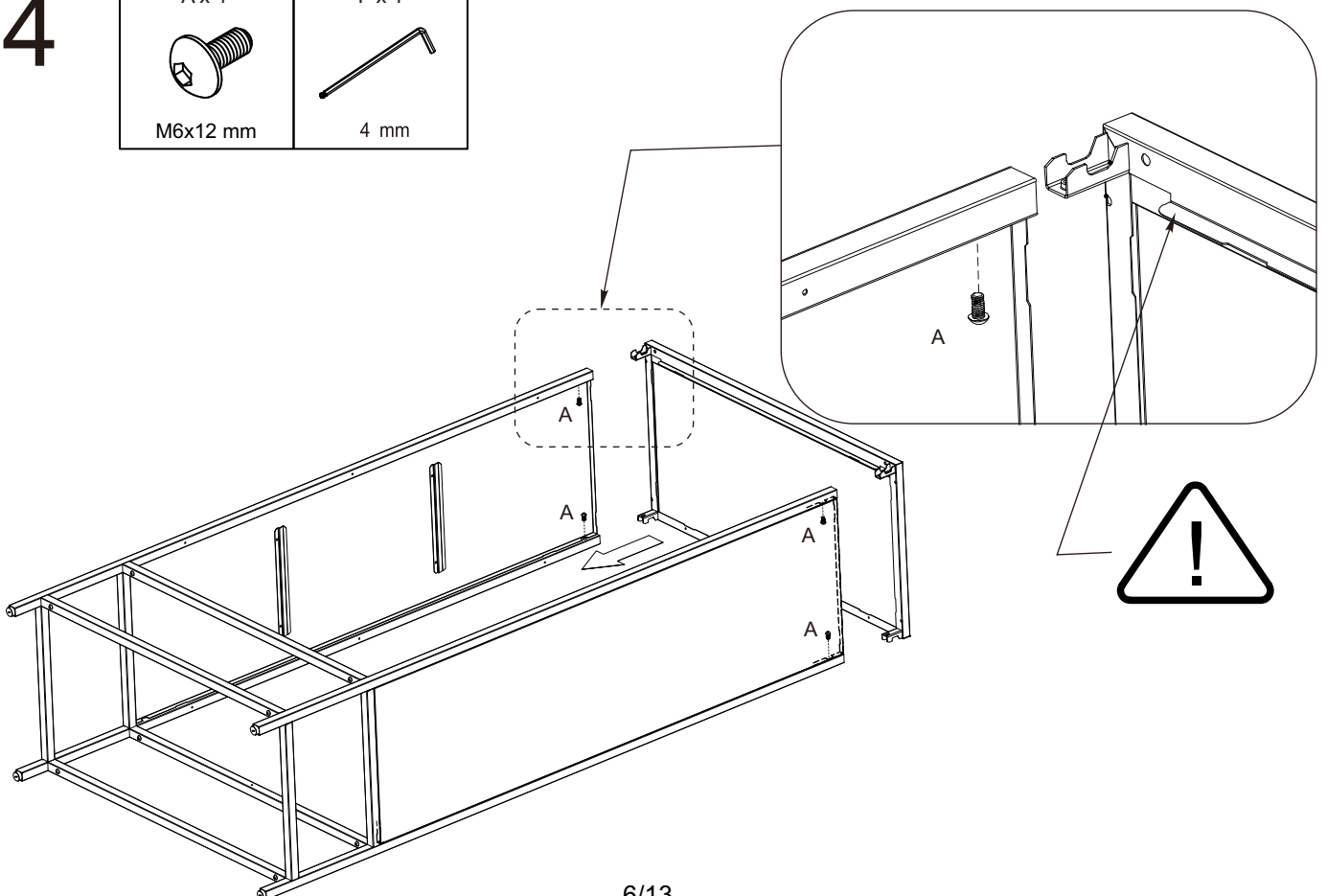
3

A x 4  M6x12 mm	F x 1  4 mm	C x 4  M8xØ20 mm
--	--	---





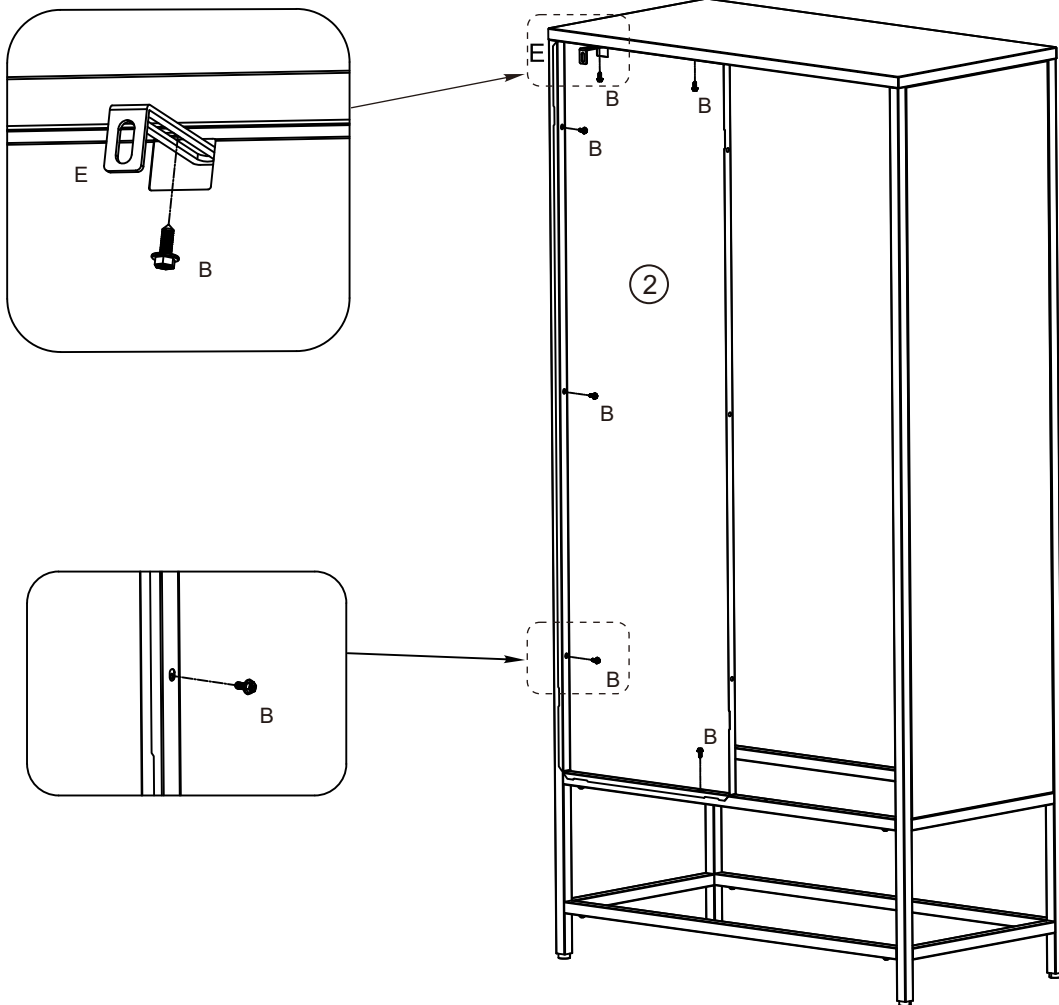
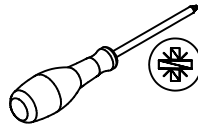
4

A x 4  M6x12 mm	F x 1  4 mm
--	--







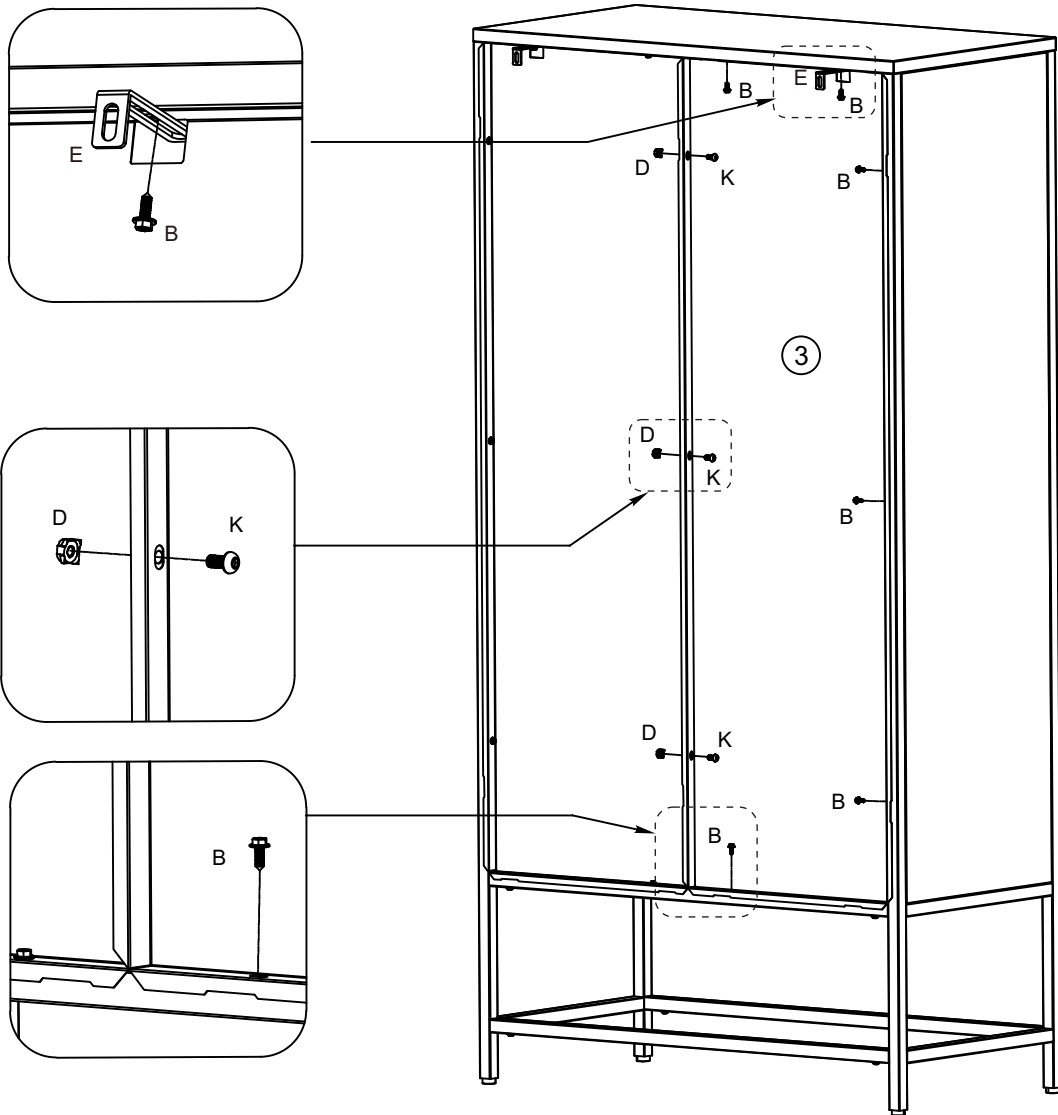
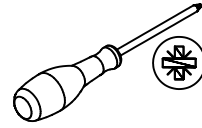
5

B x 6  Ø4x12 mm	E x 1  75x25x15 mm
--	---

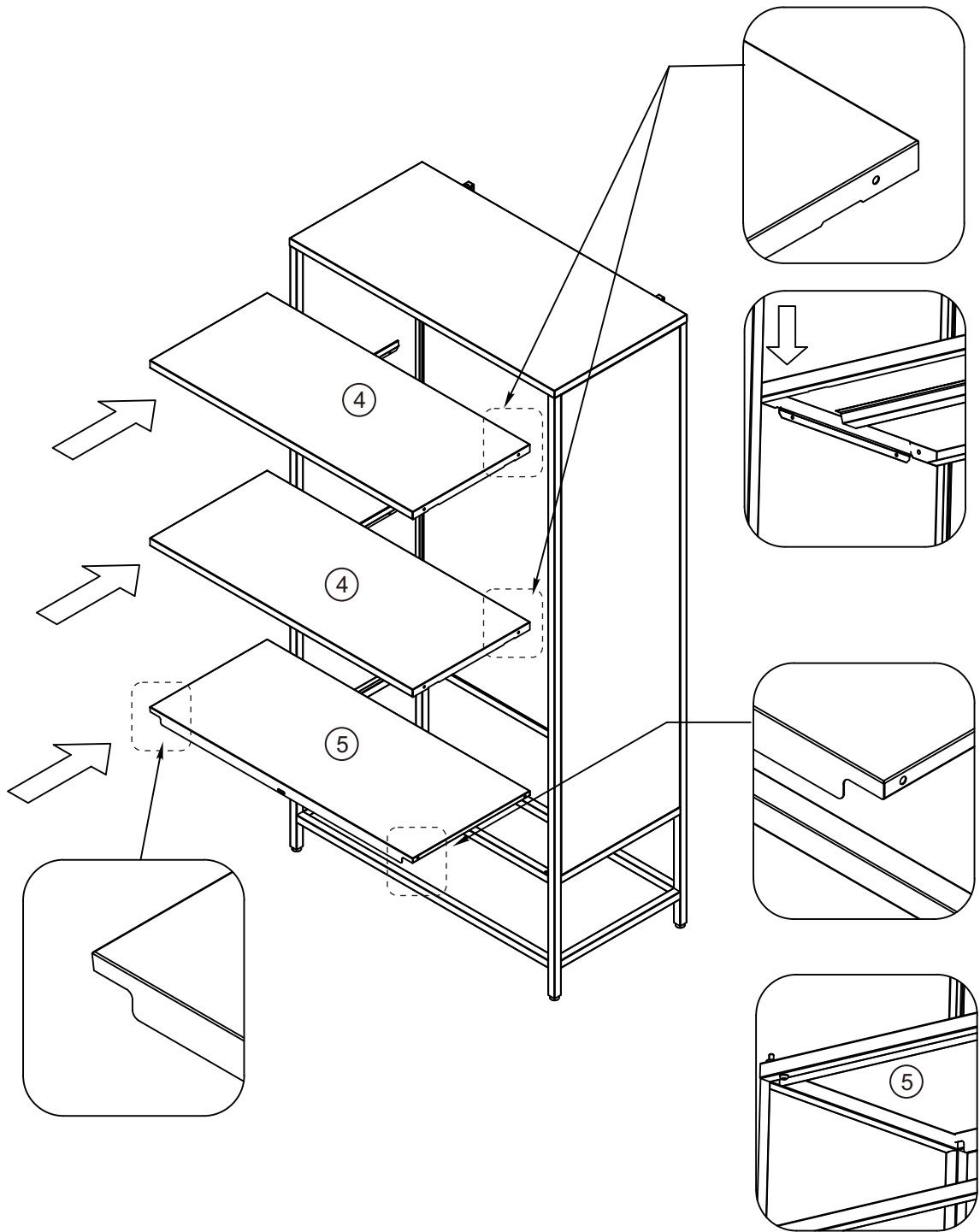


6

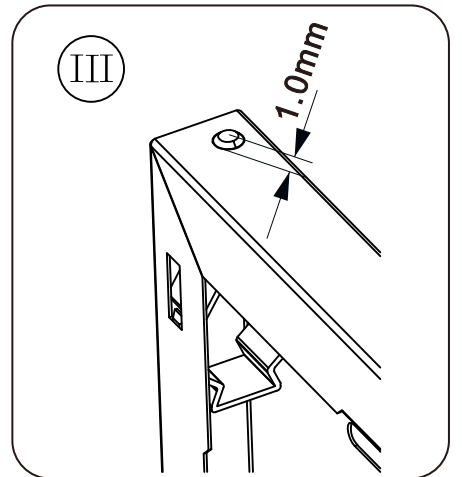
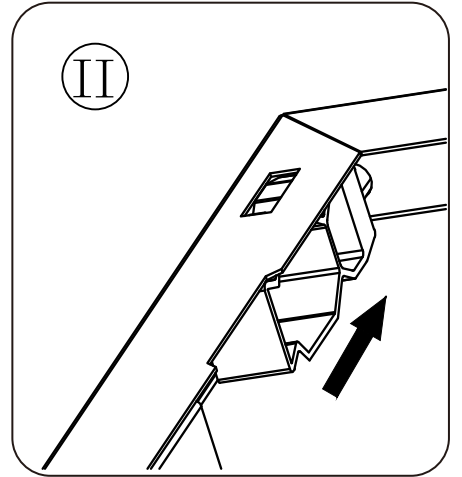
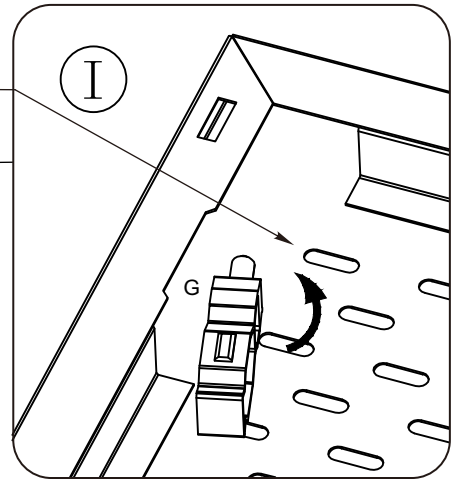
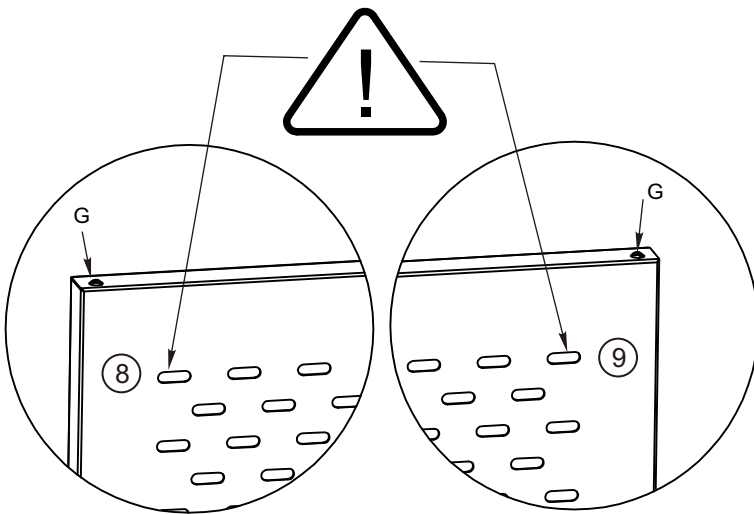
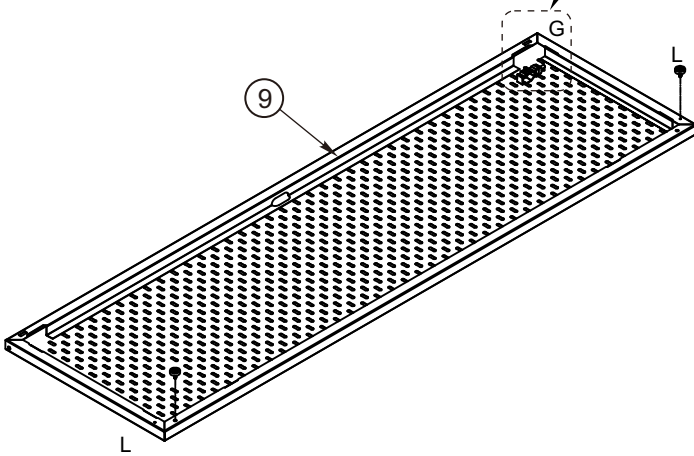
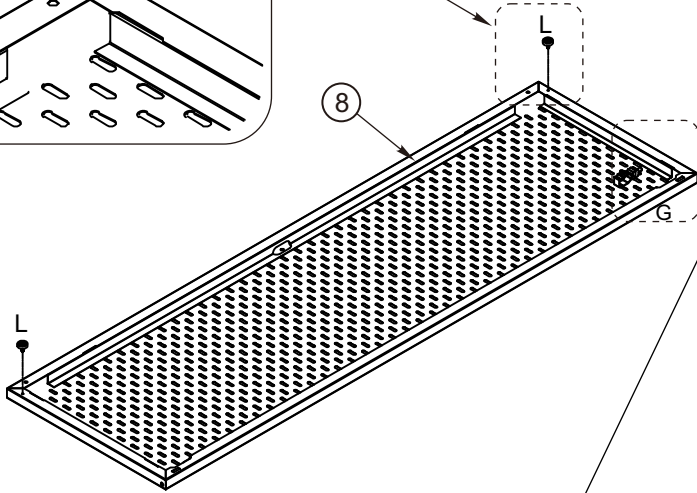
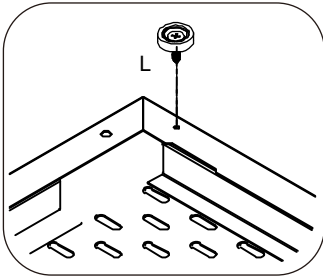
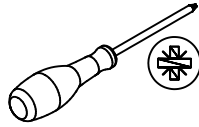
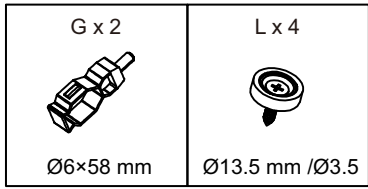
B x 6  Ø4x12 mm	D x 3  M4/5 mm	E x 1  75x25x15 mm	K x 3  M4x8 mm
--	---	---	---






7

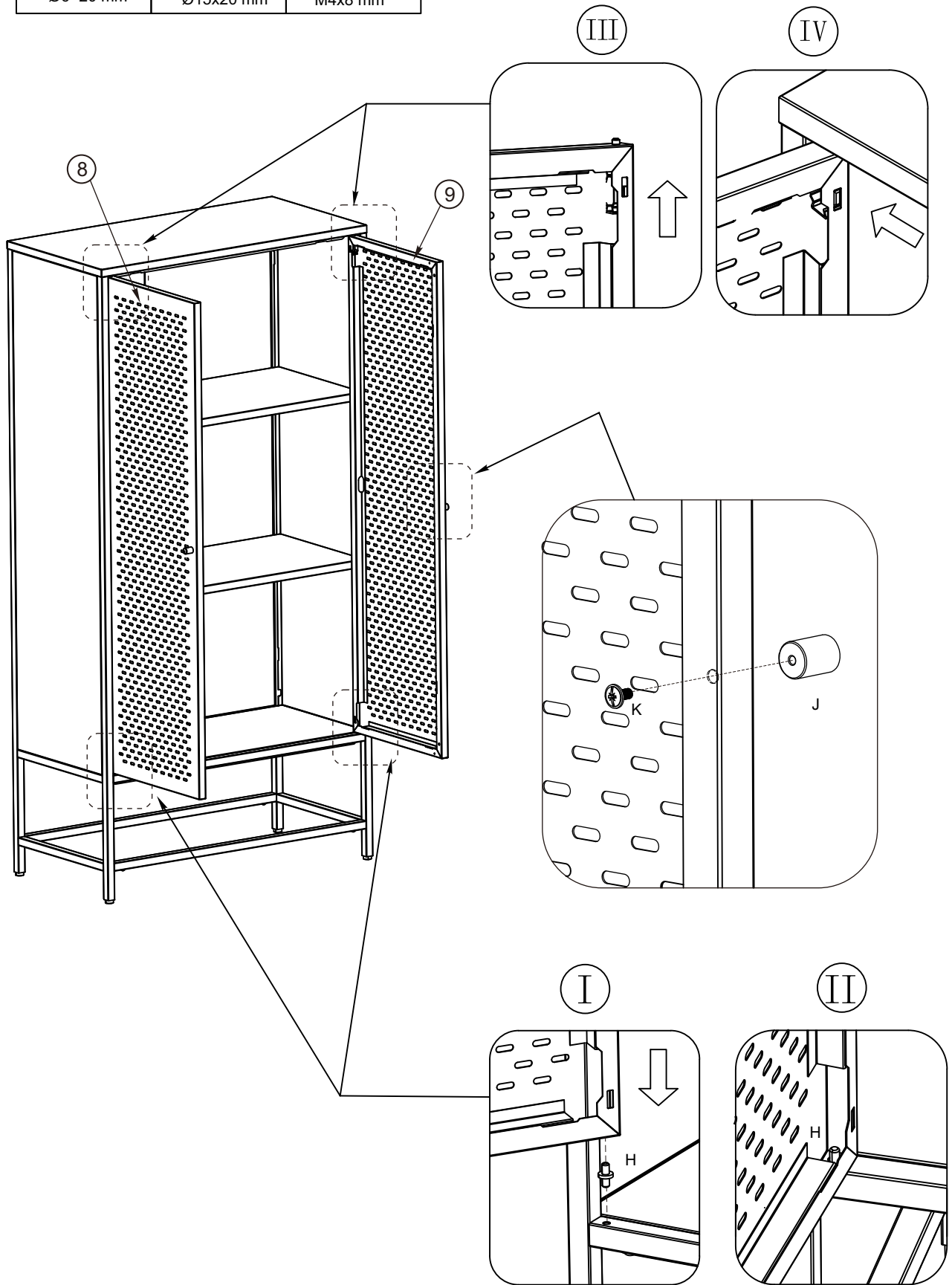
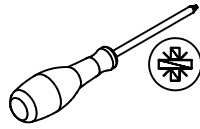


8

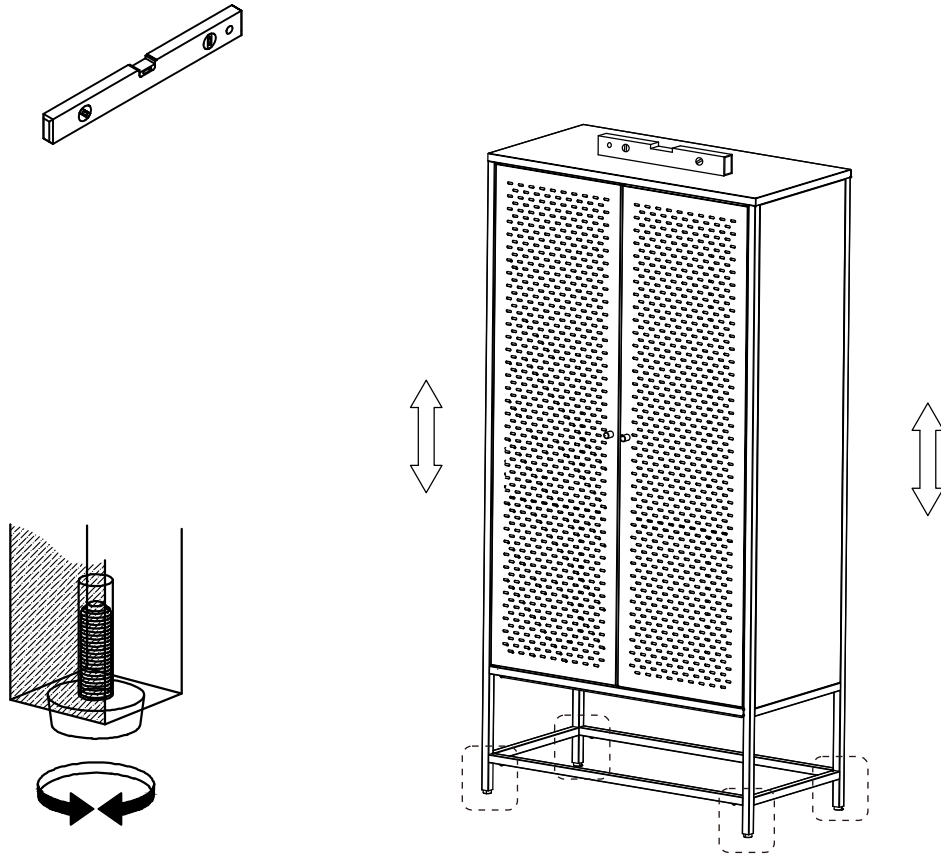


9

H x 2  Ø6x20 mm	J x 2  Ø15x20 mm	K x 2  M4x8 mm
--	---	---



10



11

