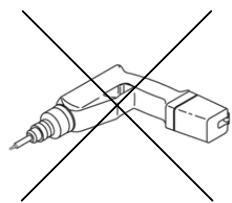
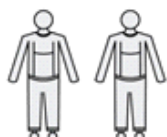
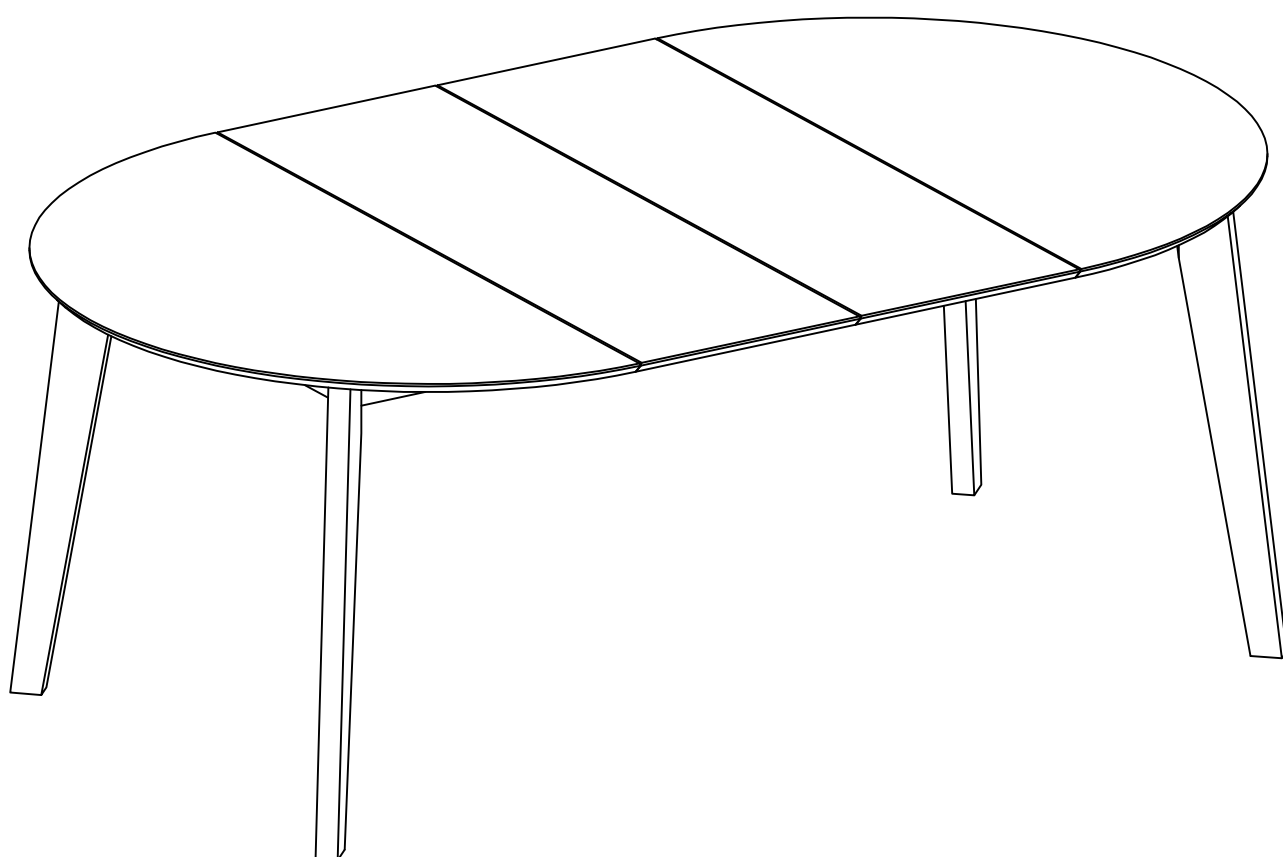
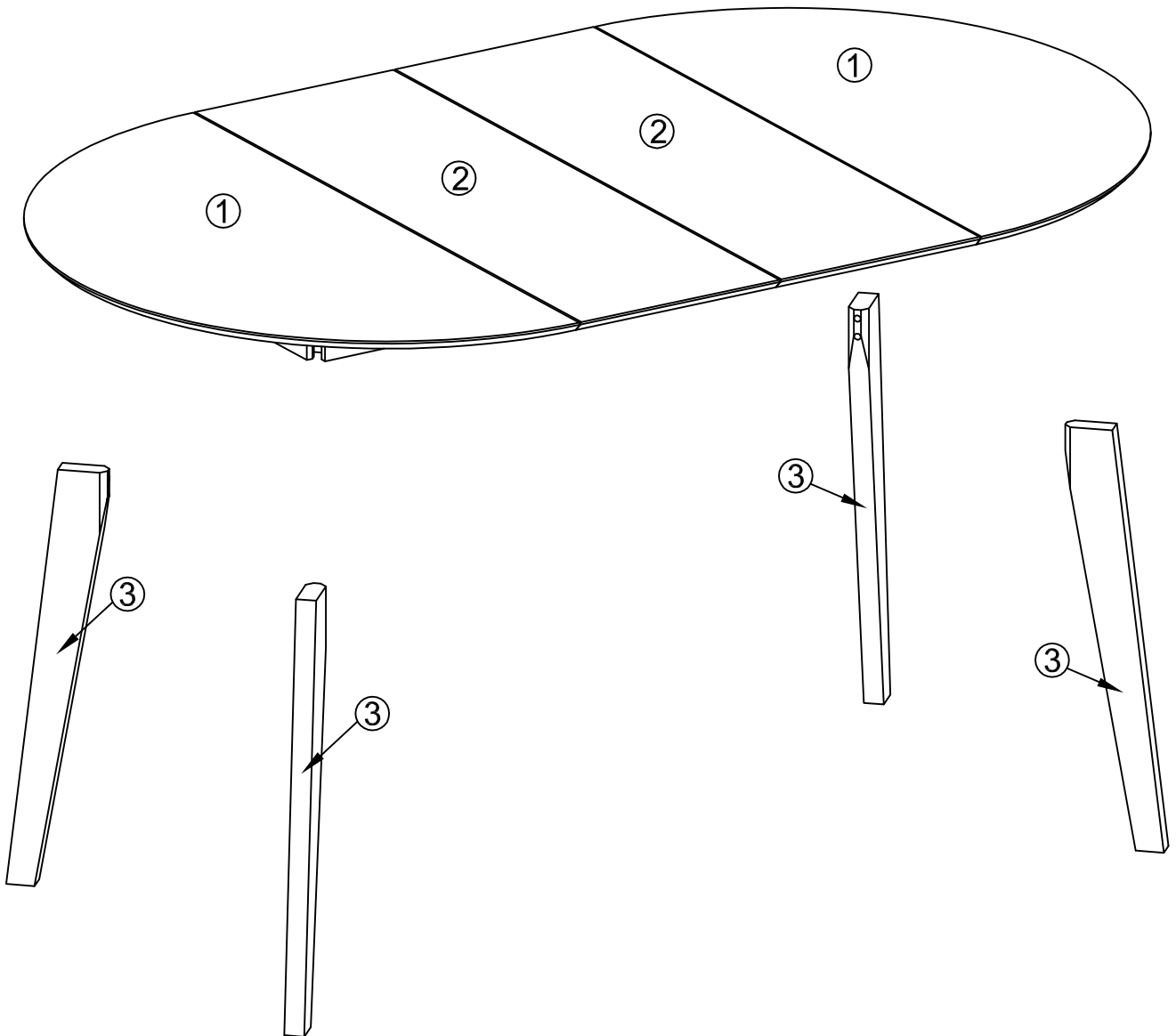




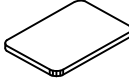


GEORGETOWN




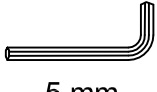


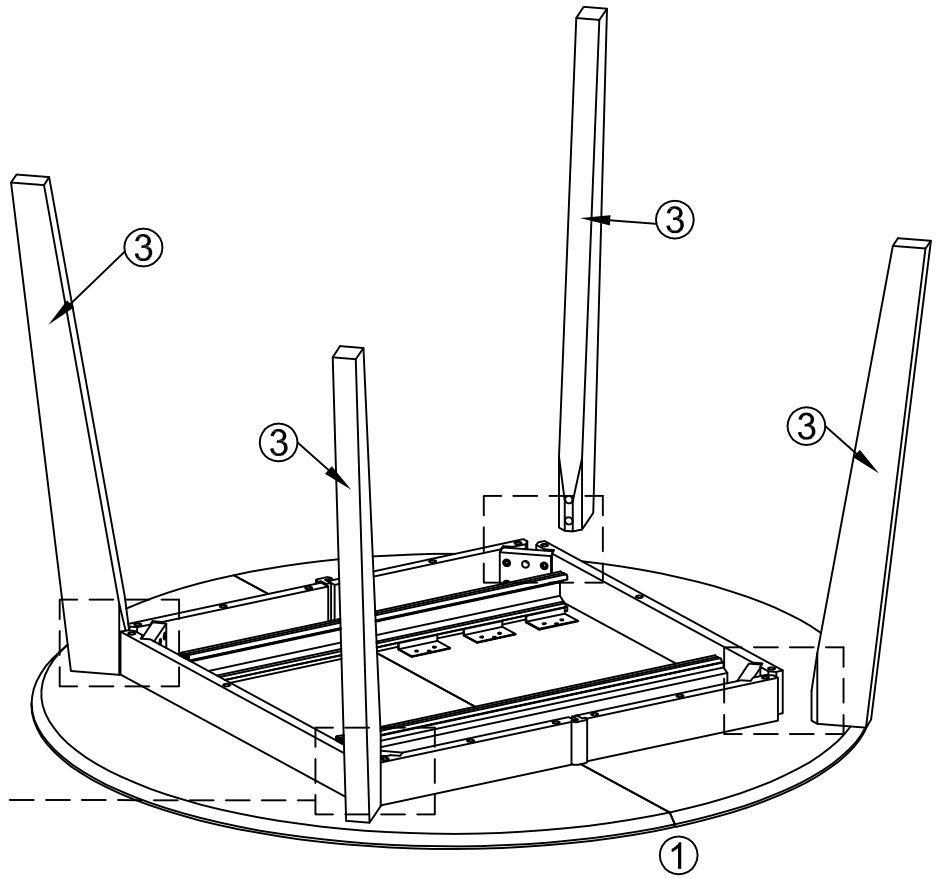
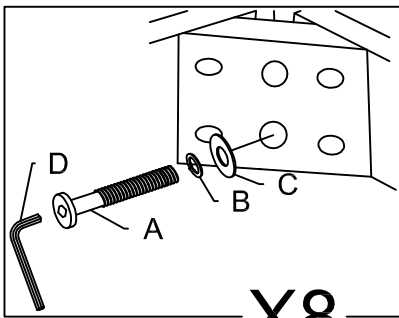
			✓
①	1	(600+600) x 1200 x 83	
②	2	390 x 1200	
③	4	730 x 82 x 34	




<p>A x 8</p>  <p>M8 x 70 mm</p>	<p>B x 8</p>  <p>Ø8 mm</p>	<p>C x 8</p>  <p>Ø8 mm</p>	<p>D x 1</p>  <p>5 mm</p>	<p>E x 4</p>  <p>25 x 15 mm</p>
---	---	---	---	--

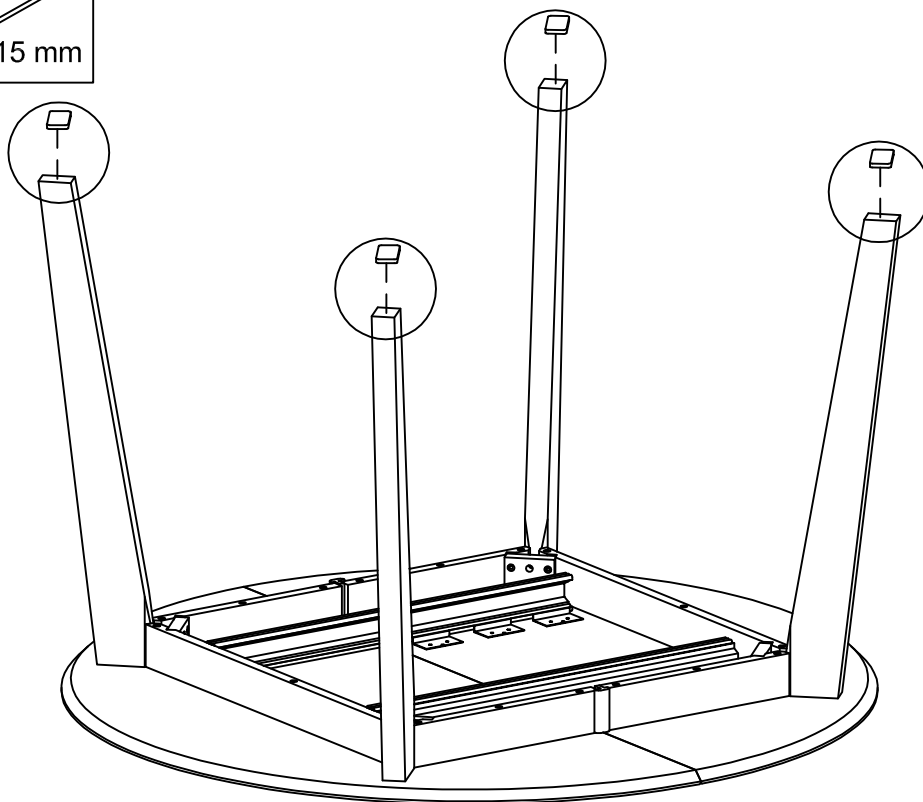
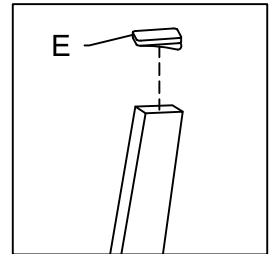
1

A x 8  M8 x 70 mm	B x 8  Ø 8 mm
C x 8  Ø 8 mm	D x 1  5 mm

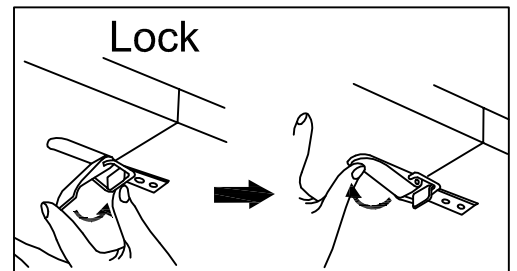
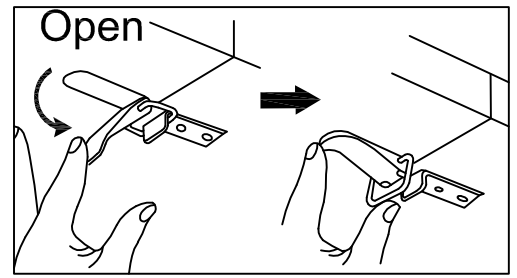
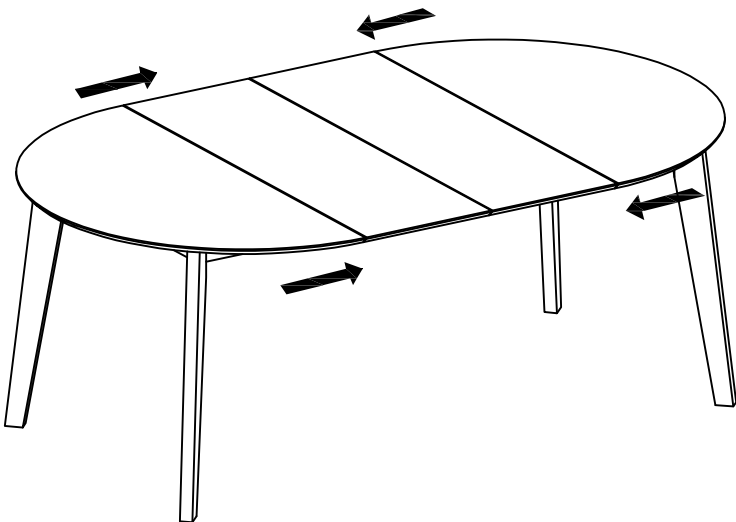
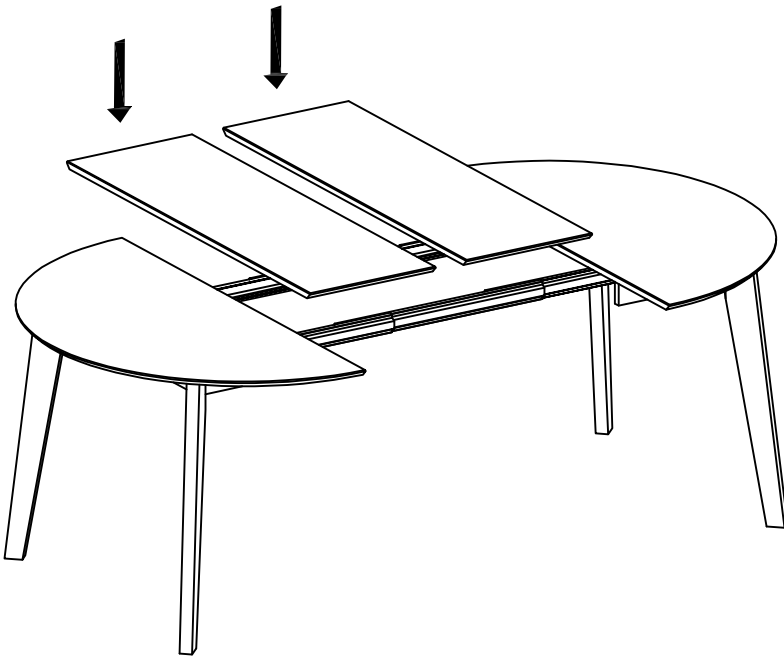
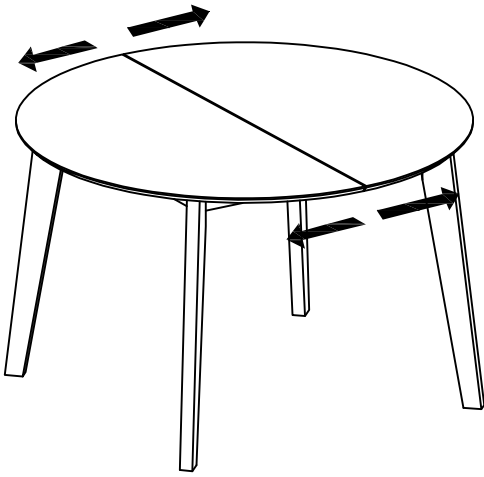


2

E x 4  25 x 15 mm
--



3



4

