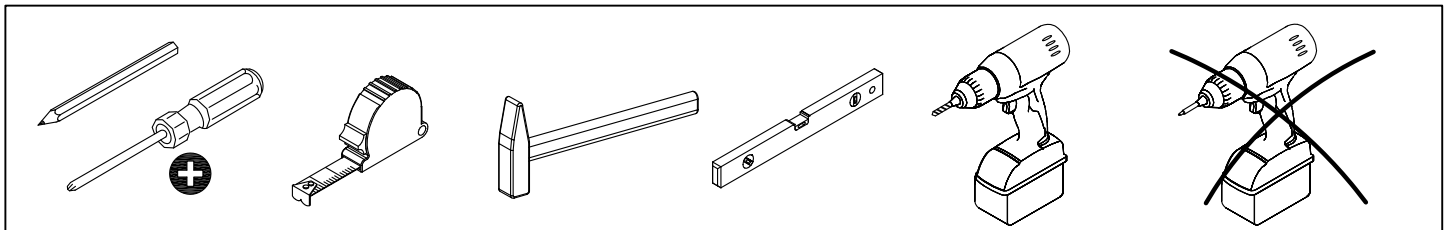
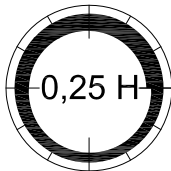
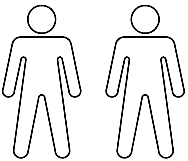
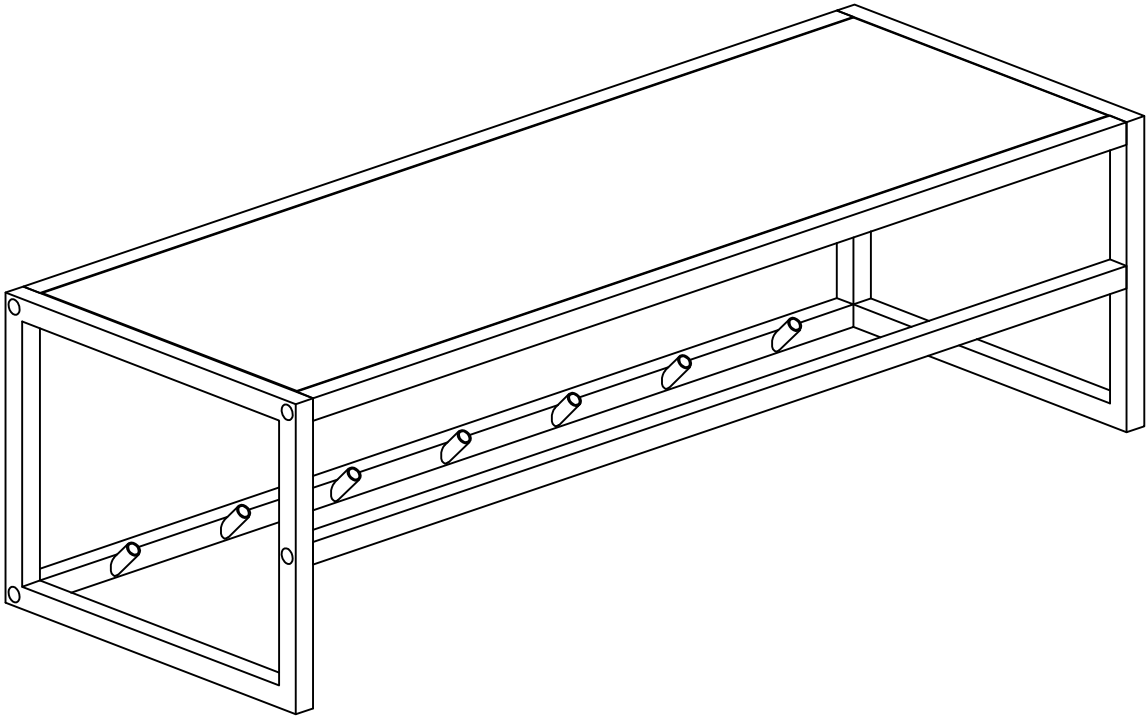
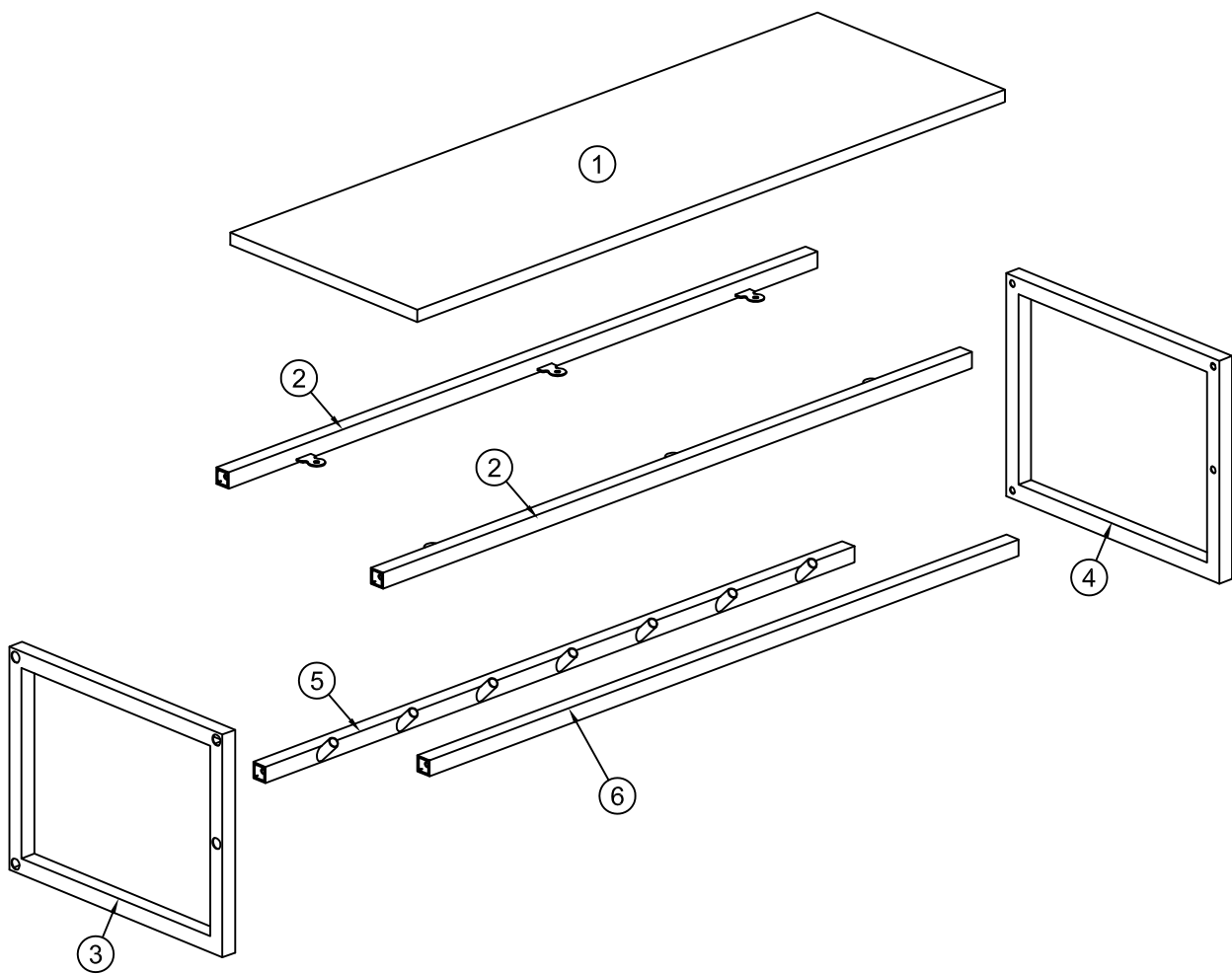


SEAFORD





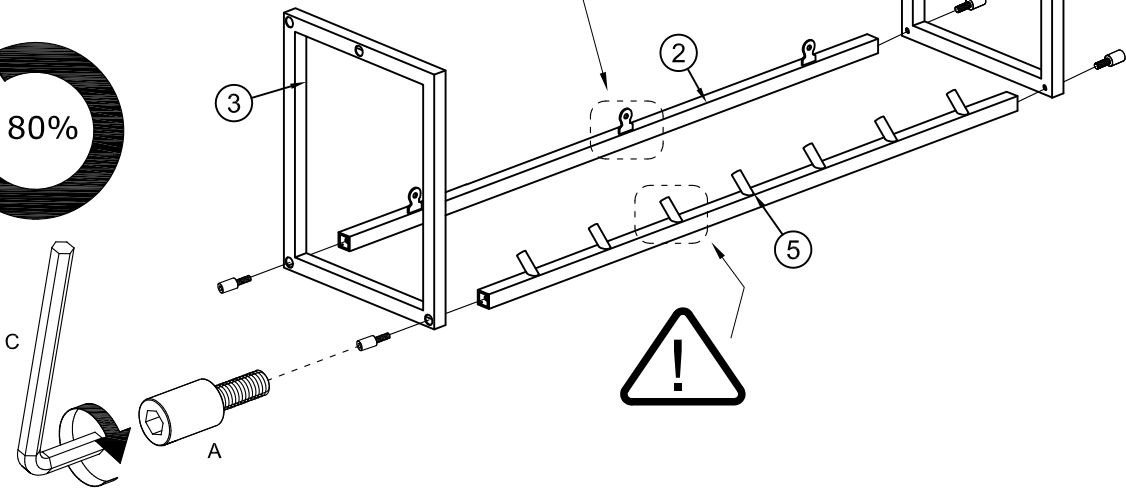
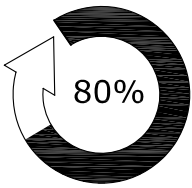
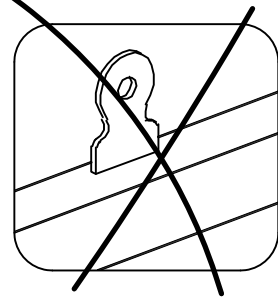
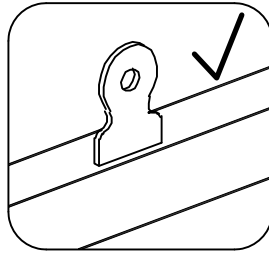
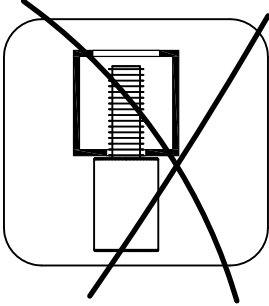
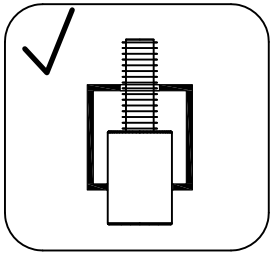
			✓
①	1	737x246x12	
②	2	738x41x16	
③	1	280x220x16	
④	1	280x220x16	
⑤	1	738x40x30	
⑥	1	738x16x16	





A x 8	B x 6	C x 1
M6x16 mm	Ø4x12 mm	4 mm

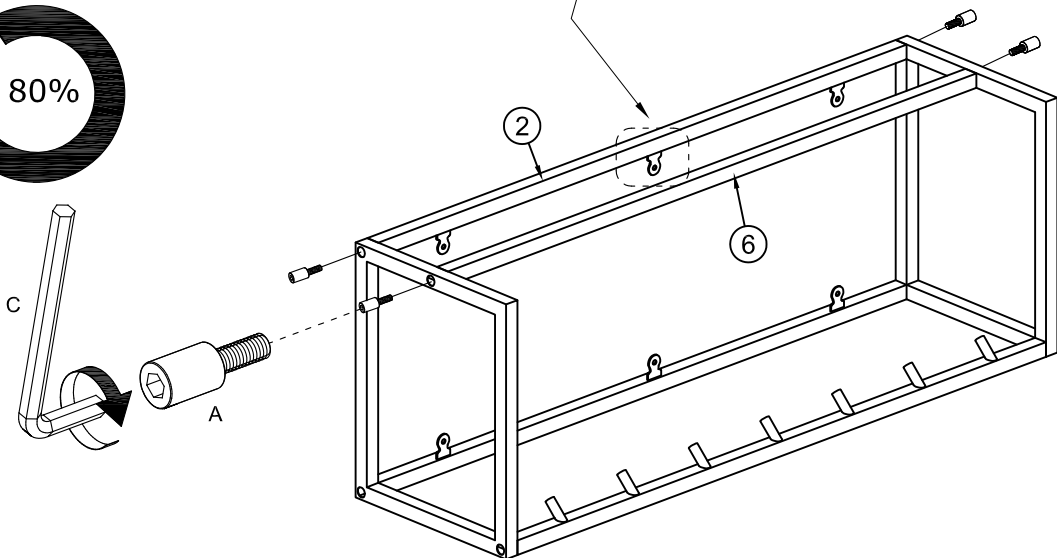
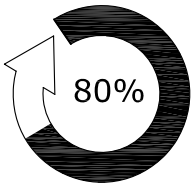
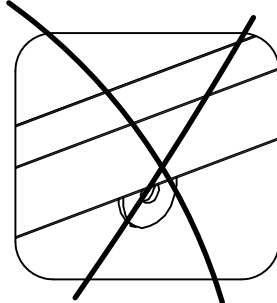
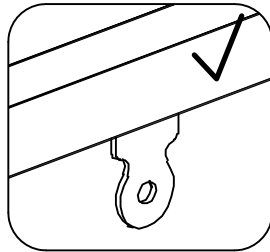
1

A x 4  M6x16 mm	C x 1  4 mm
--	--

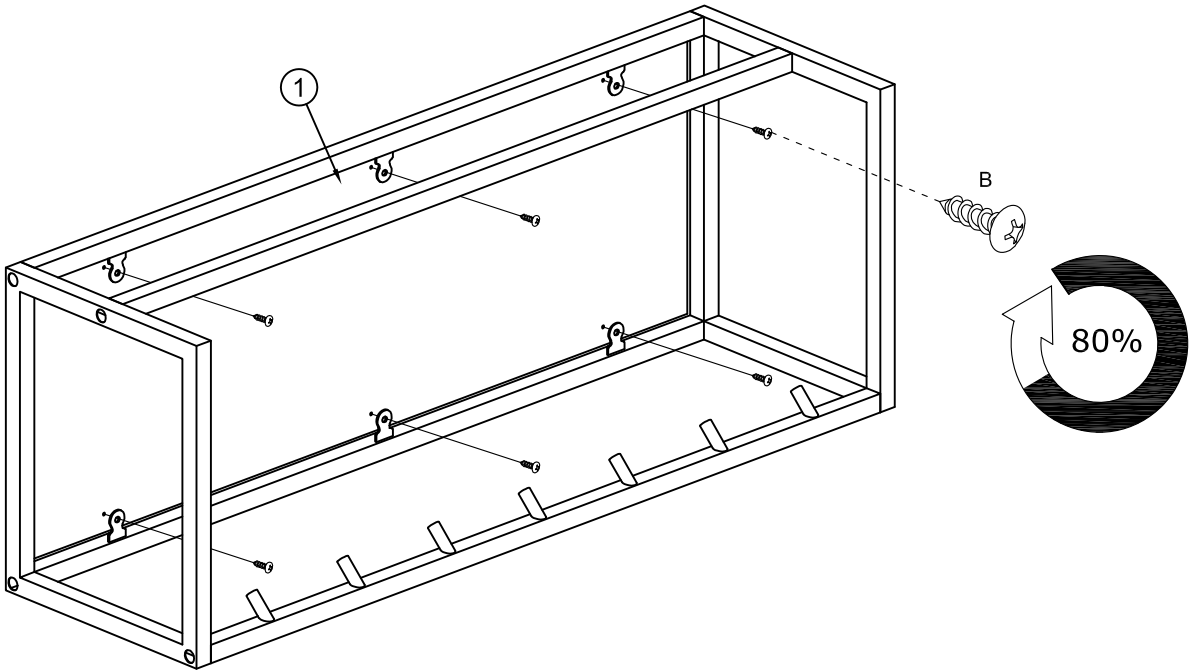
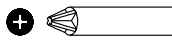
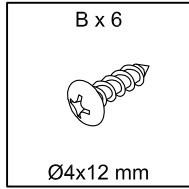


2

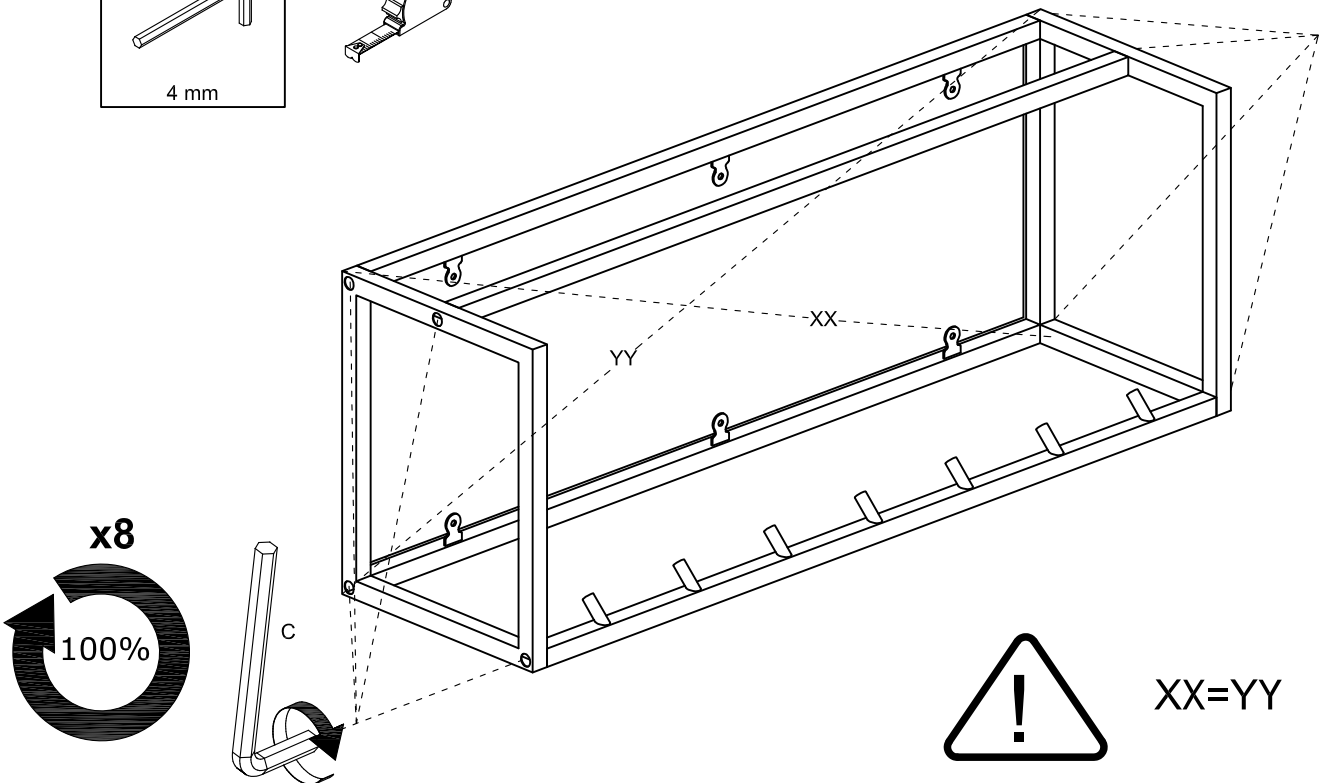
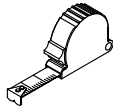
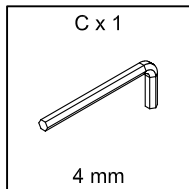
A x 4  M6x16 mm	C x 1  4 mm
--	--



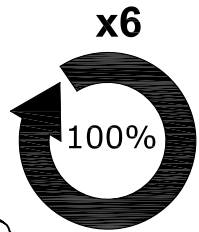
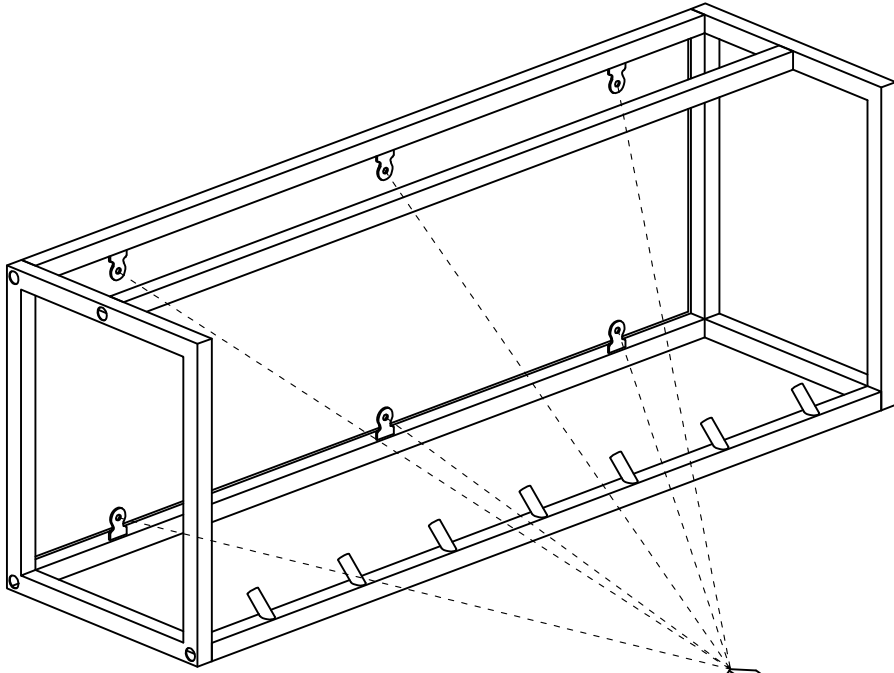
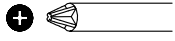
3



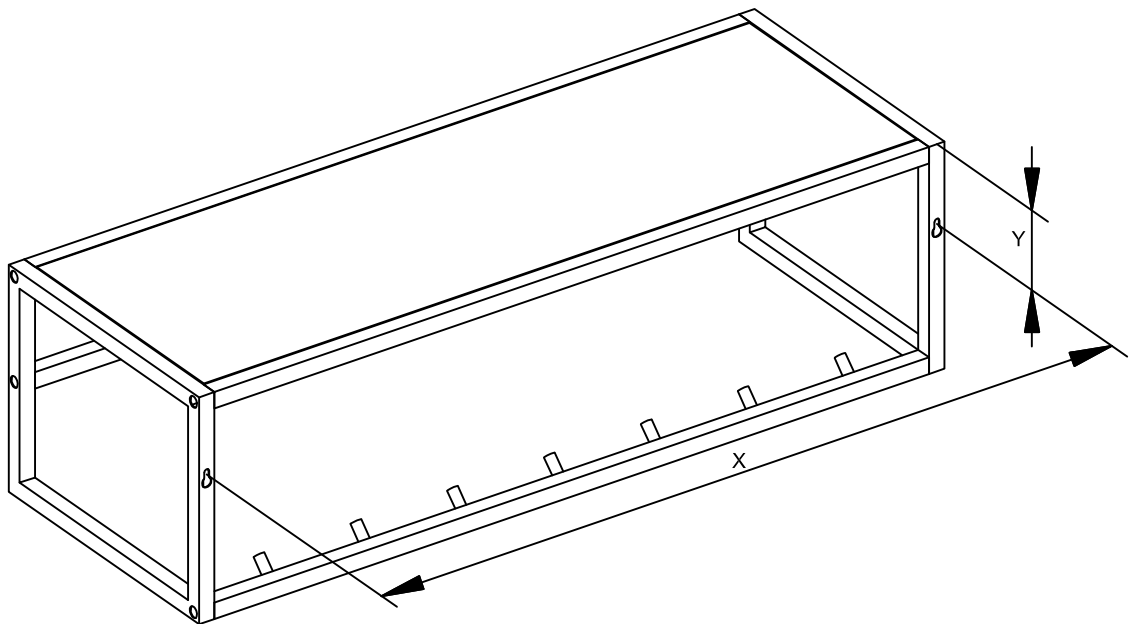
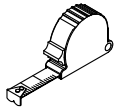
4



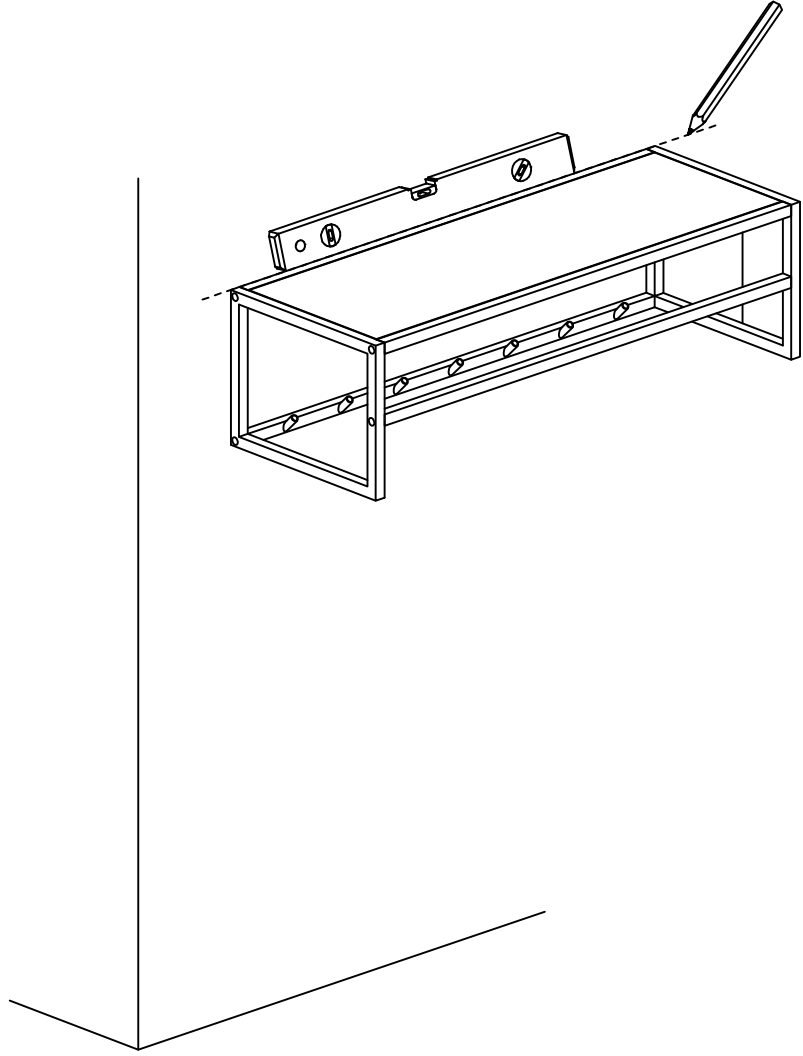
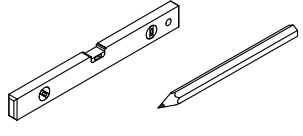
5



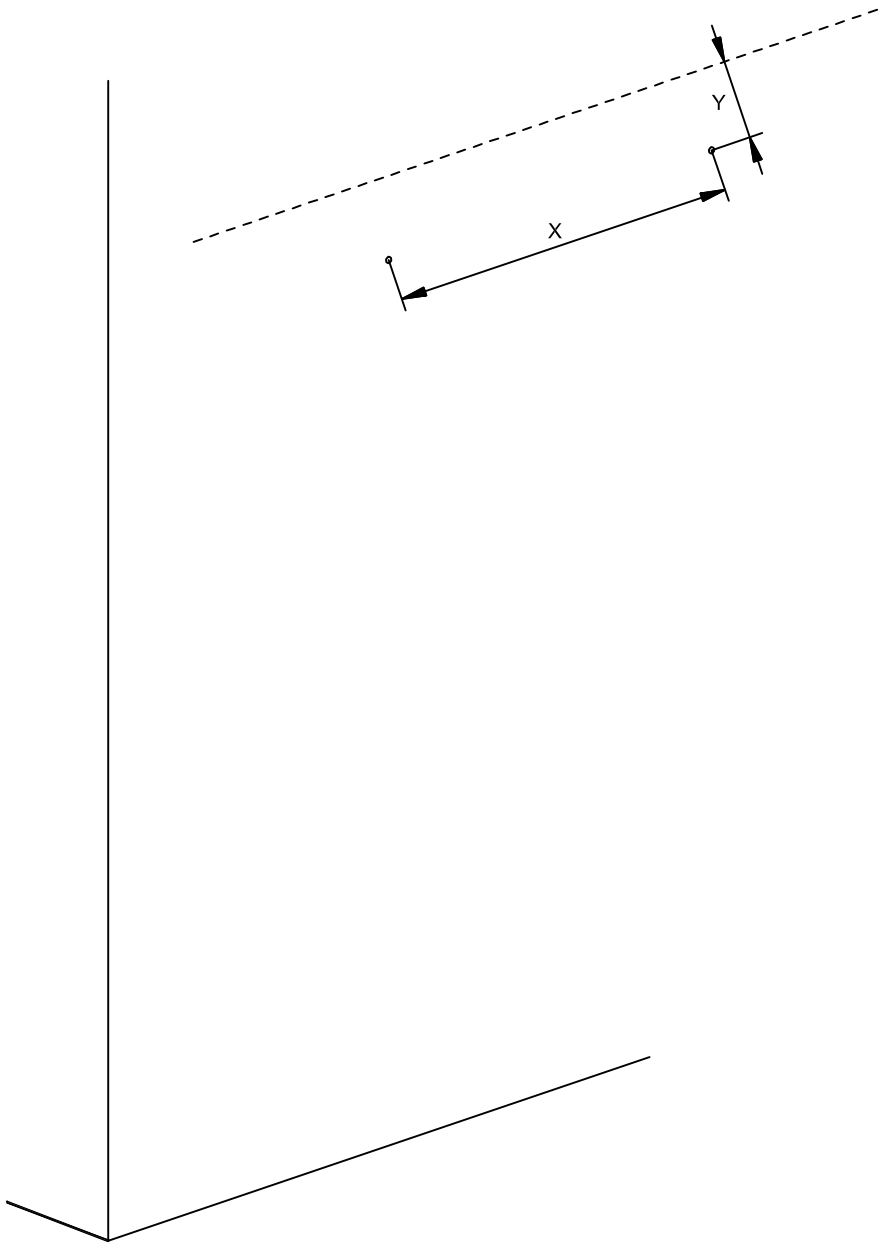
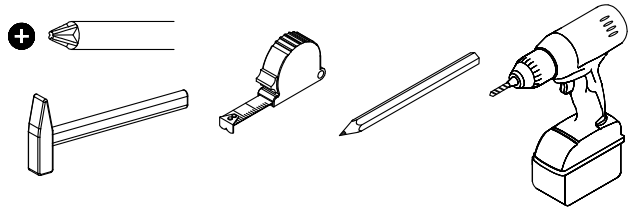
6

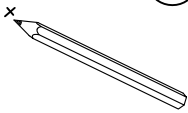
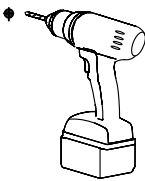
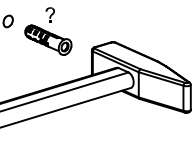
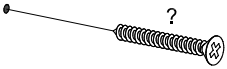


7



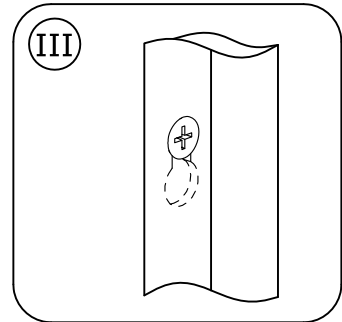
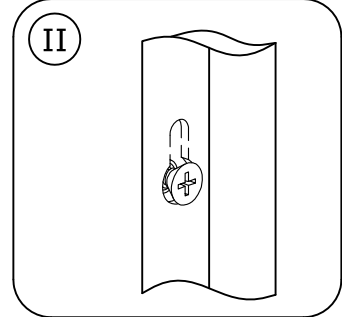
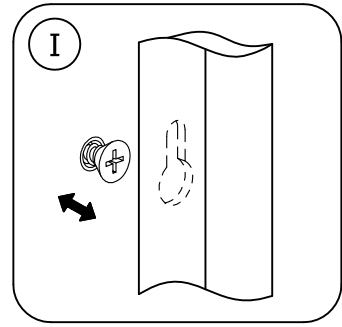
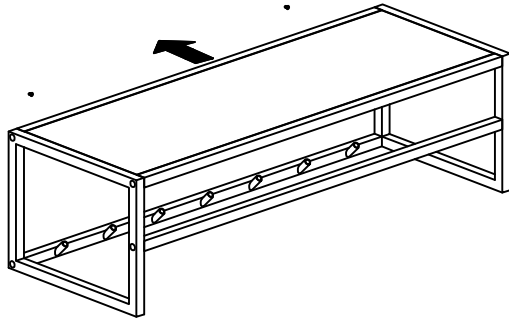
8



 <p>I</p>
 <p>II</p>
 <p>III</p>
 <p>IV</p>



9



10

