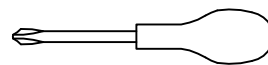
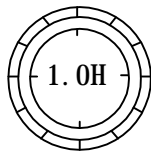
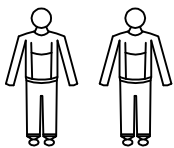
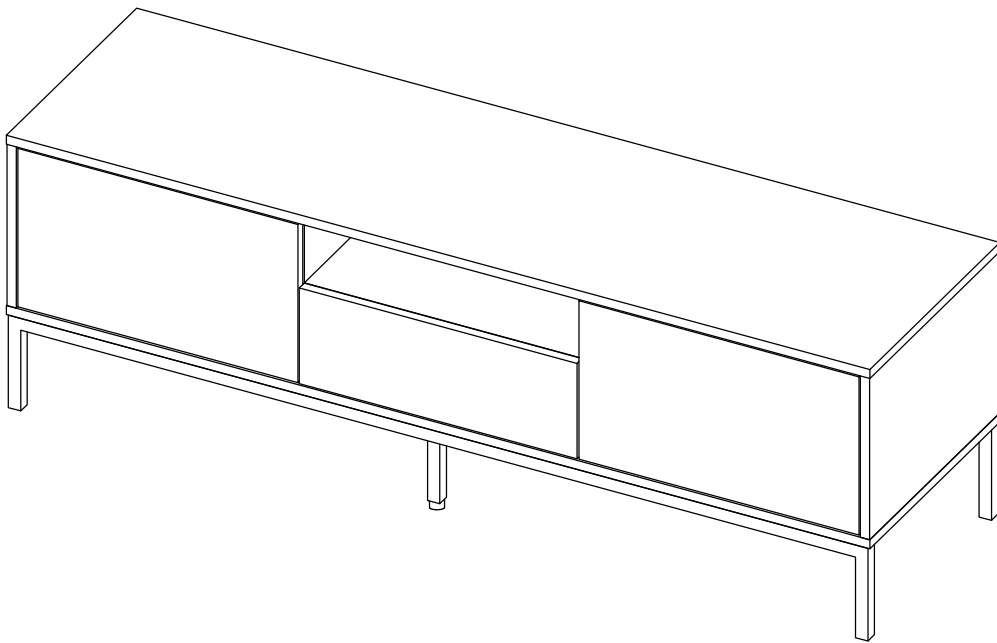
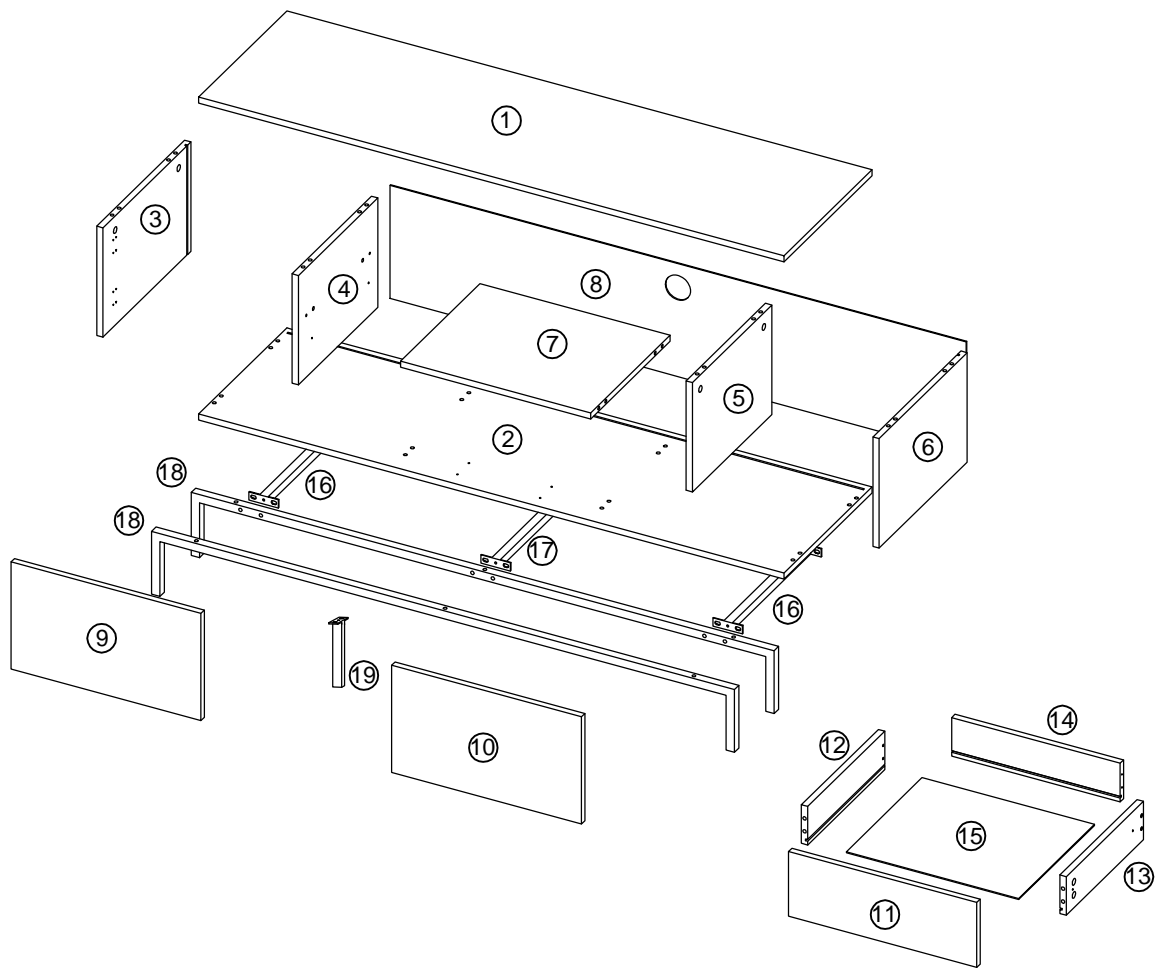








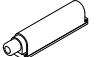







# Seaford

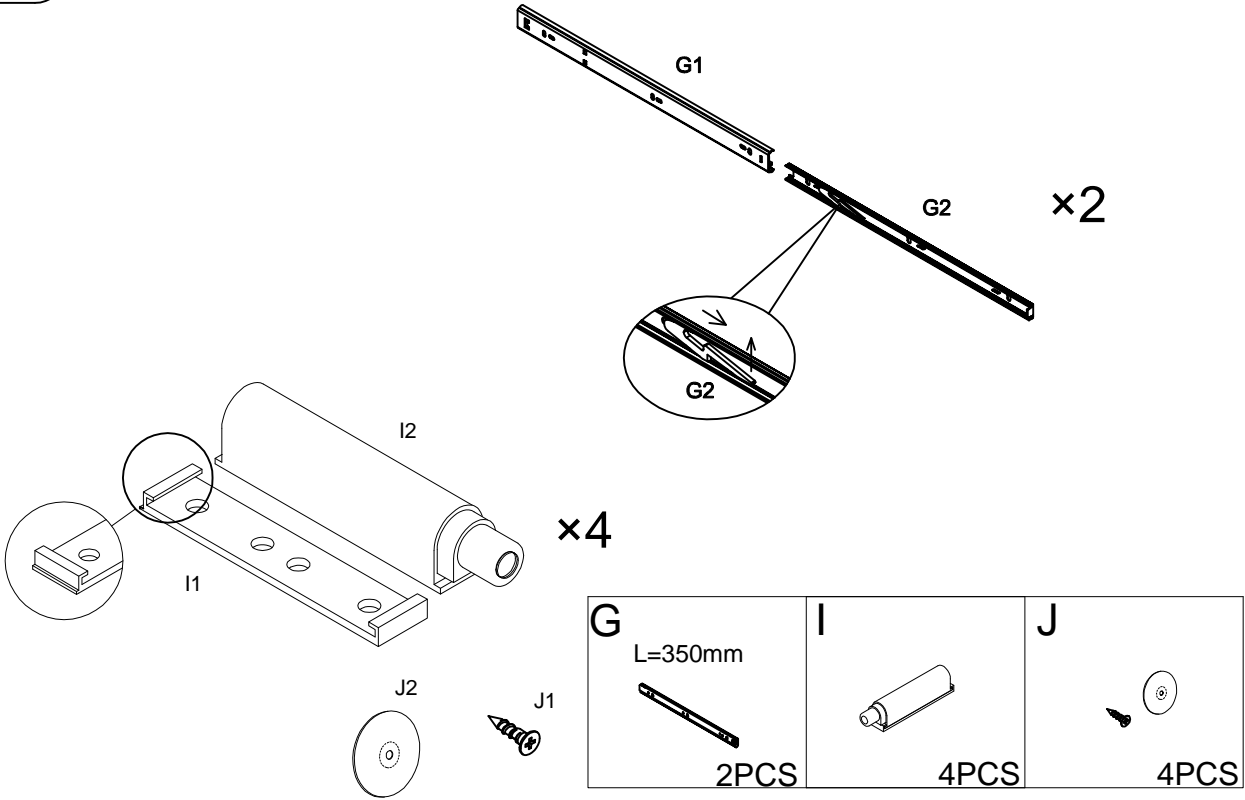
---



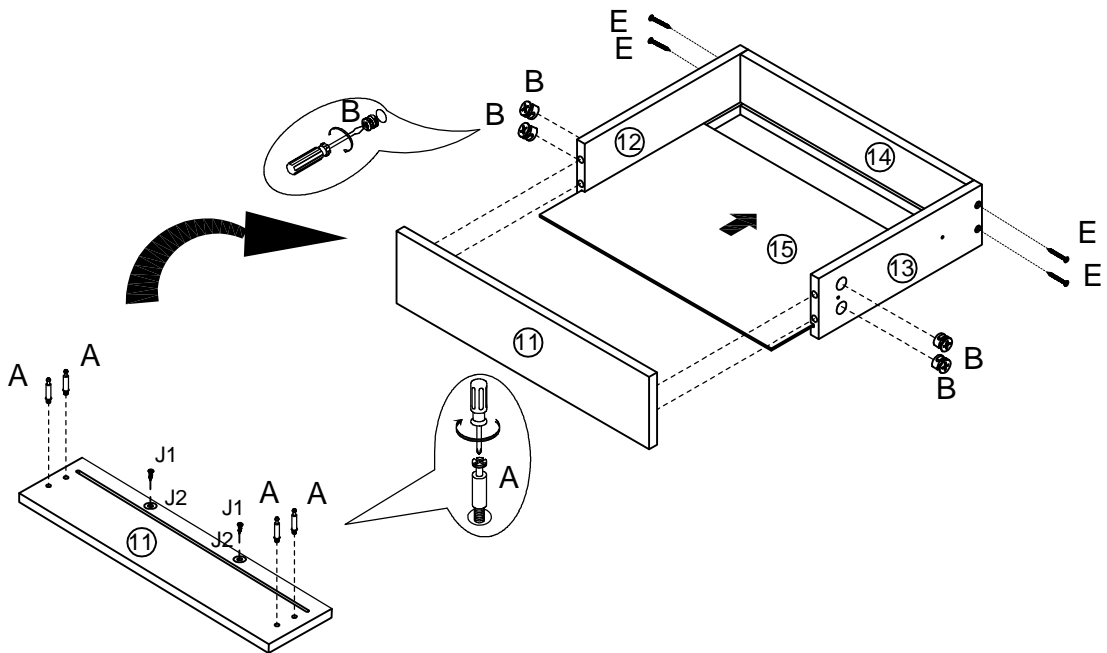


<b>A</b> 6.3×45mm  16PCS	<b>B</b> Ø15×12mm  16PCS	<b>C</b> Ø8×30mm  20PCS	<b>D</b> 7×38mm  8PCS	<b>E</b> 4×35mm  4PCS	<b>F</b> 3.5×14mm  40PCS
<b>G</b> L=350mm  2PCS	<b>H</b>  4PCS	<b>I</b>  4PCS	<b>J</b>  4PCS	<b>K</b> 4mm  1PC	<b>L</b> M6×30mm  6PCS
<b>M</b> M6×15mm  14PCS	<b>N</b>  1PC				

1

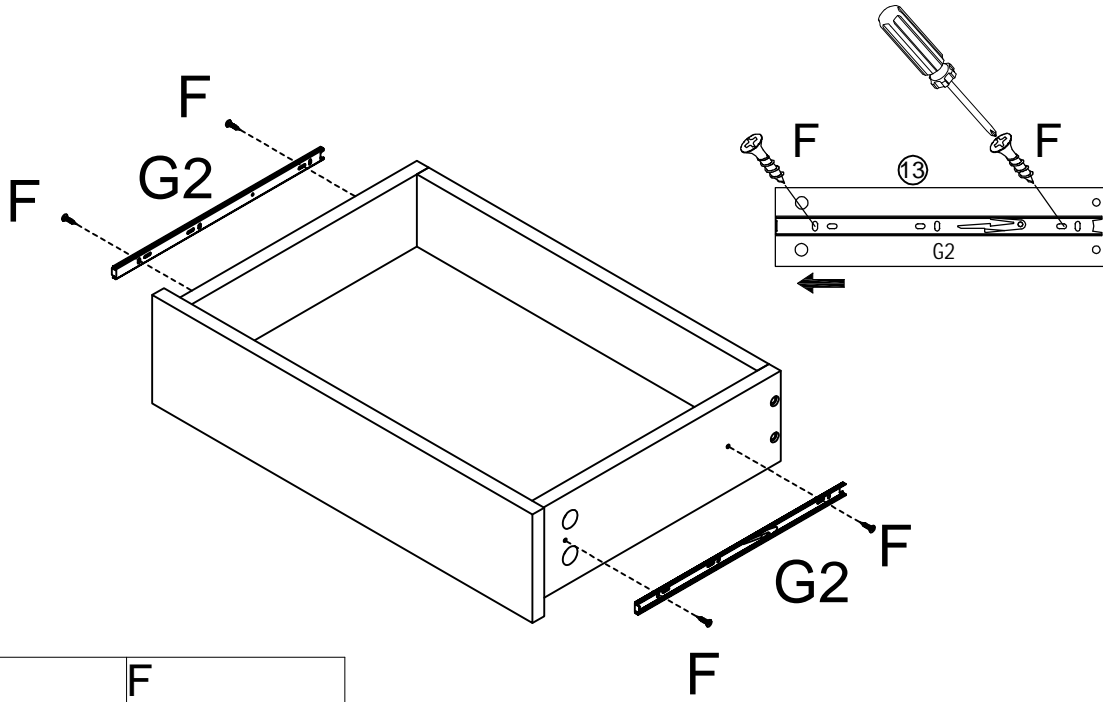




2



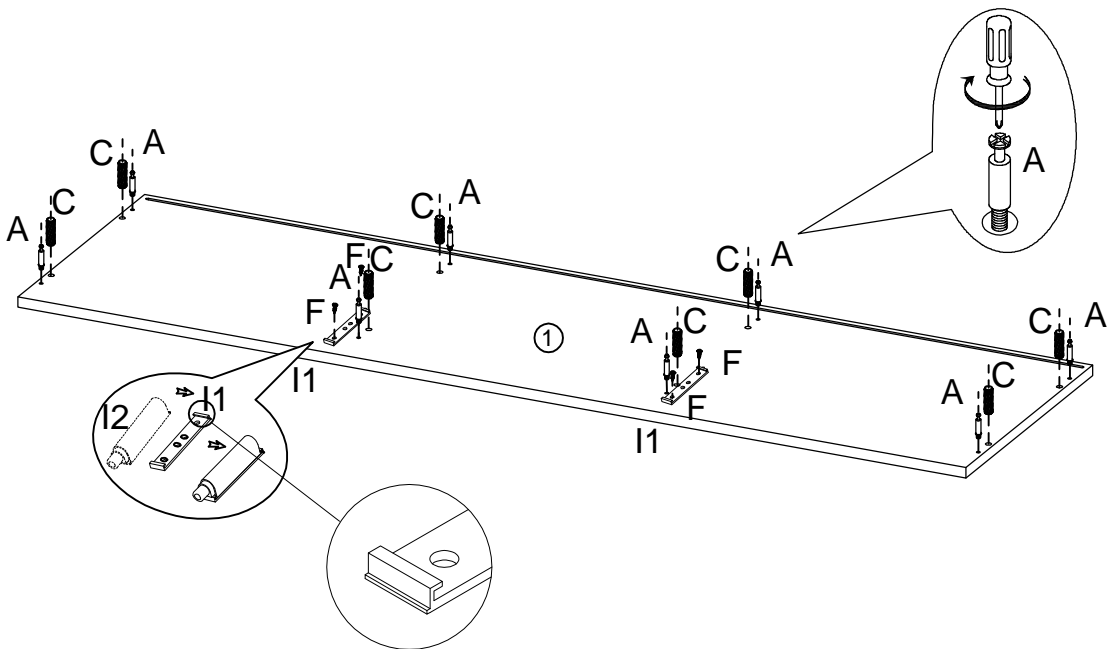
<b>A</b> 6.3×45mm 4PCS	<b>B</b> Ø15×12mm 4PCS	<b>E</b> M4×35mm 4PCS	<b>J1</b> 2PCS	<b>J2</b> 2PCS
------------------------------	------------------------------	-----------------------------	-------------------	-------------------


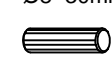

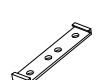
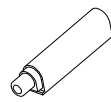
3



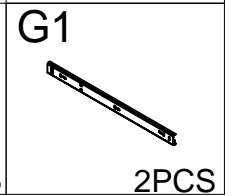
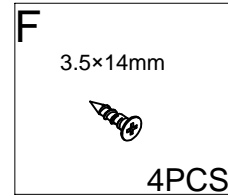
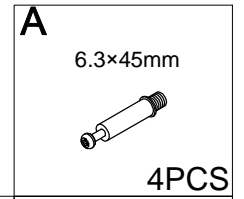
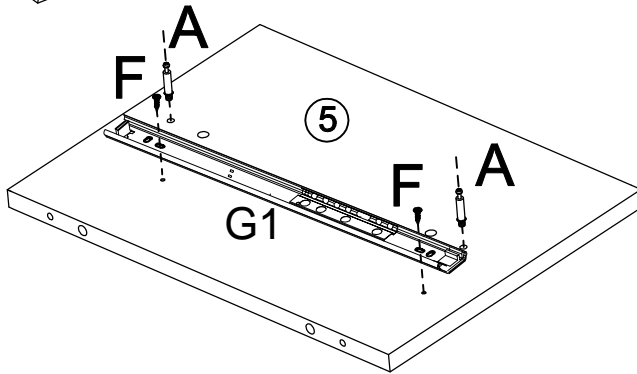
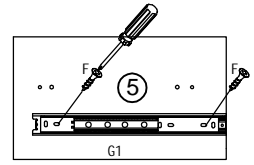
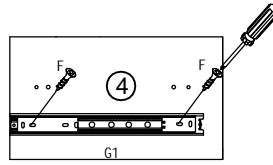
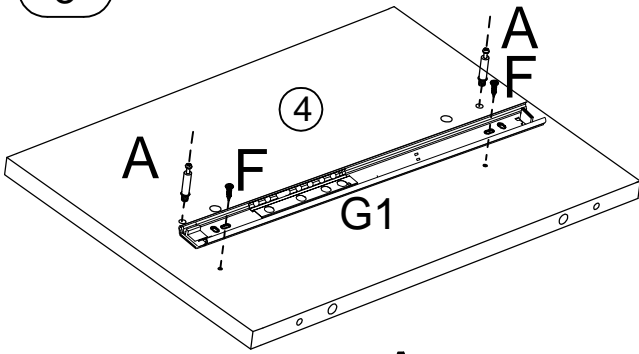
<p><b>G2</b> L=350mm</p>  <p>2PCS</p>	<p><b>F</b> 3.5×14mm</p>  <p>4PCS</p>
--	--

4

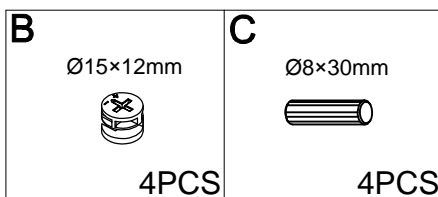
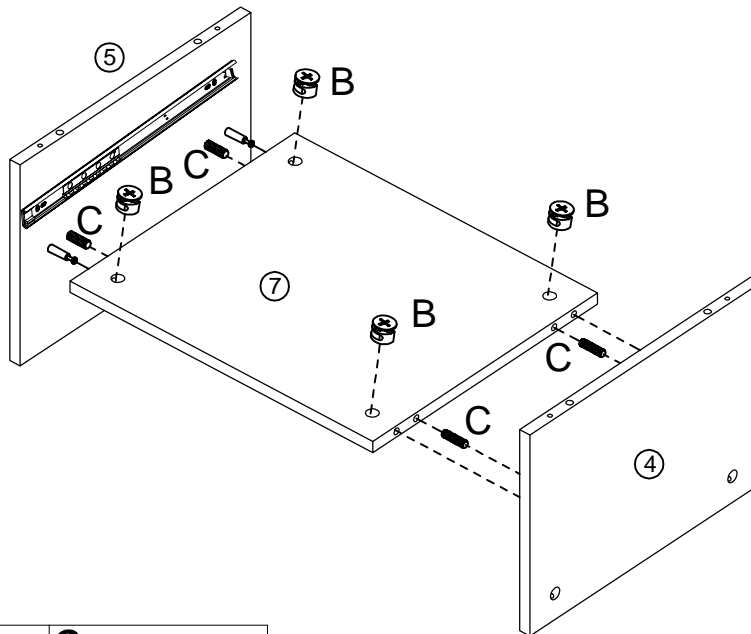


<p><b>A</b> 6.3×45mm</p>  <p>8PCS</p>	<p><b>C</b> Ø8×30mm</p>  <p>8PCS</p>	<p><b>F</b> 3.5×14mm</p>  <p>4PCS</p>	<p><b>I1</b></p>  <p>2PCS</p>	<p><b>I2</b></p>  <p>2PCS</p>
--	---	--	--	--

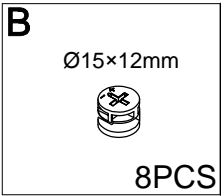
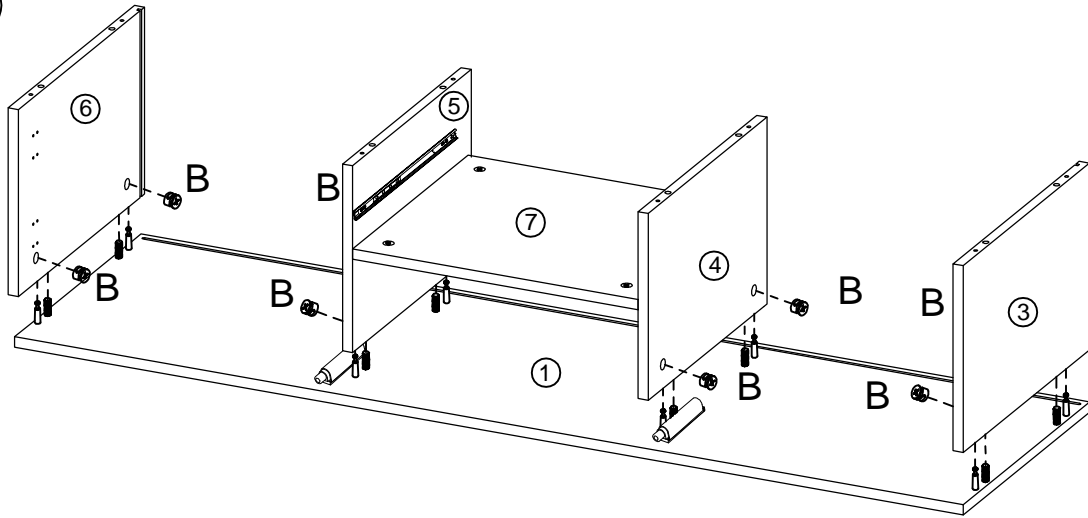
5



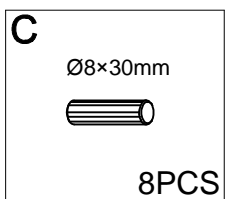
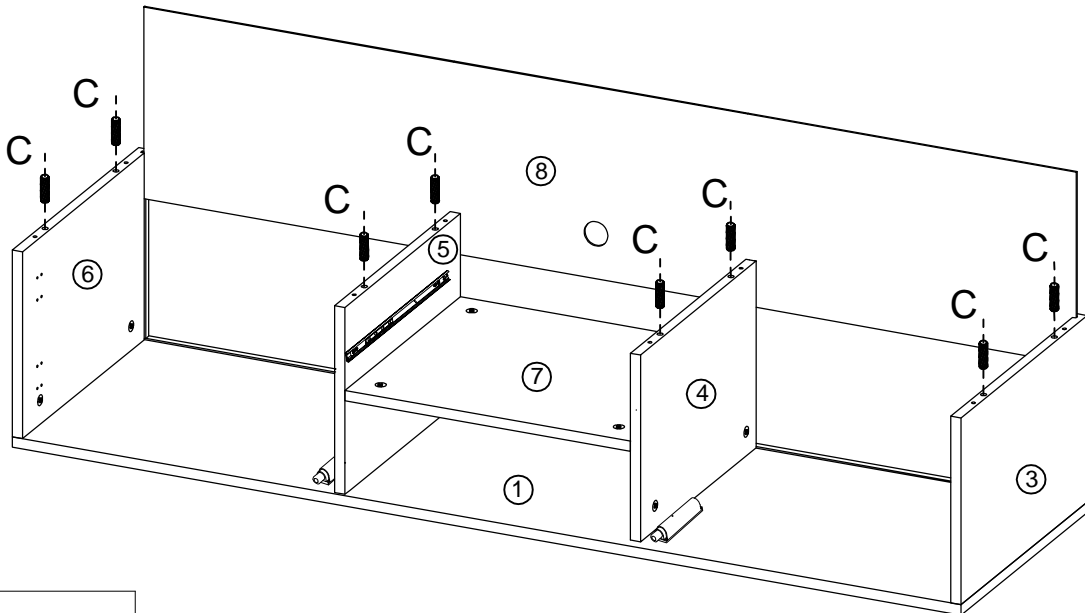
6



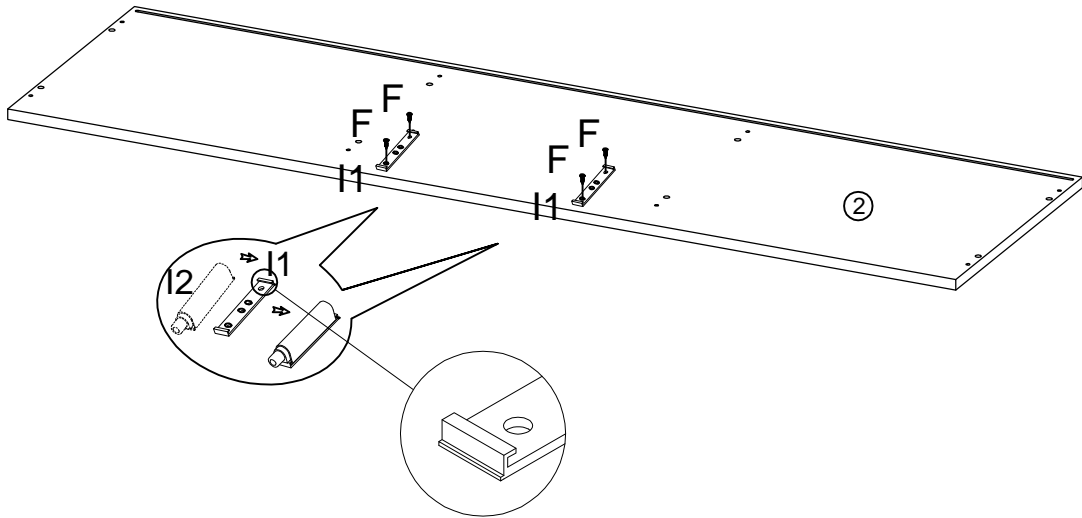
7


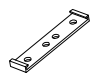
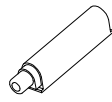


8

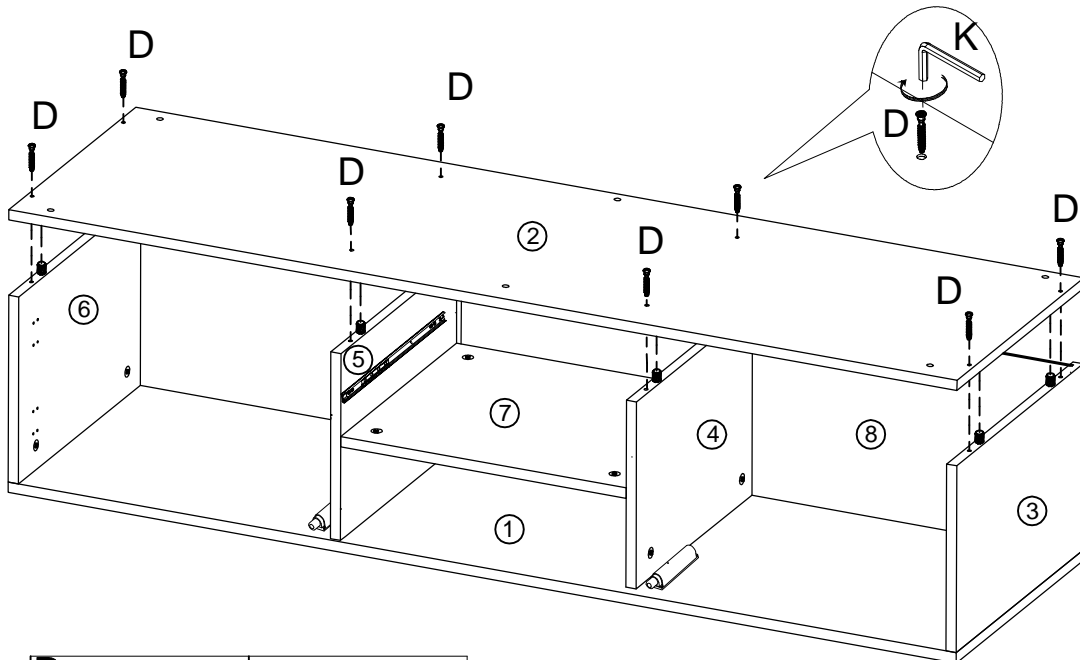




9



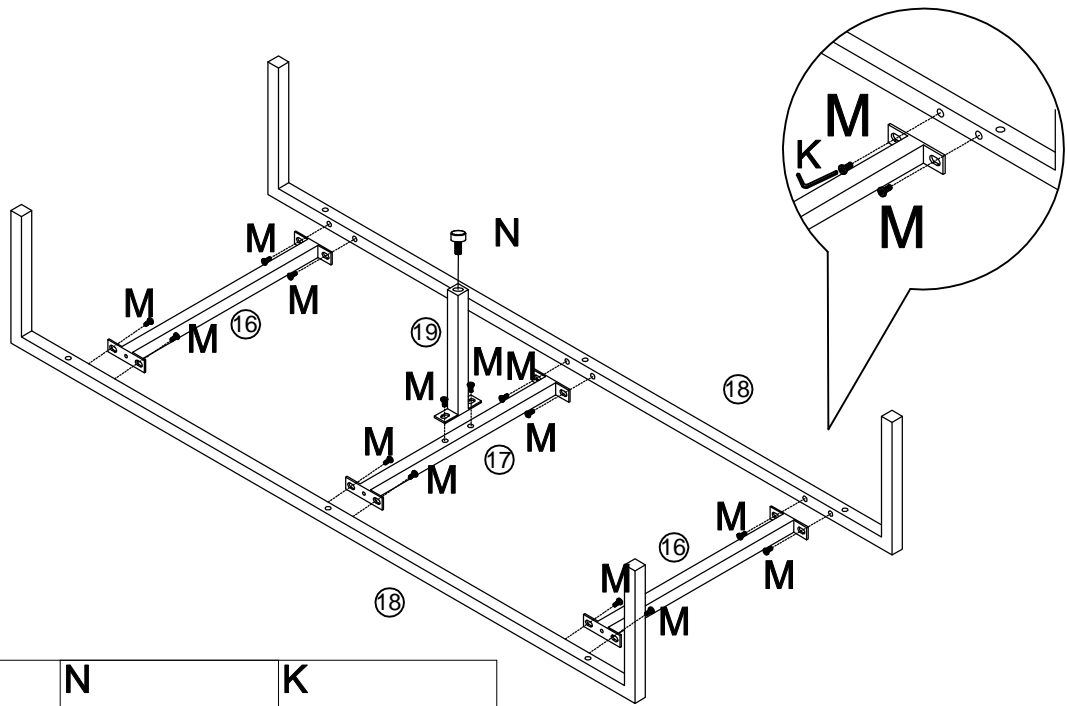
<b>F</b> M3.5×14mm  4PCS	<b>I1</b>  2PCS	<b>I2</b>  2PCS
--	--	--




10



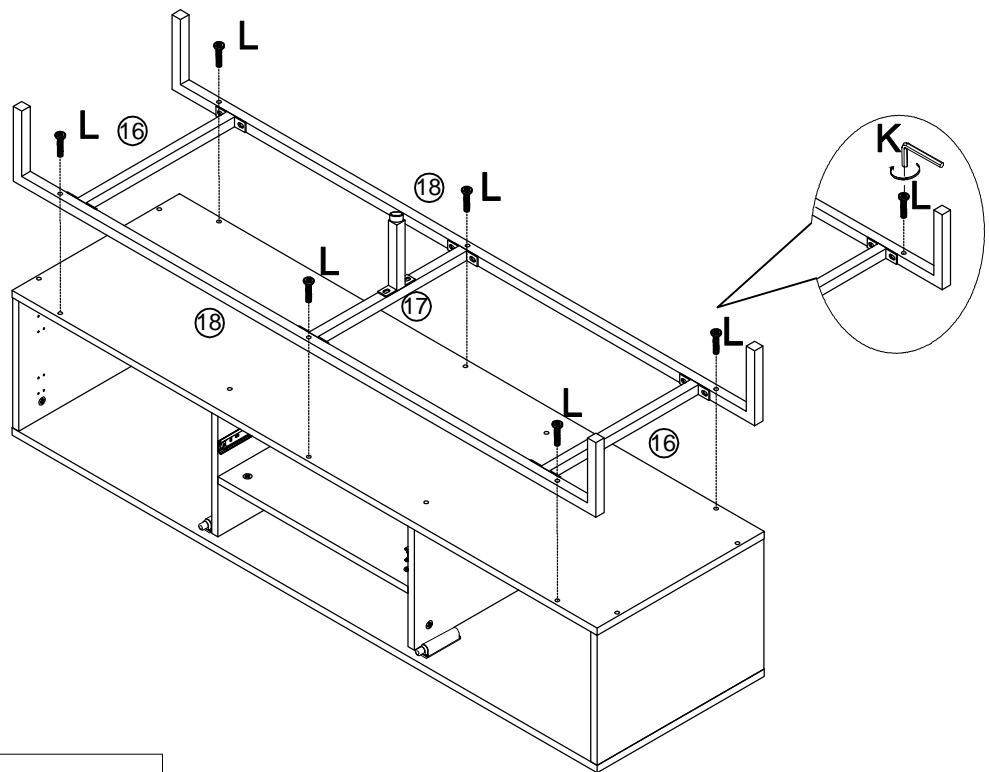
<b>D</b> 7×38mm  8PCS	<b>K</b> 4mm  1PC
---	---



11



<p><b>M</b> M6×15mm</p>  <p>14PCS</p>	<p><b>N</b></p>  <p>1PC</p>	<p><b>K</b> 4mm</p>  <p>1PC</p>
--	--	--

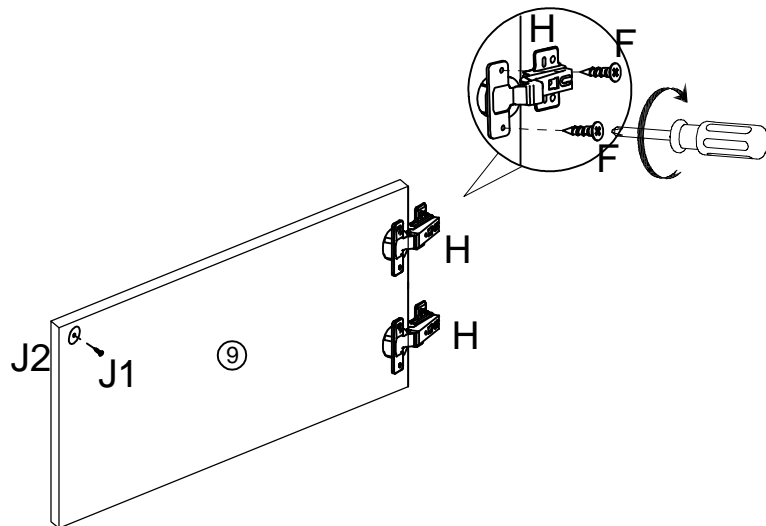
12







<p><b>L</b> M6×30mm</p>  <p>6PCS</p>	<p><b>K</b> 4mm</p>  <p>1PC</p>
---	--

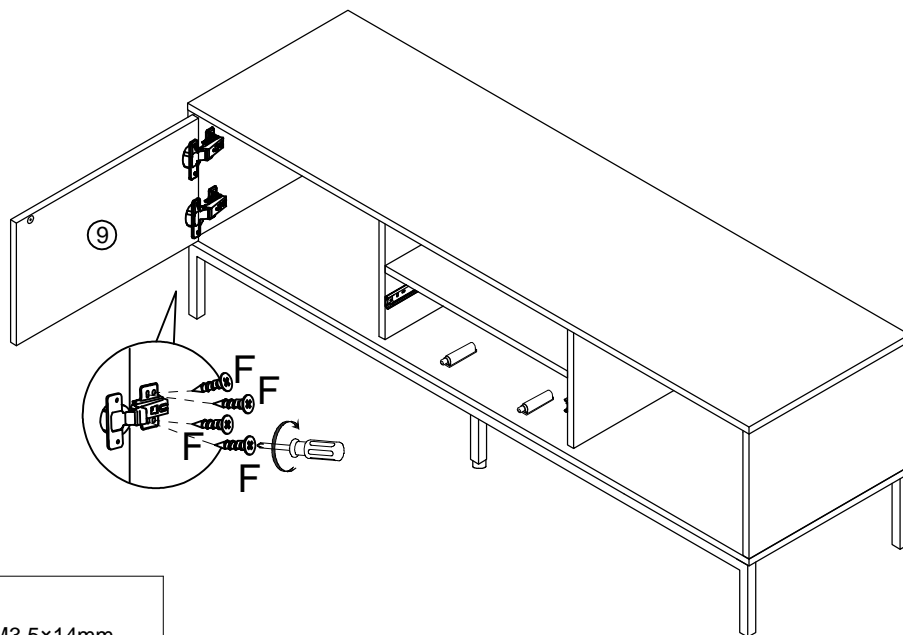



13



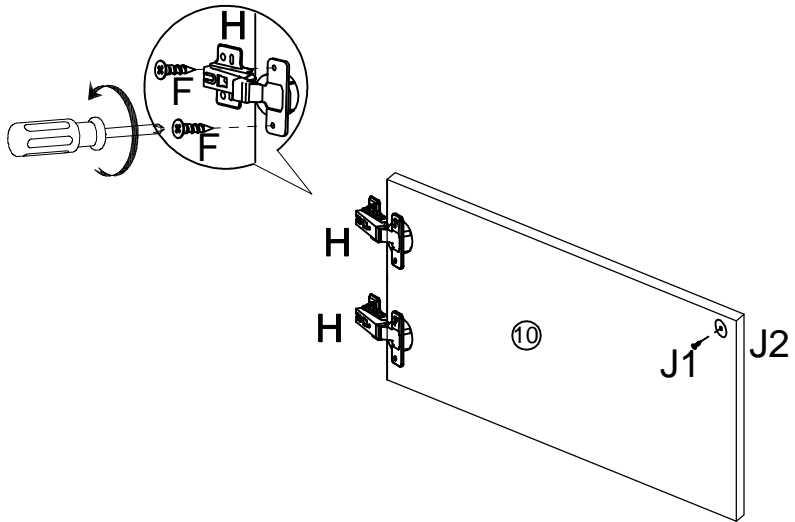
<b>F</b> M3.5×14mm  4PCS	<b>H</b>  2PCS	<b>J1</b>  1PC	<b>J2</b>  1PC
--	---	---	---





14



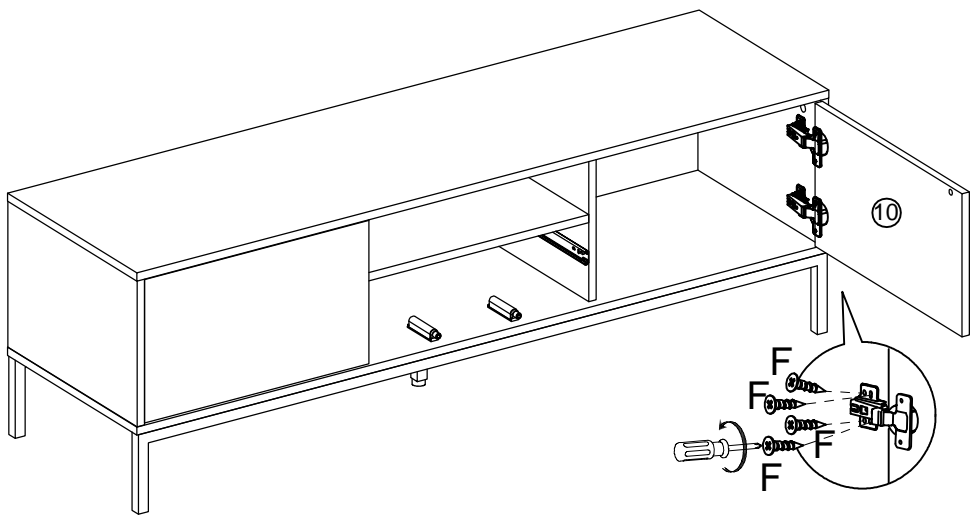
<b>F</b> M3.5×14mm  8PCS
--


15



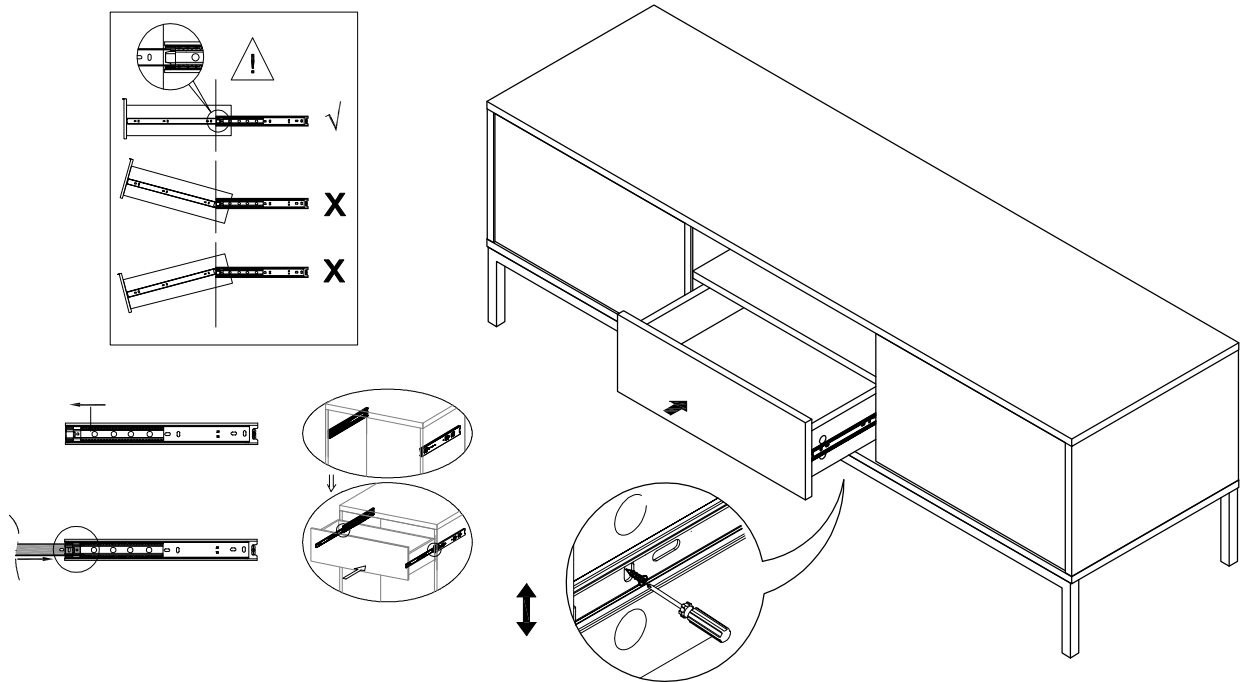
<b>F</b> M3.5×14mm  4PCS	<b>H</b>  2PCS	<b>J1</b>  1PC	<b>J2</b>  1PC
--	---	---	---

16

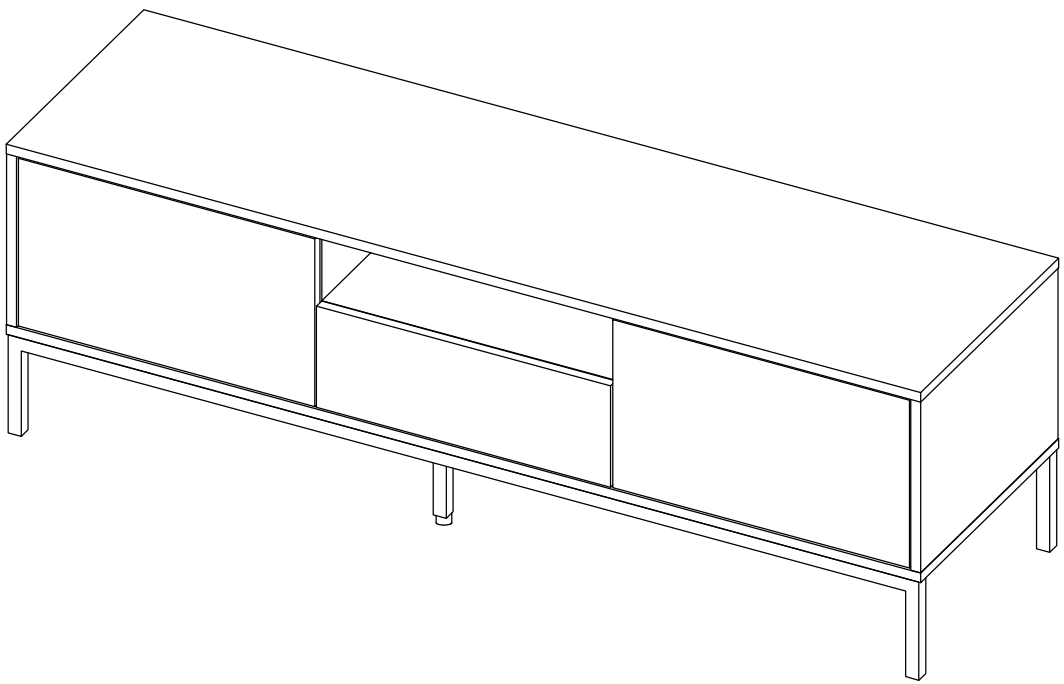


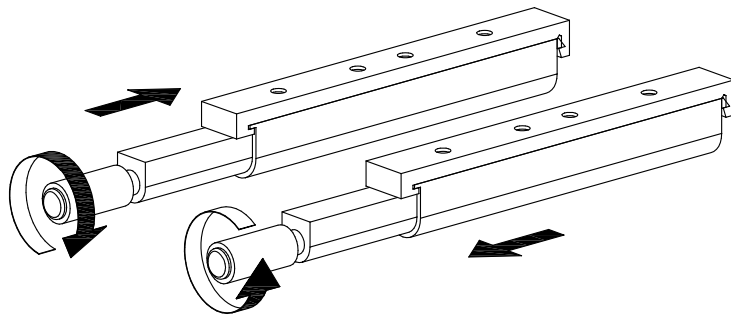
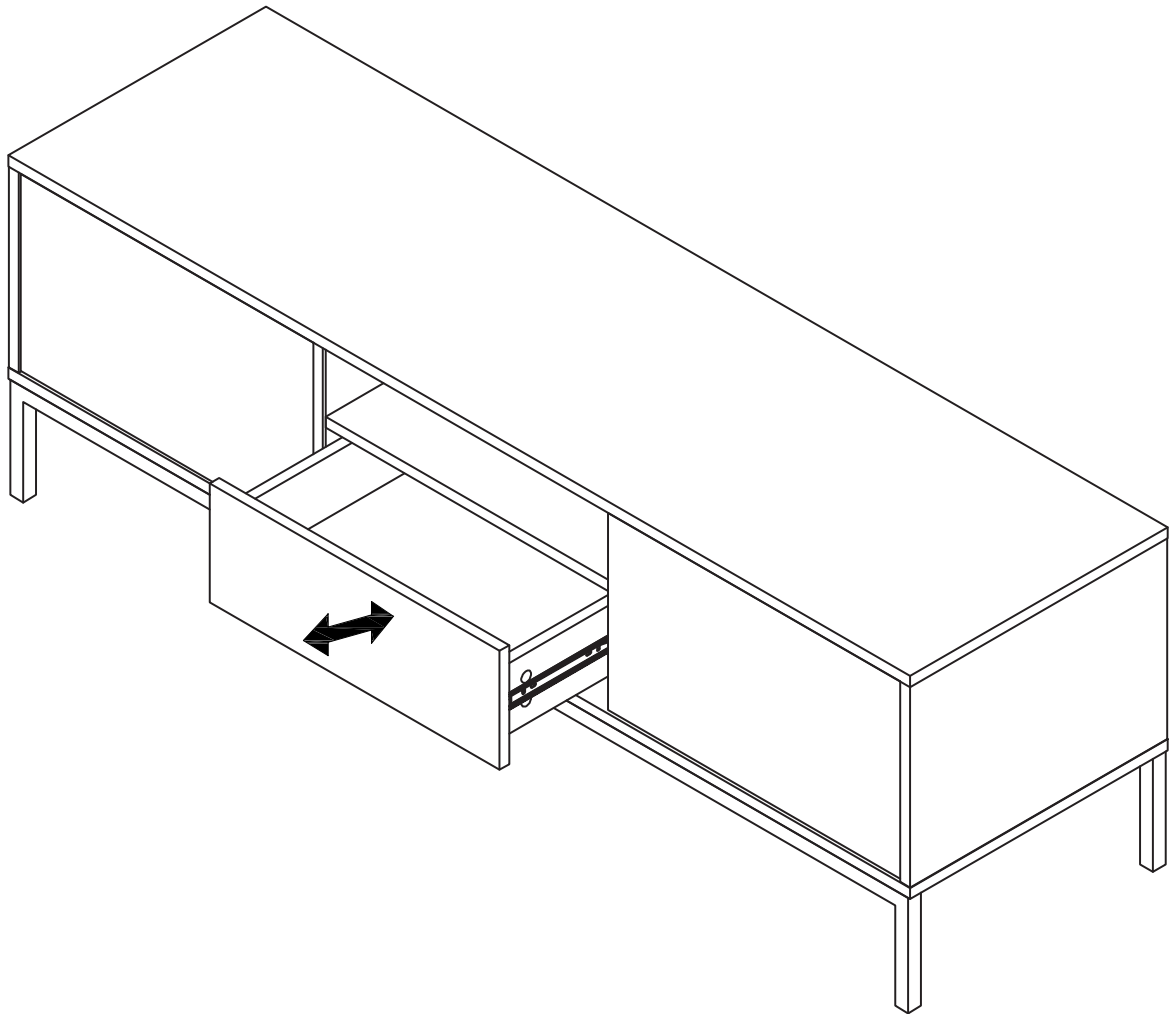
<b>F</b> M3.5×14mm  8PCS
--

17



18

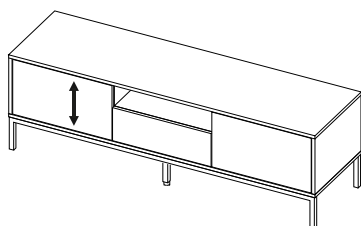
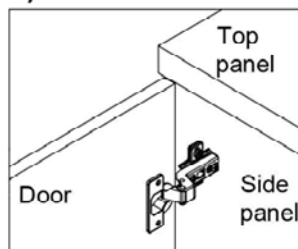




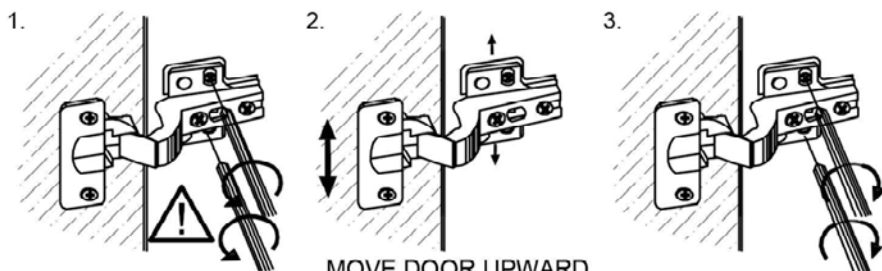


**TO ADJUST YOUR DOORS TO MAKE THE GAPS MORE EVEN (OPTIONAL).**

**STEP 14.1  
Open the door.**



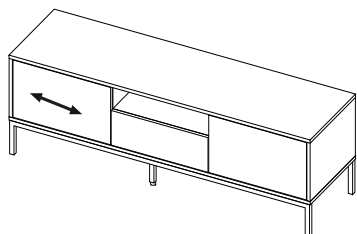
**STEP 14.2**  
Adjust the door panels upward or downward



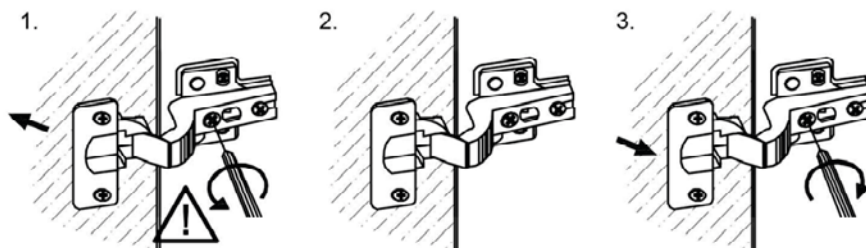
1. Unscrew 2 screws in round holes  
Loosen 2 screws in oval holes a bit.

MOVE DOOR UPWARD OR DOWNWARD

3. Tighten 2 screws in oval holes.  
Screw in 2 screws in round holes



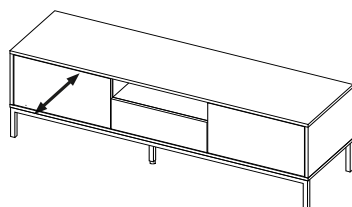
**STEP 14.3**  
Adjust the flush between door panel and side panel



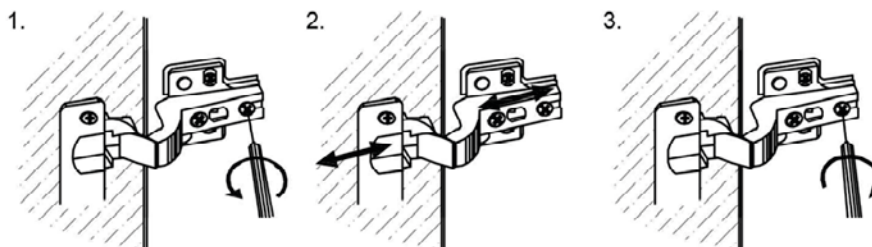
1. MOVE DOOR OUTWARD by turning this screw counter-clockwise

KEEP DOOR IN RIGHT POSITION

3. MOVE DOOR OUTWARD by turning this screw clockwise



**STEP 14.4**  
Adjust the gap between door panel and side panel



1. Loosen this screw a bit.

MOVE DOOR BACK OR FORTH

3. Re-tighten this screw.