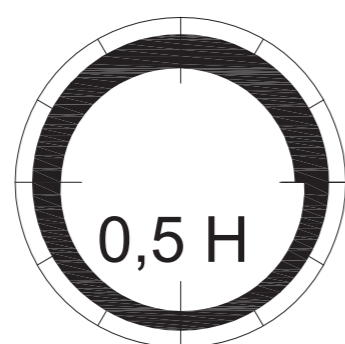
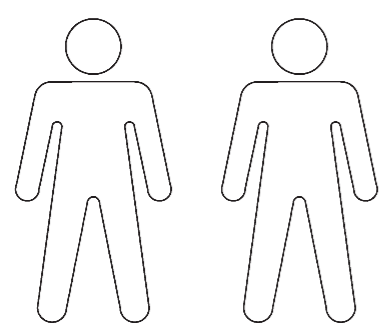
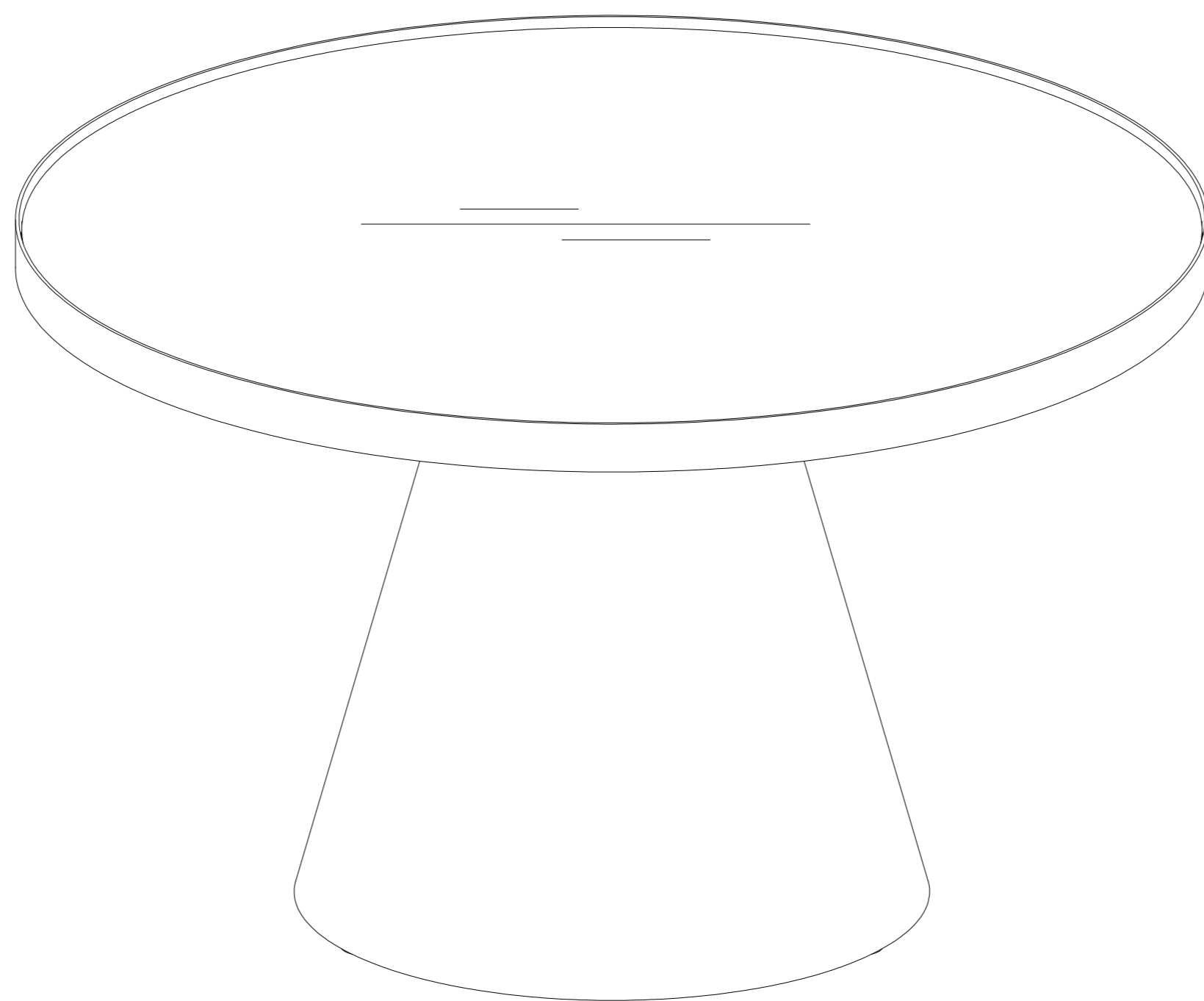
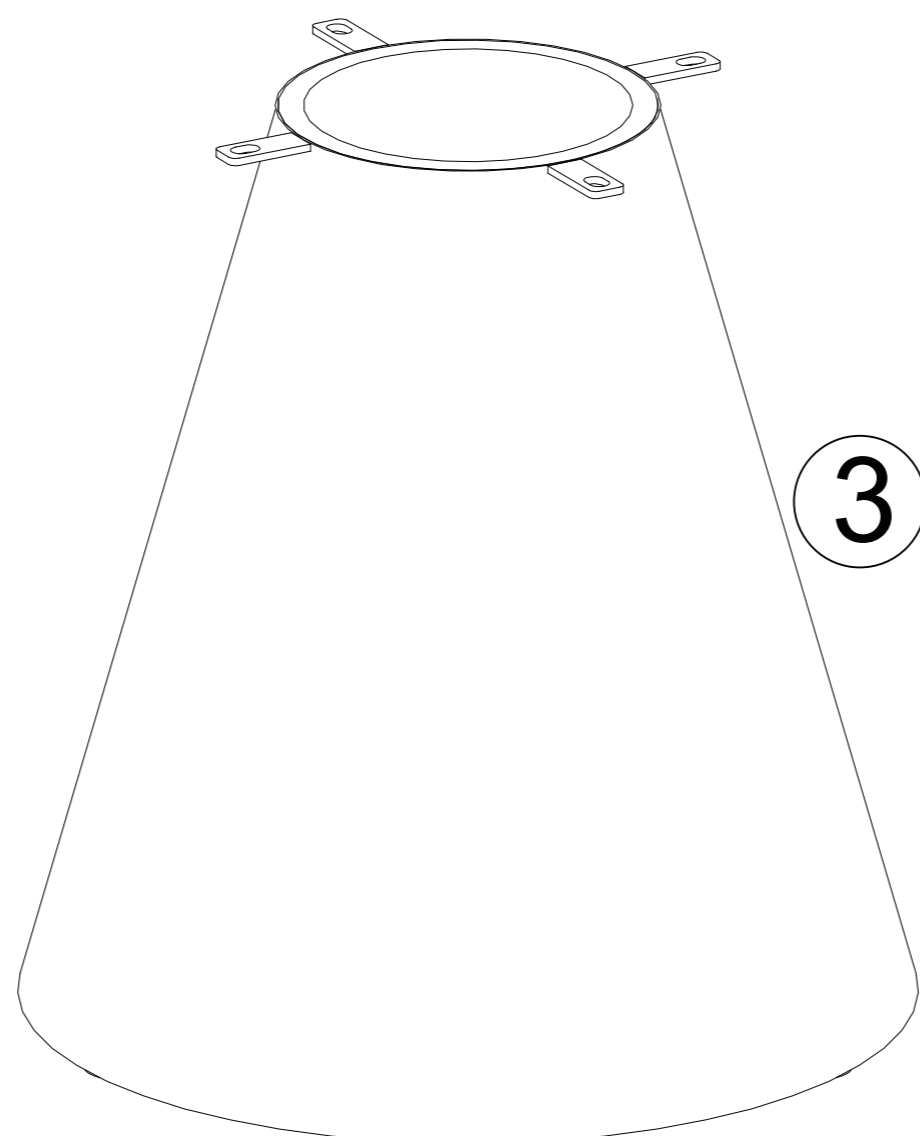
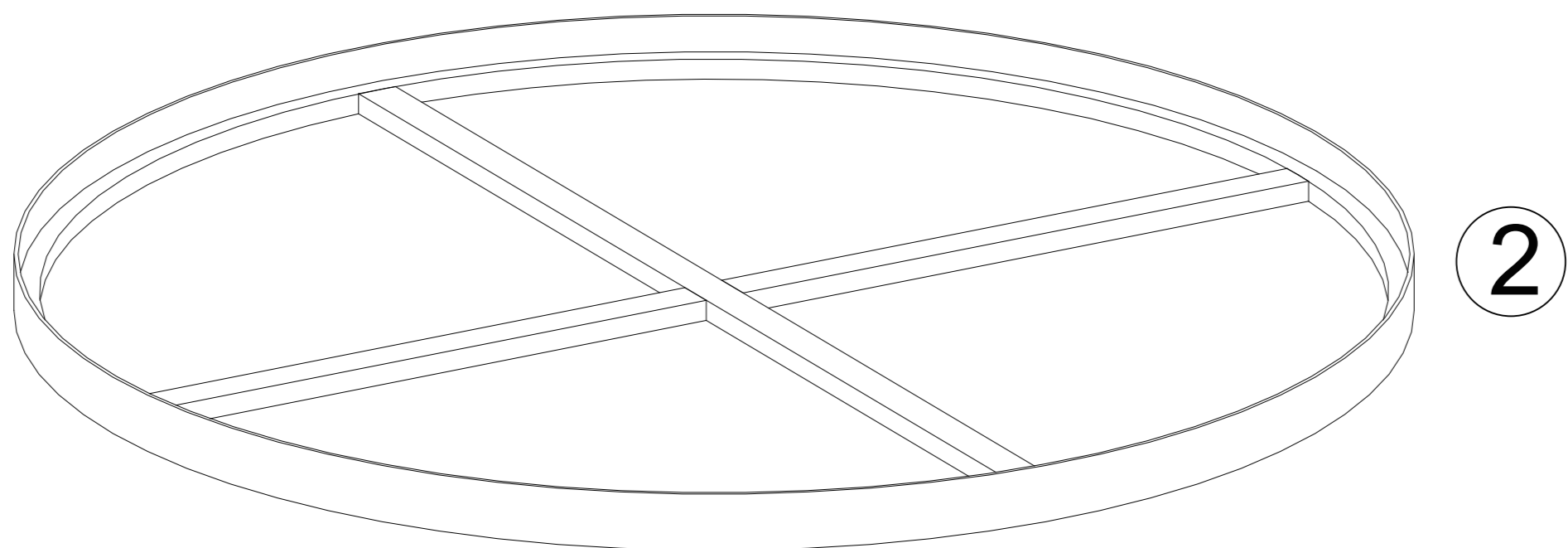
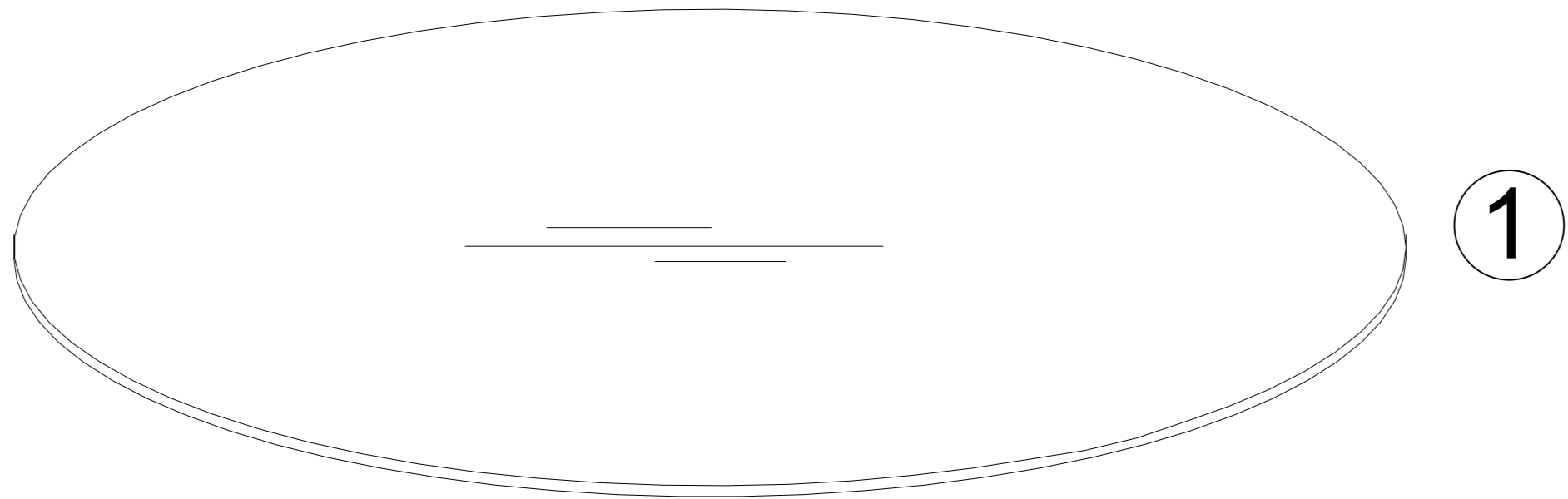
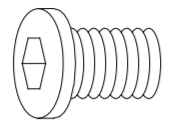
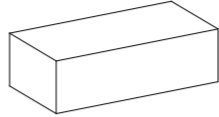
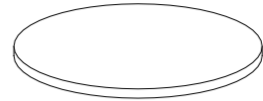
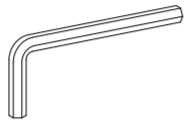



# SOLI -coffee table

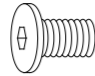




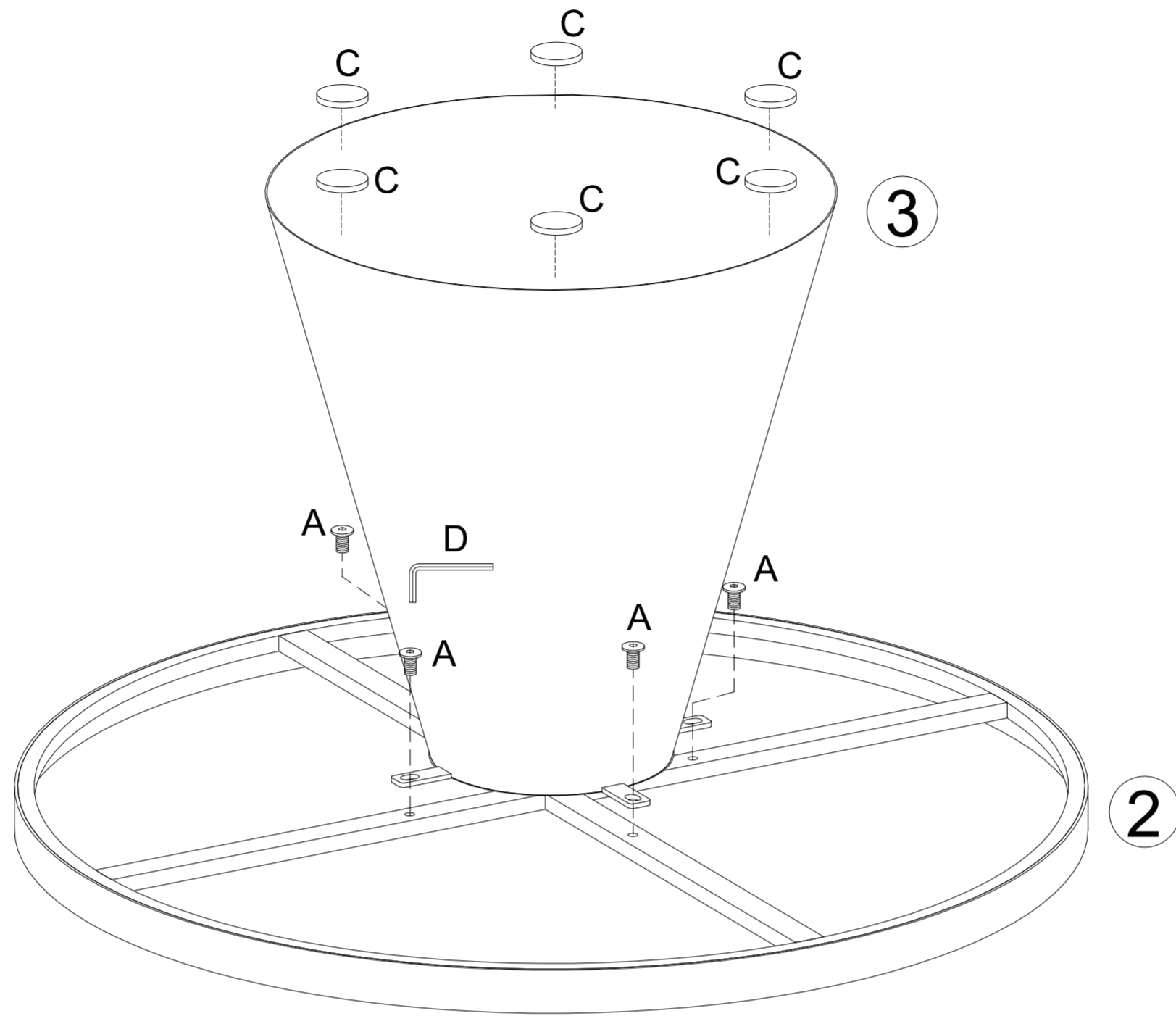
			✓
①	1	$\text{Ø}650 \times 12 /$ $\text{Ø}650 \times 6 /$ $\text{Ø}650 \times 16$	
②	1	$\text{Ø}657 \times 28$	
③	1	$\text{Ø}350 \times 365$	



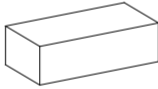
<p>A x 4</p>  <p>M6 x 10</p>	<p>B x 16</p>  <p>10 x 20 x 6</p>	<p>C x 6</p>  <p>Ø50 x 3</p>
<p>D x 1</p>  <p>4MM</p>	<p>E x 8</p>  <p>25 x 8 x 2</p>	

# 1

A x 4  M6 x 10	C x 6  Ø50 x 3	D x 1  4MM
---	---	--

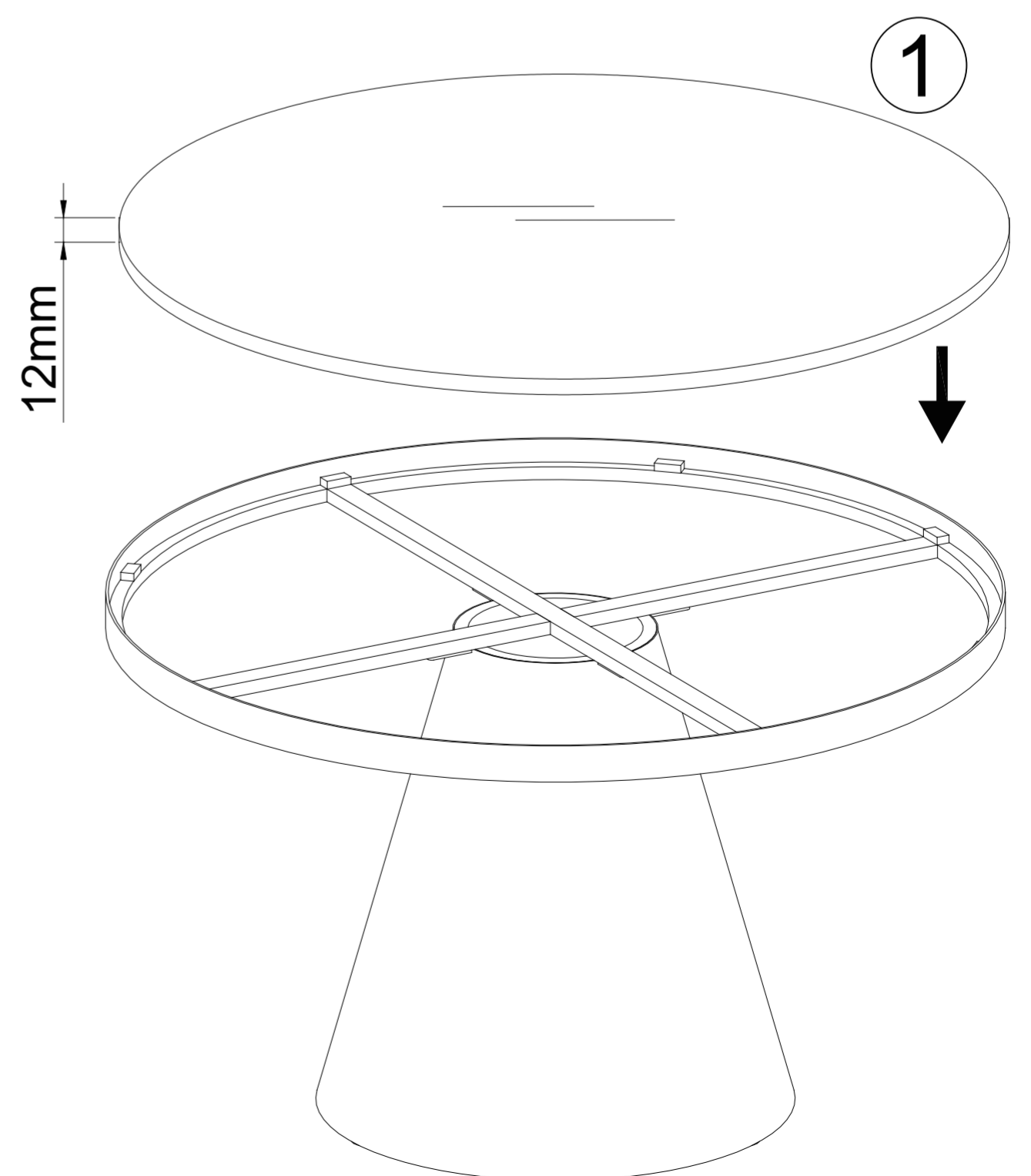
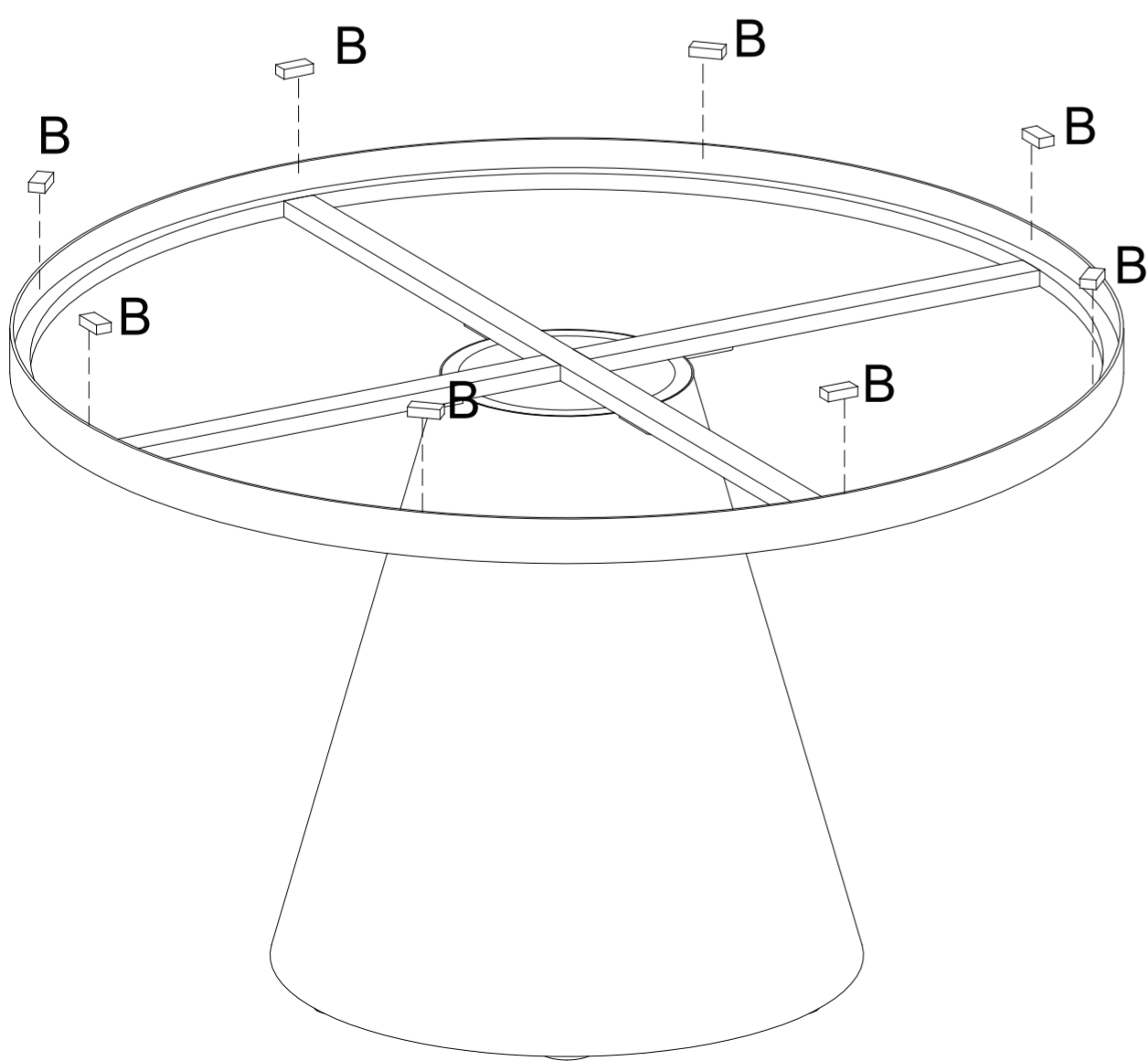


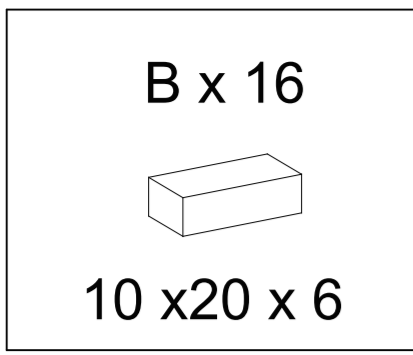
# 2

B x 8  10 x 20 x 6
---

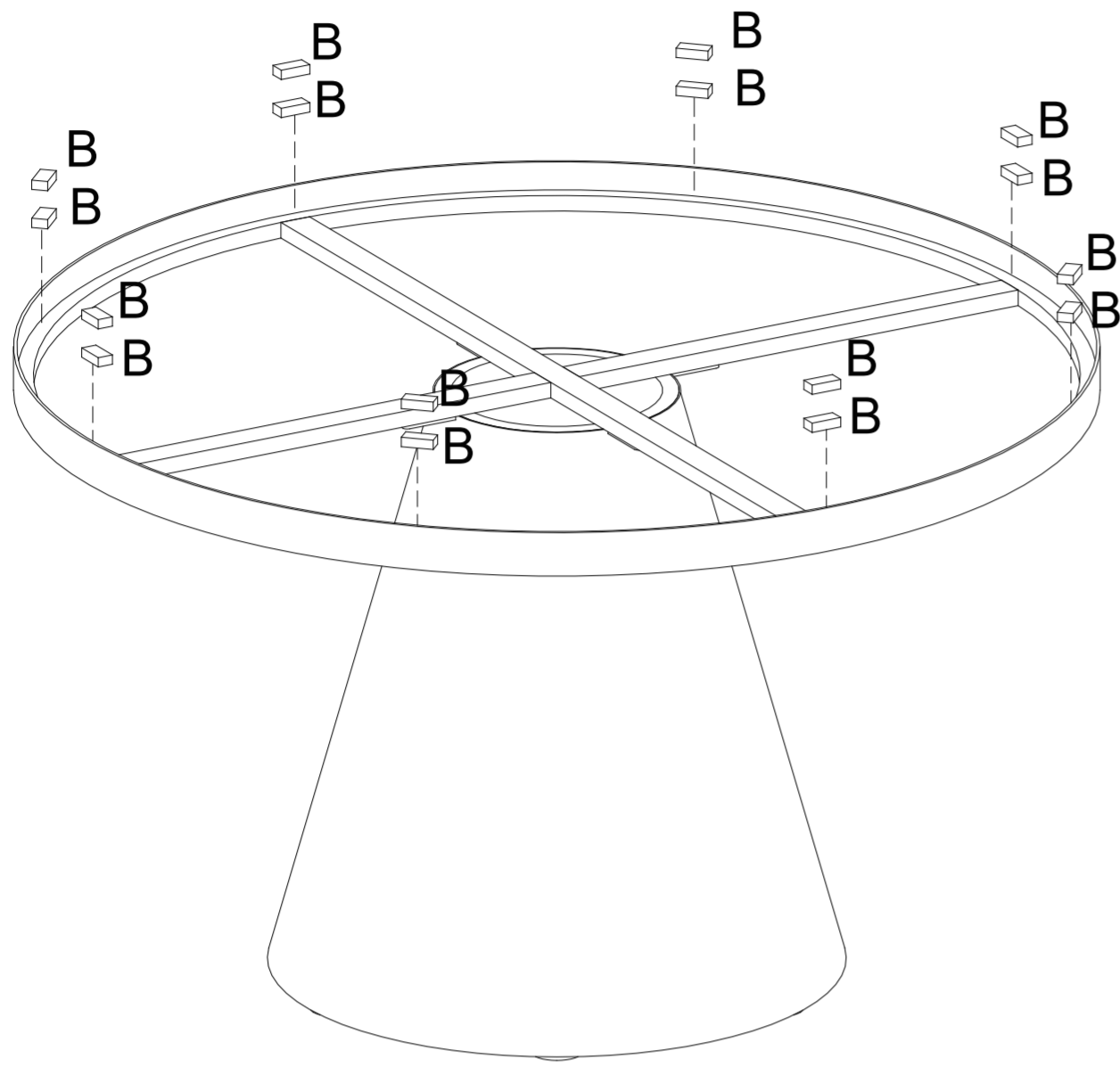
=12mm

=12mm

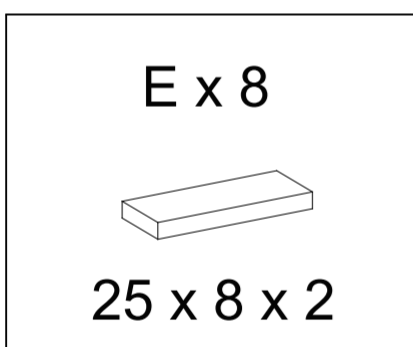
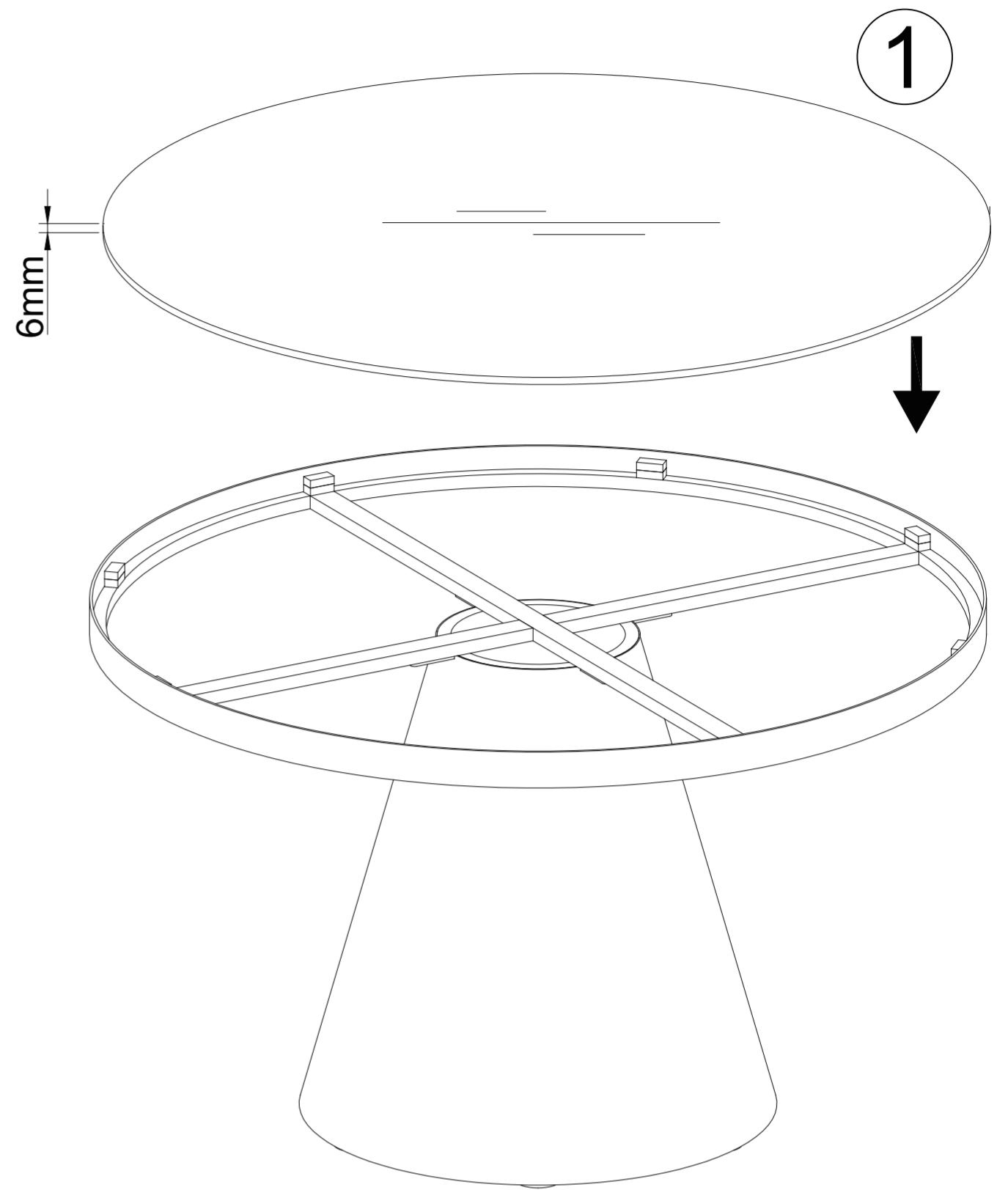




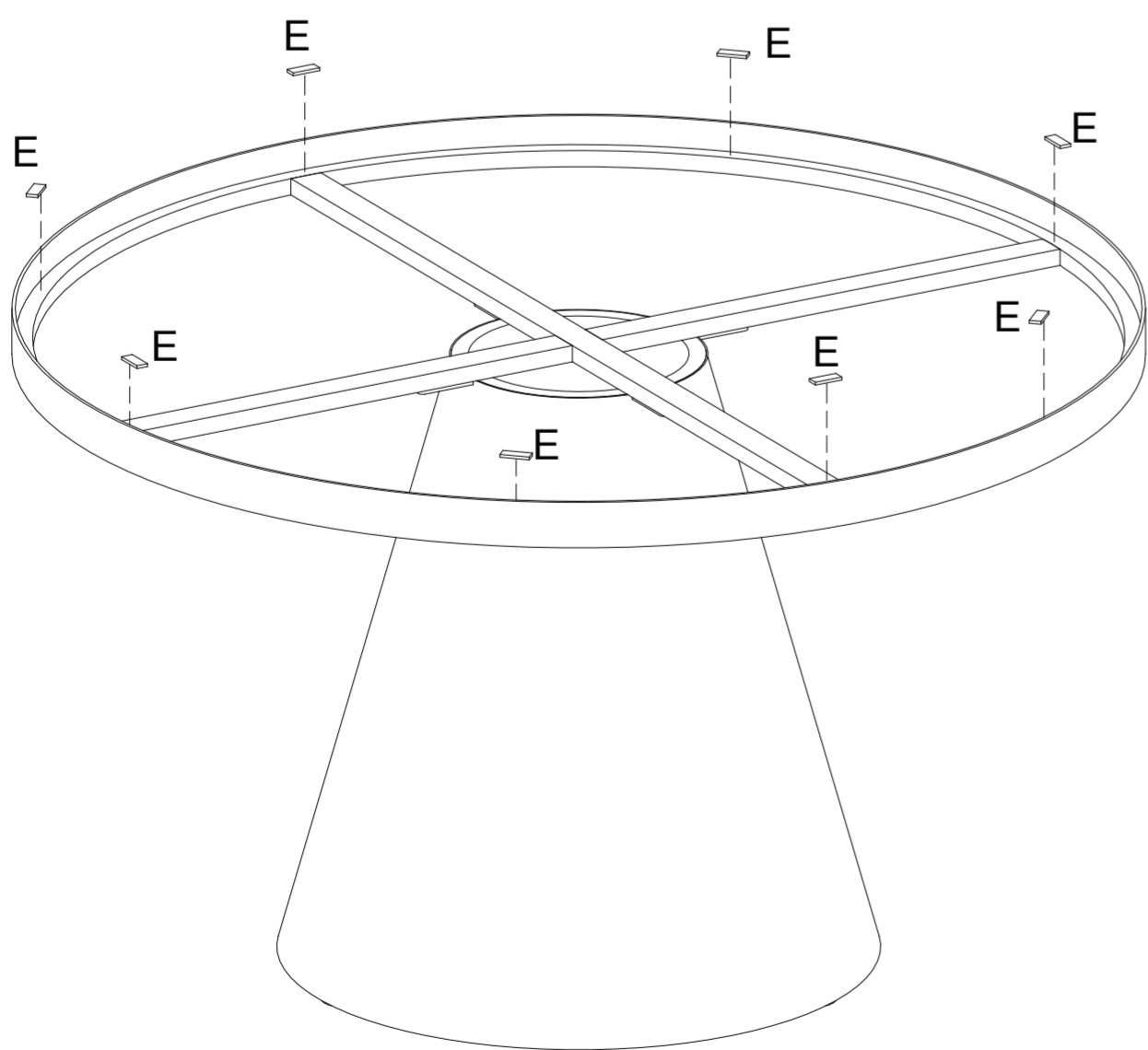
=6mm



=6mm



=16mm



=16mm

