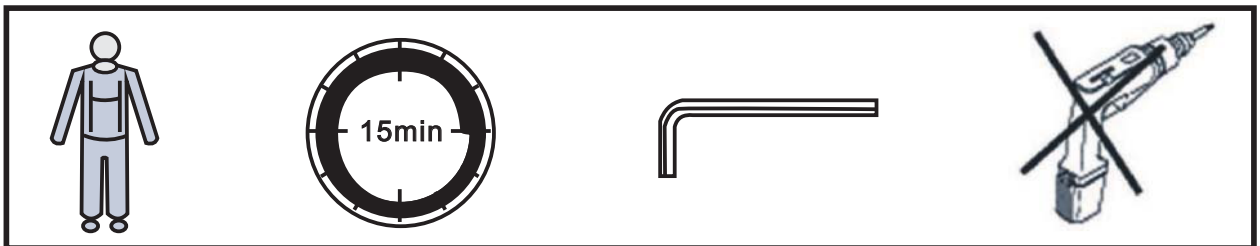
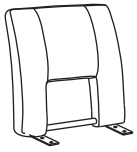


---

# Sylvia barstool



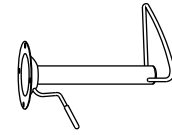
# Sylvia barstool



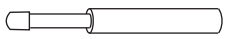
Ax1



Bx1



Cx1



Dx1



Ex1

Gx4



M6\*18

Hx4

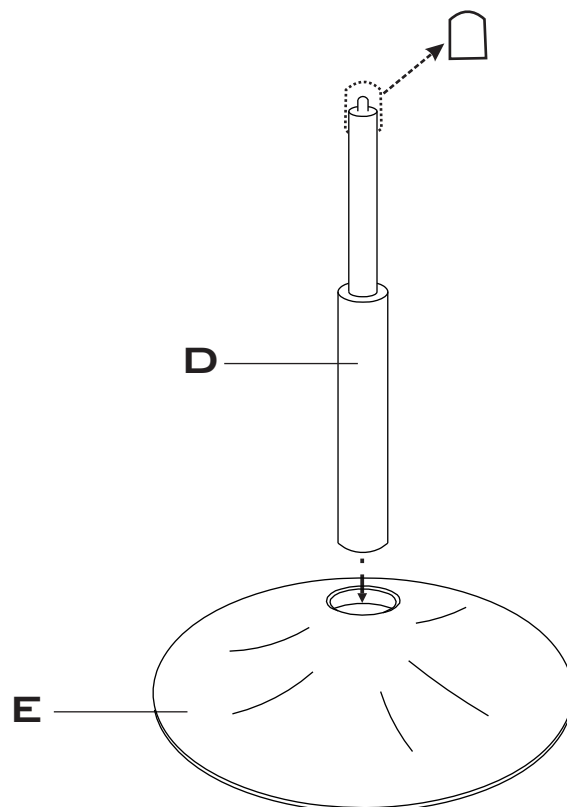


M6\*25

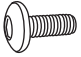
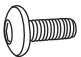

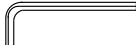
Kx8

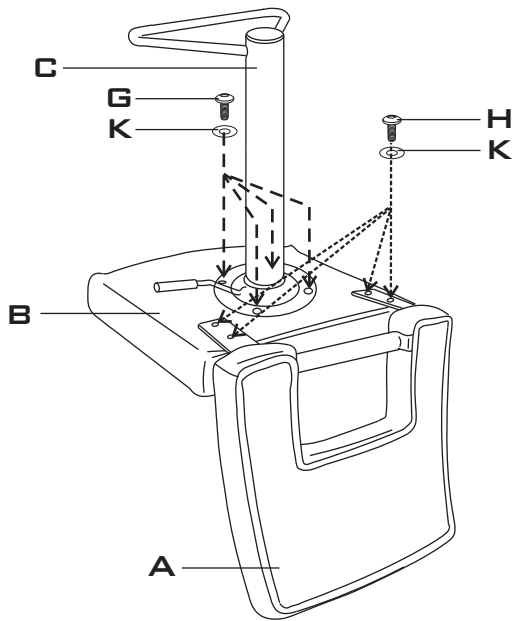


Lx1

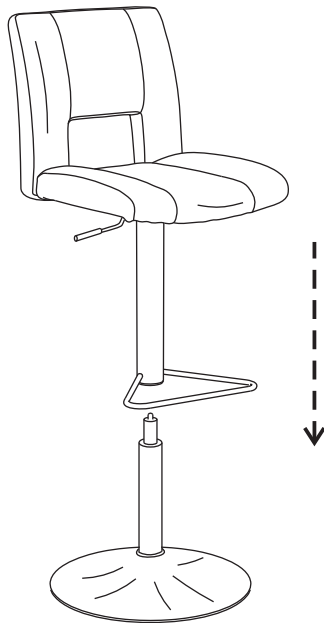


1

- Gx4  M6\*18
- Hx4  M6\*25
- Kx8 
- Lx1 



2



3

