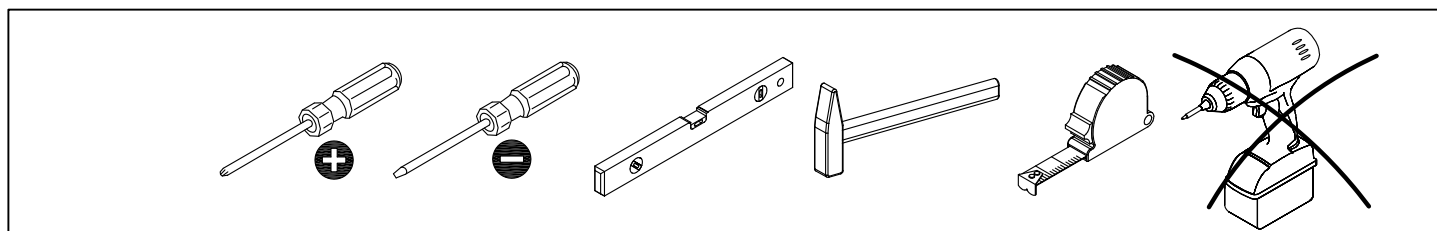
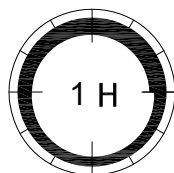
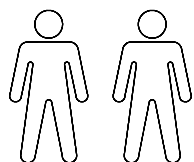
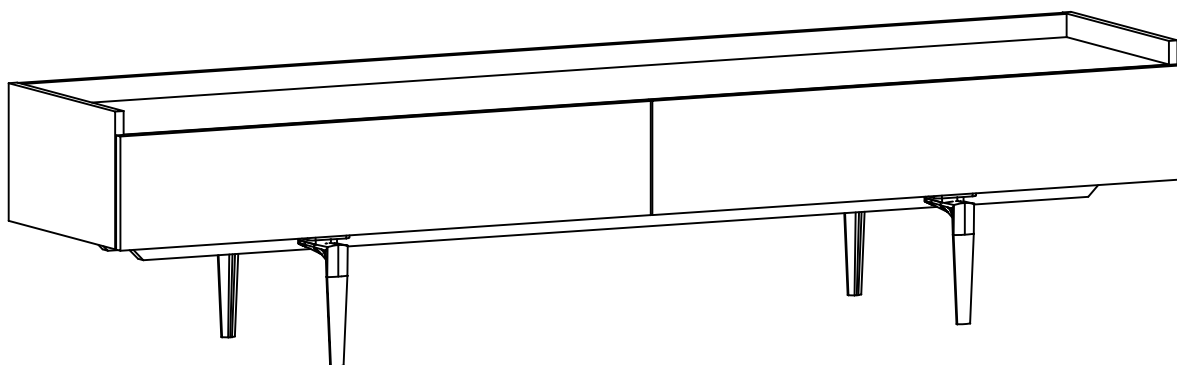
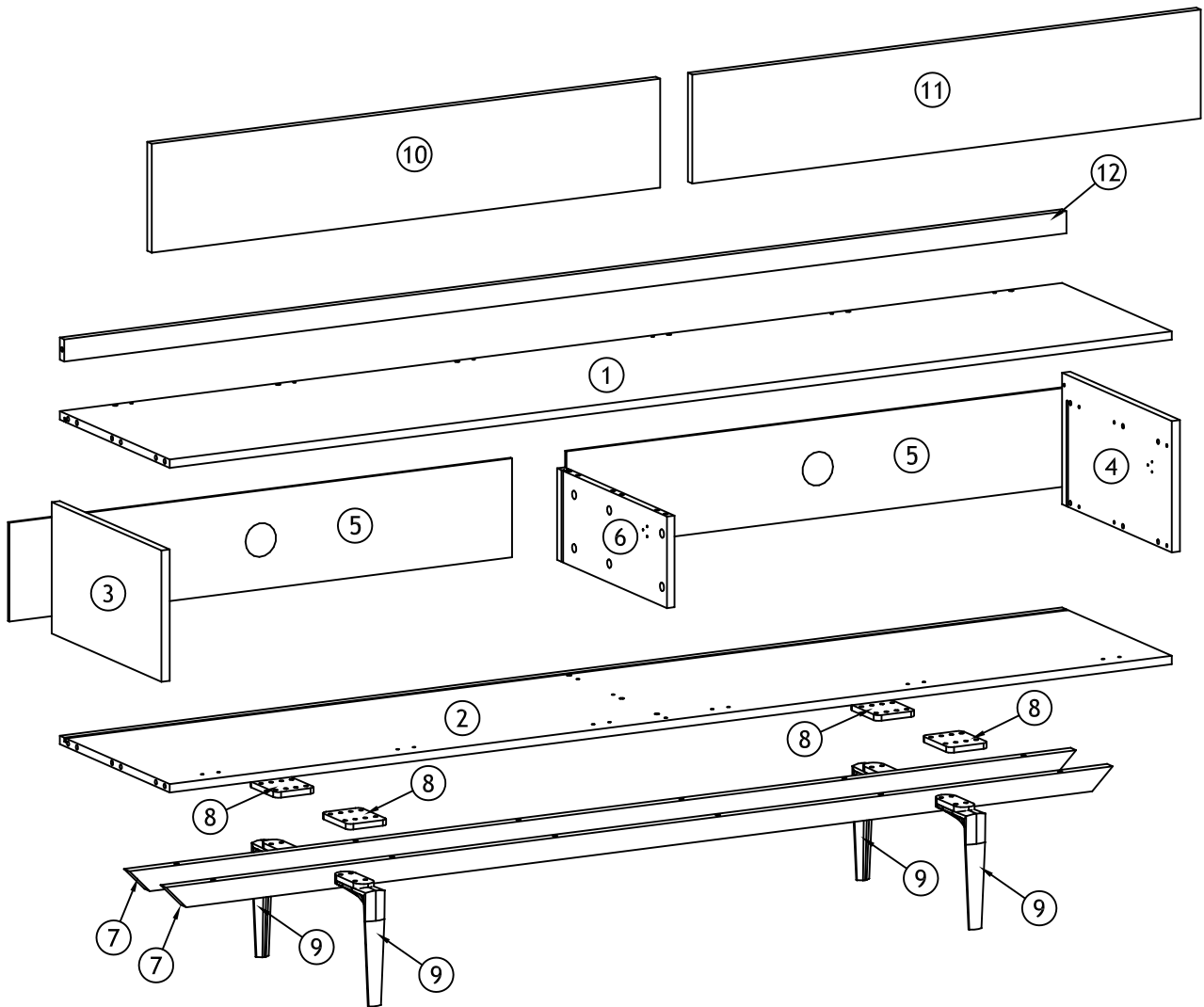


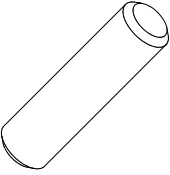
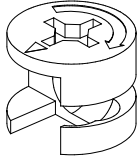
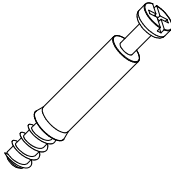
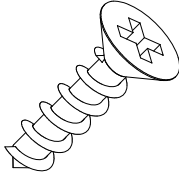
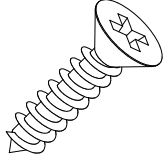
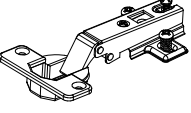


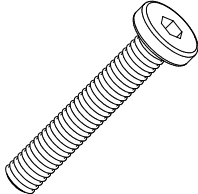
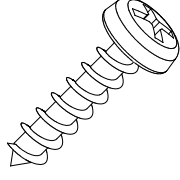
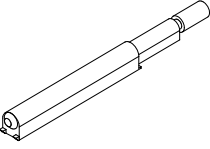
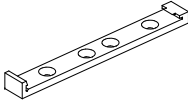
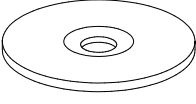
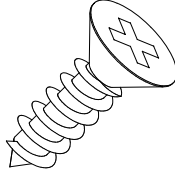
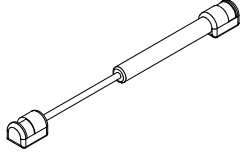
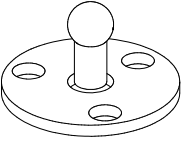
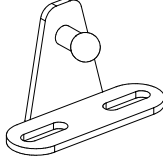
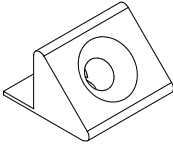
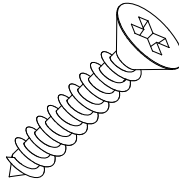
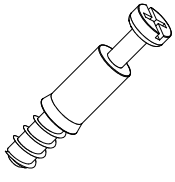
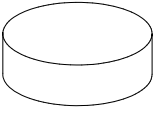
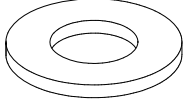
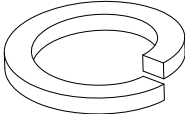
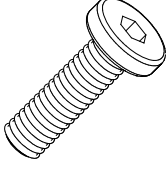
# CONNECT



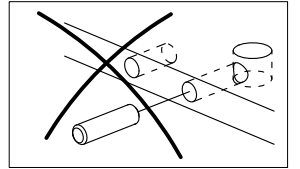
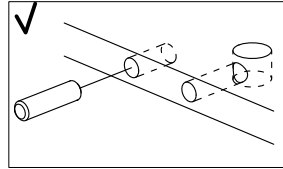
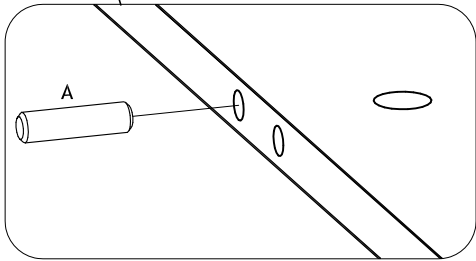
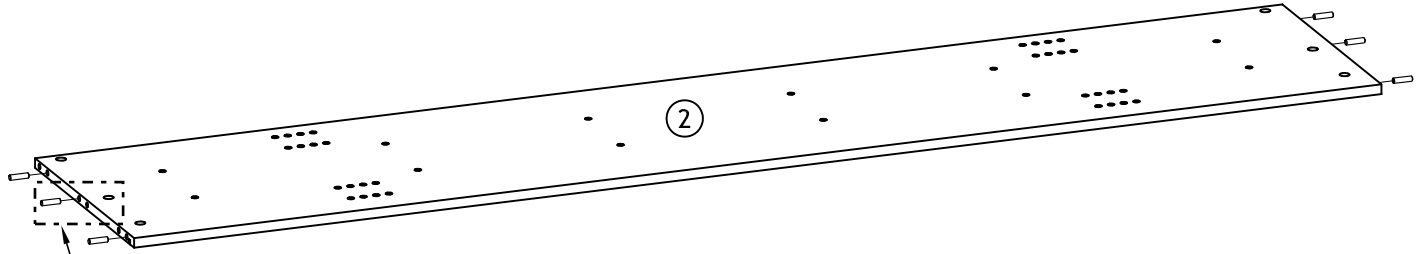
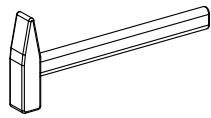
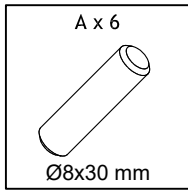
			✓
①	1	1969 x 400 x 15	
②	1	1969 x 400 x 15	
③	1	234 x 400 x 16	
④	1	234 x 400 x 16	
⑤	2	987,5 x 176 x 5	
⑥	1	163 x 400 x 15	

			✓
⑦	2	1860 x 40 x 20	
⑧	4	100 x 78 x 10	
⑨	4	212 x 128 x 38	
⑩	1	999 x 194 x 16	
⑪	1	999 x 194 x 16	
⑫	1	1969 x 39,5 x 16	

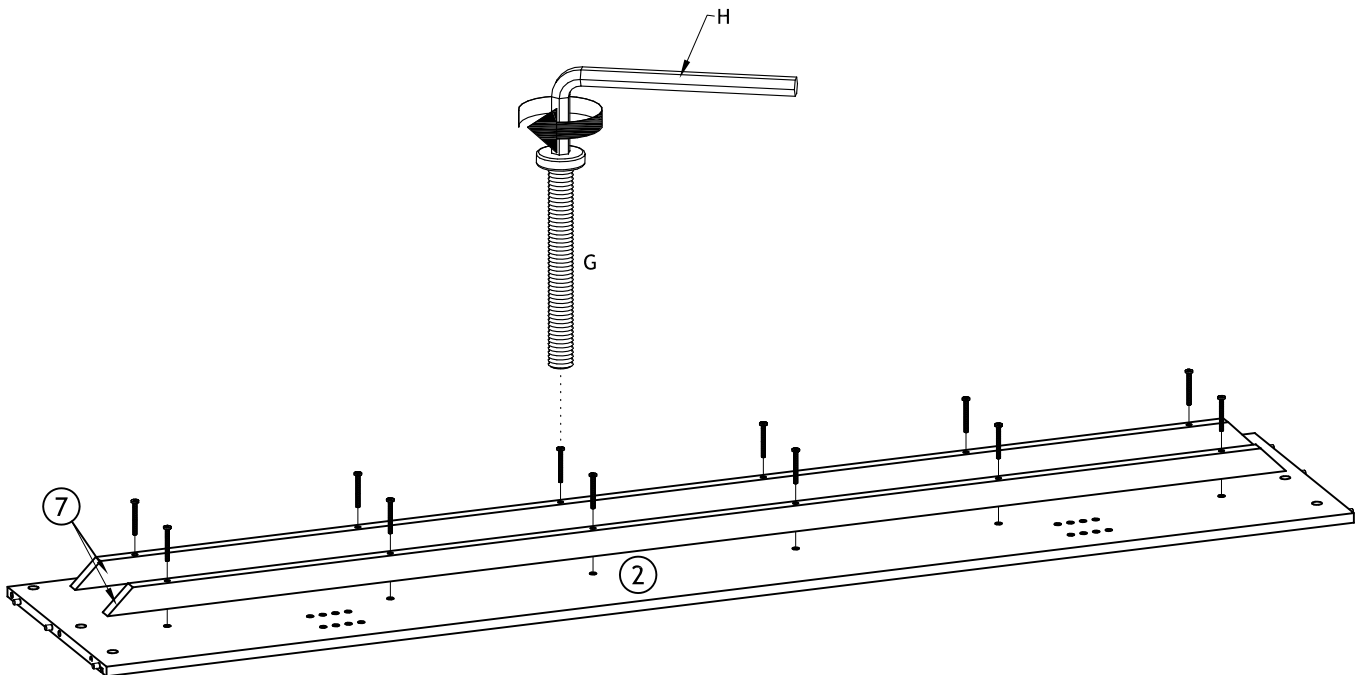
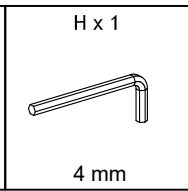
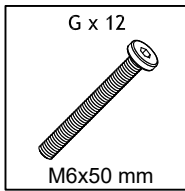


<p>A x 24</p>  <p>Ø8x30 mm</p>	<p>B x 26</p>  <p>Ø15x12 mm</p>	<p>C x 20</p>  <p>Ø6,1/34 mm</p>	<p>D x 4</p>  <p>Ø3x12 mm</p>	<p>E x 12</p>  <p>Ø3,5x15 mm</p>
<p>F x 6</p>  <p>Ø35/FK 0 mm</p>	<p>G x 12</p>  <p>M6x50 mm</p>	<p>H x 1</p>  <p>4 mm</p>	<p>J x 16</p>  <p>M6x35 mm</p>	<p>K x 20</p>  <p>Ø3,5x15 mm</p>
<p>L x 4</p>  <p>122/82 mm</p>	<p>M x 4</p>  <p>83x10 mm</p>	<p>N x 4</p>  <p>Ø16x0,8 mm</p>	<p>P x 16</p>  <p>Ø3,5x12 mm</p>	<p>Q x 4</p>  <p>Ø15xc/c 152 mm</p>
<p>R x 4</p>  <p>Ø31x2 mm</p>	<p>S x 4</p>  <p>51x16x2 mm</p>	<p>T x 8</p>  <p>15x15 mm</p>	<p>U x 8</p>  <p>Ø3,5x18 mm</p>	<p>V x 6</p>  <p>Ø6,1/24 mm</p>
<p>W x 4</p>  <p>Ø10x3 mm</p>	<p>X x 16</p>  <p>Ø6/Ø12 mm</p>	<p>Y x 16</p>  <p>Ø6 mm</p>	<p>Z x 16</p>  <p>M6x20 mm</p>	







1

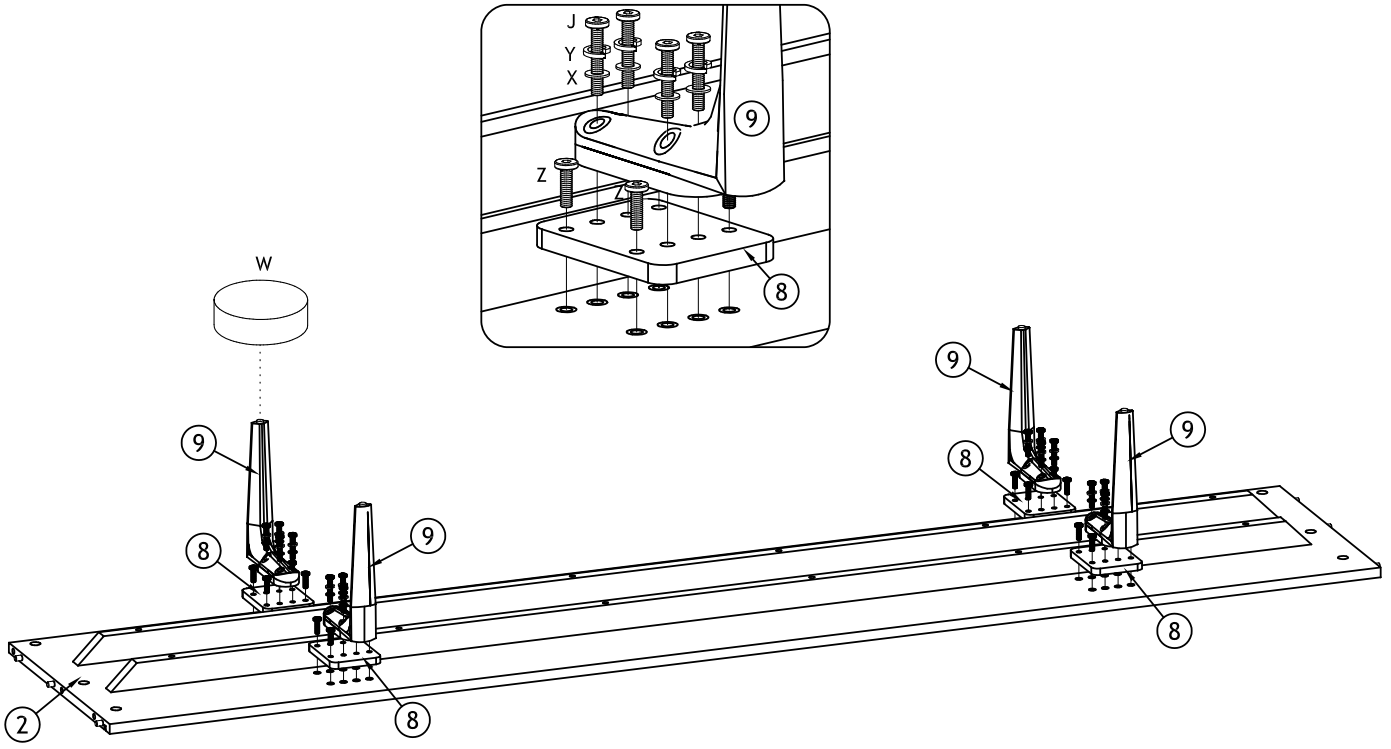


2

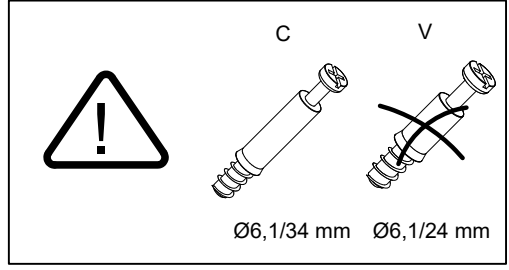
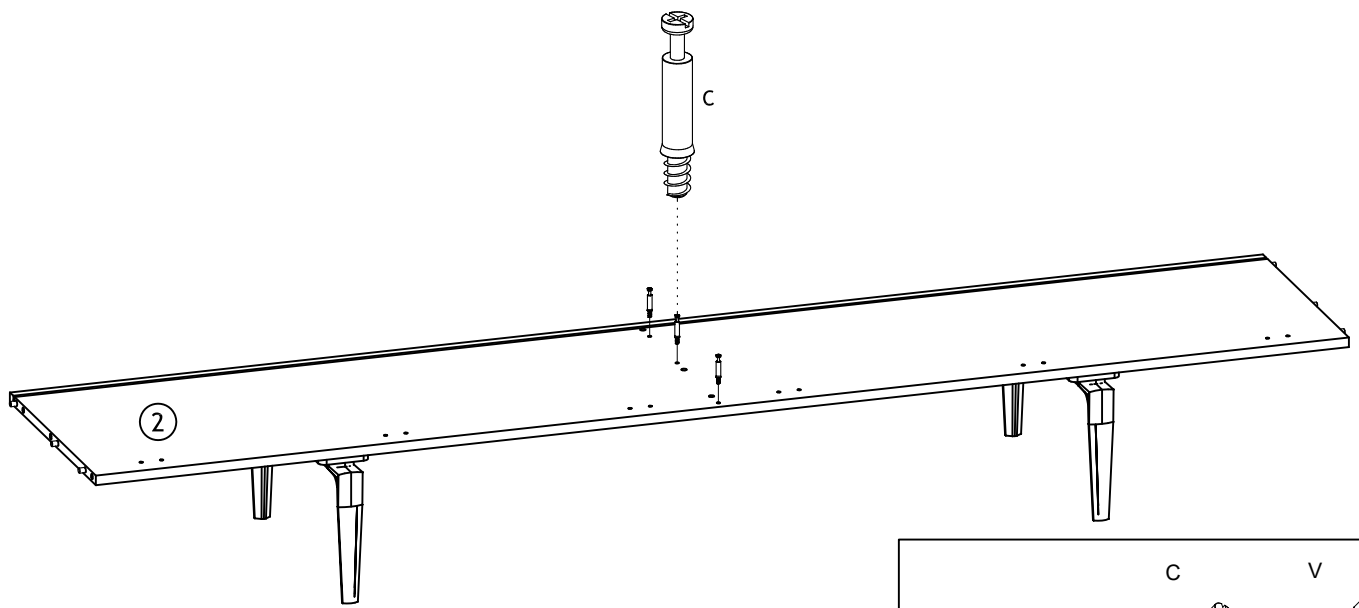
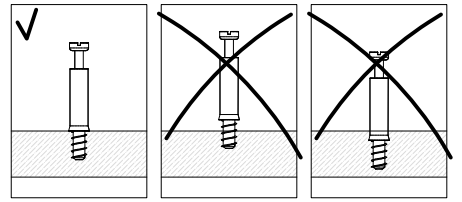
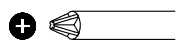
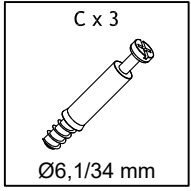


# 3

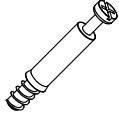
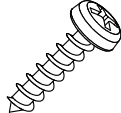
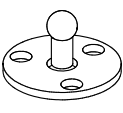
H x 1  4 mm	J x 16  M6x35 mm	W x 4  Ø10x3 mm	X x 16  Ø6/Ø12 mm	Y x 16  Ø6 mm	Z x 16  M6x20 mm
--	---	--	--	---	---

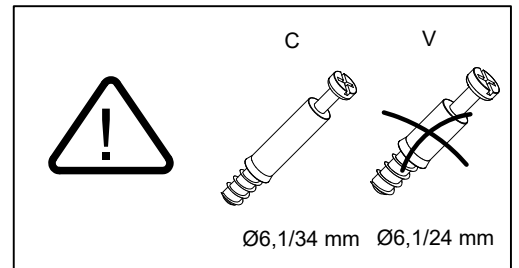
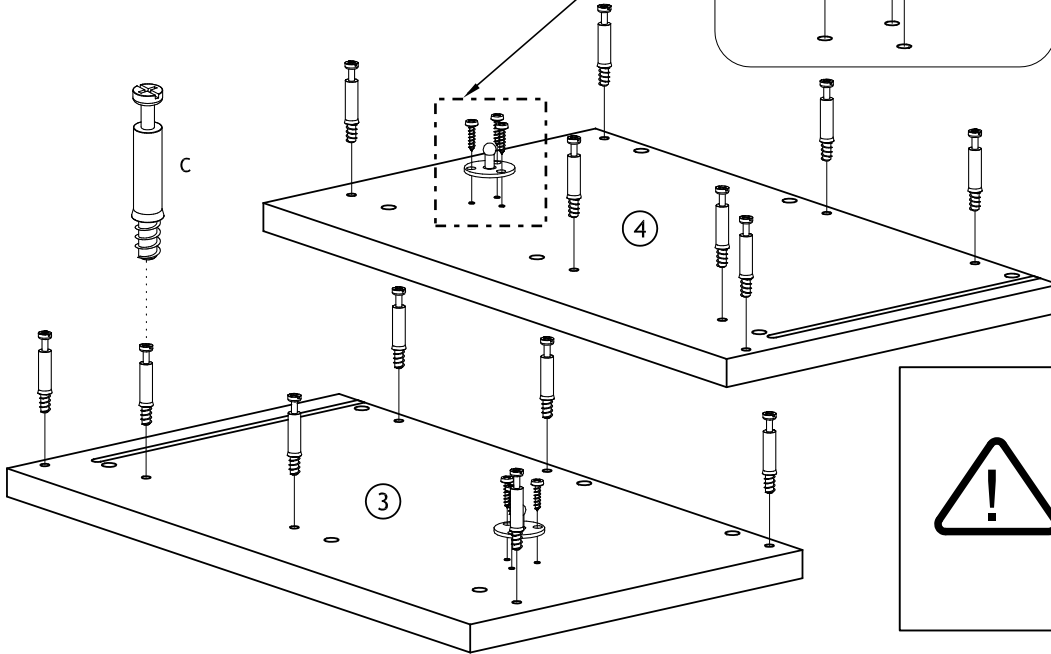
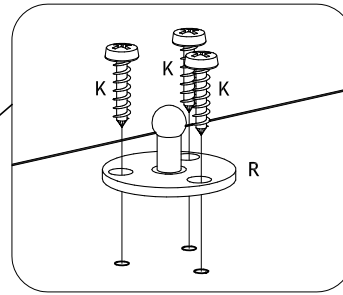
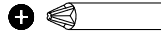


# 4

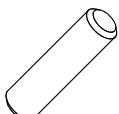
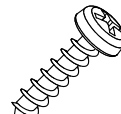
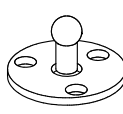


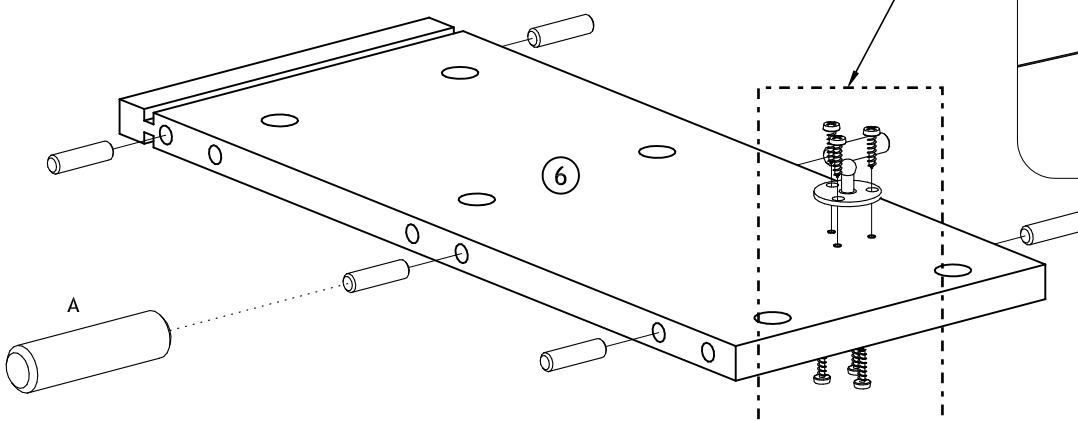
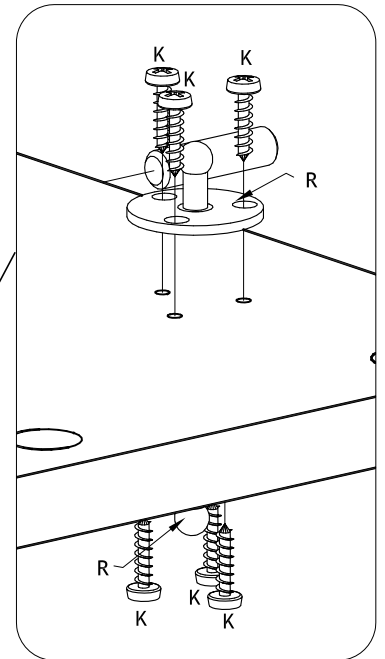
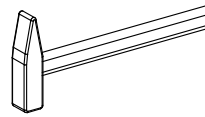
# 5

C x 14  Ø6,1/34 mm	K x 6  Ø3,5x15 mm	R x 2  Ø31x2 mm
---	--	--

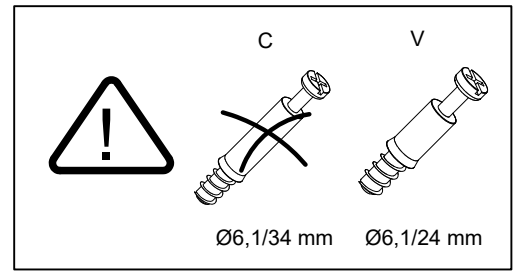
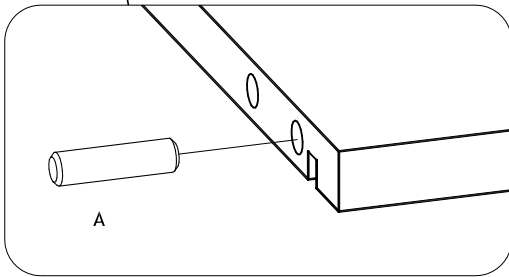
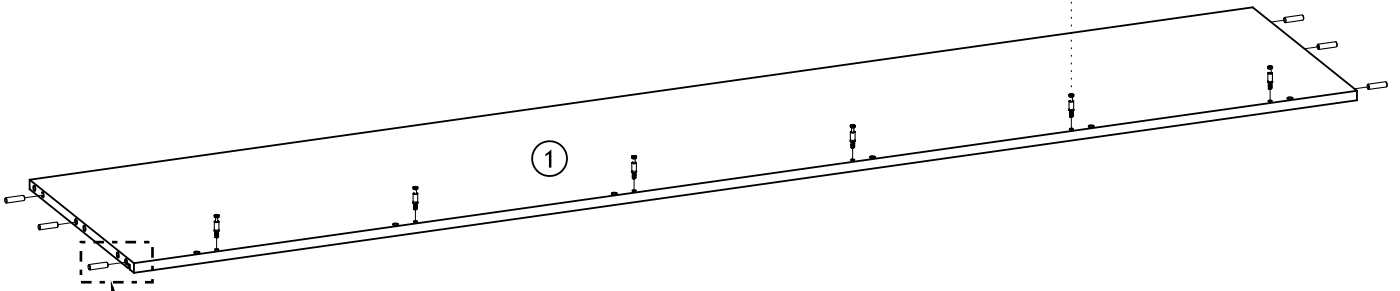
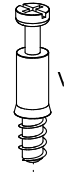
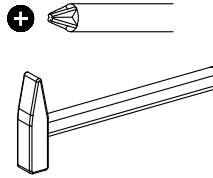
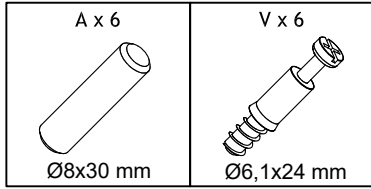


# 6

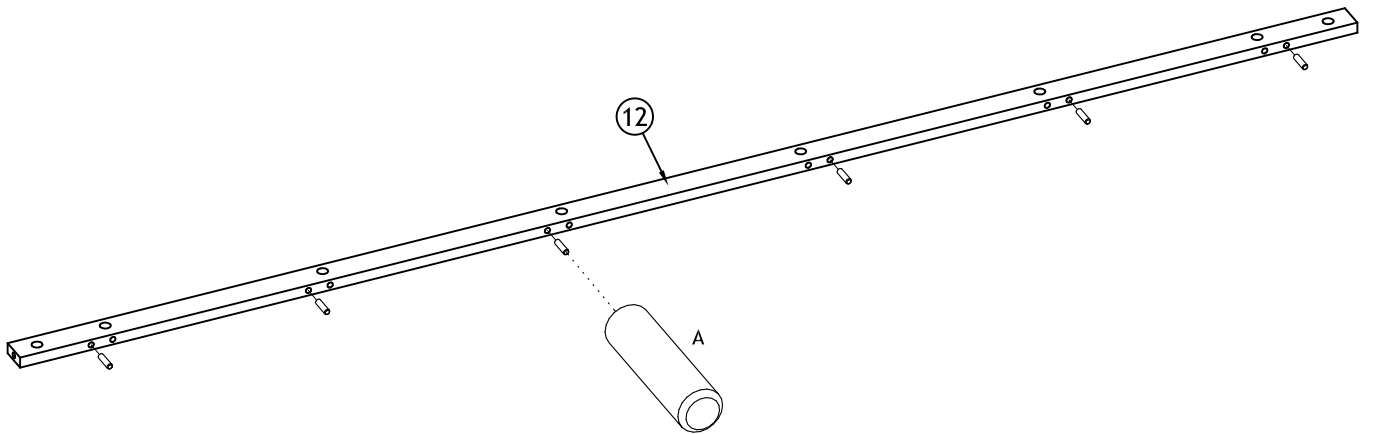
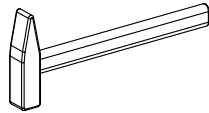
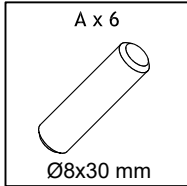
A x 6  Ø8x30 mm	K x 6  Ø3,5x15 mm	R x 2  Ø31x2 mm
--	--	--



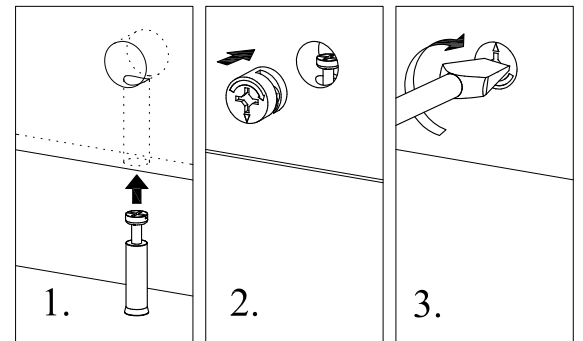
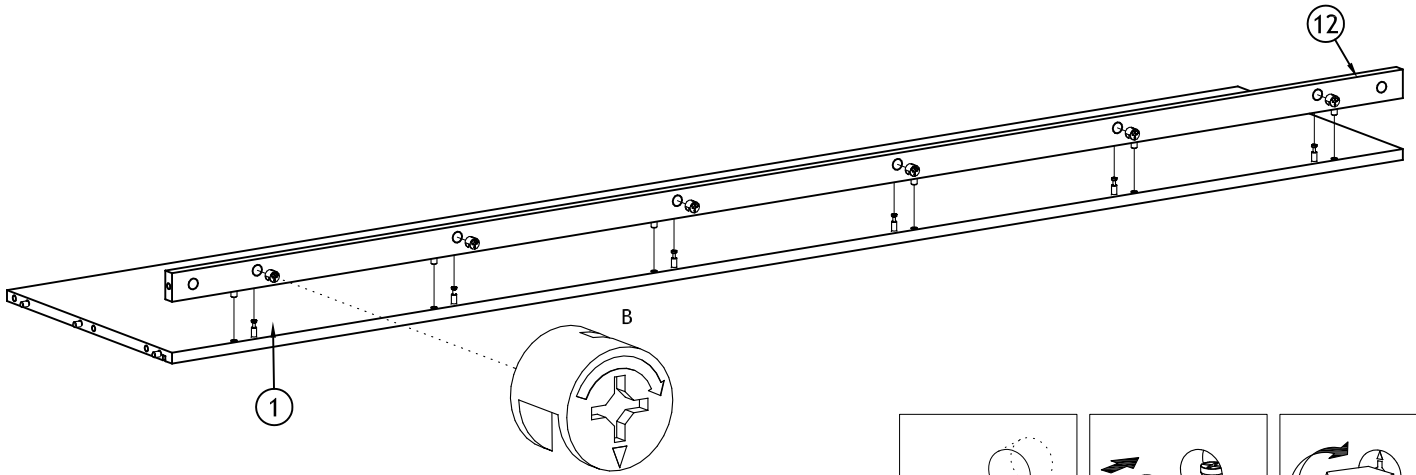
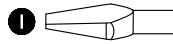
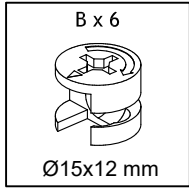
# 7



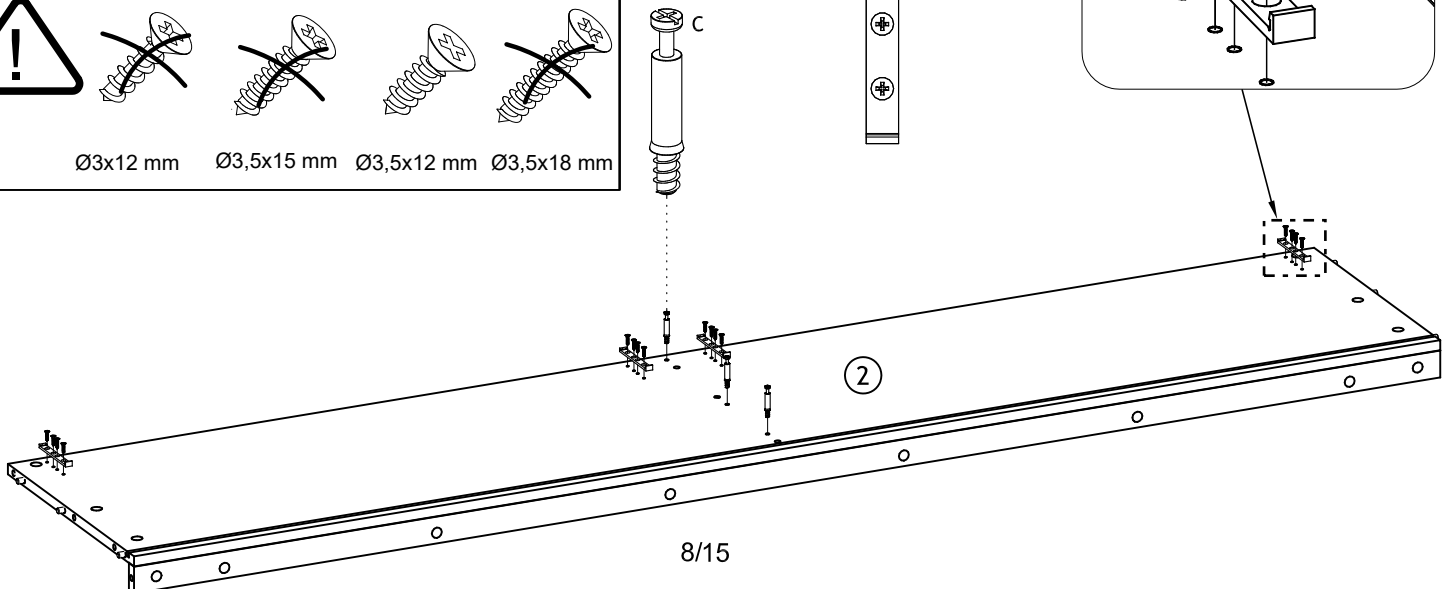
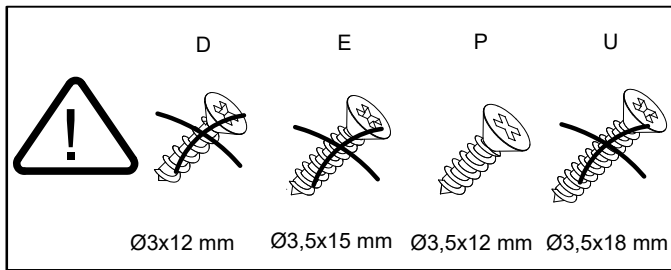
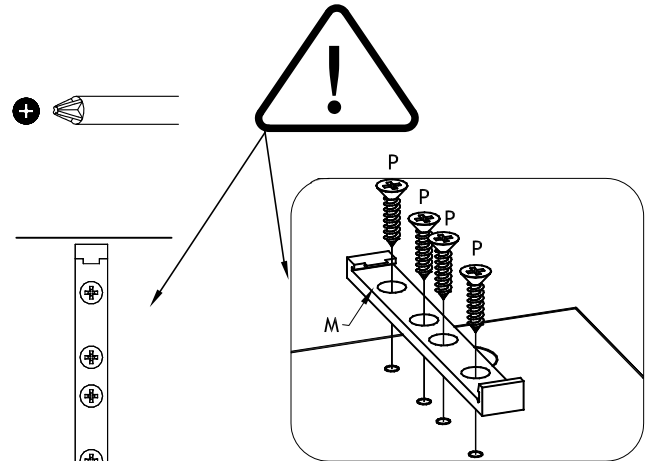
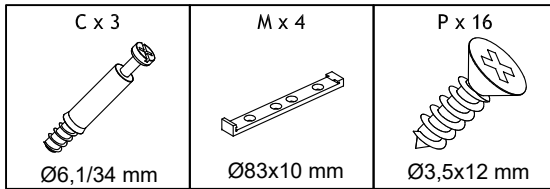
# 8



# 9

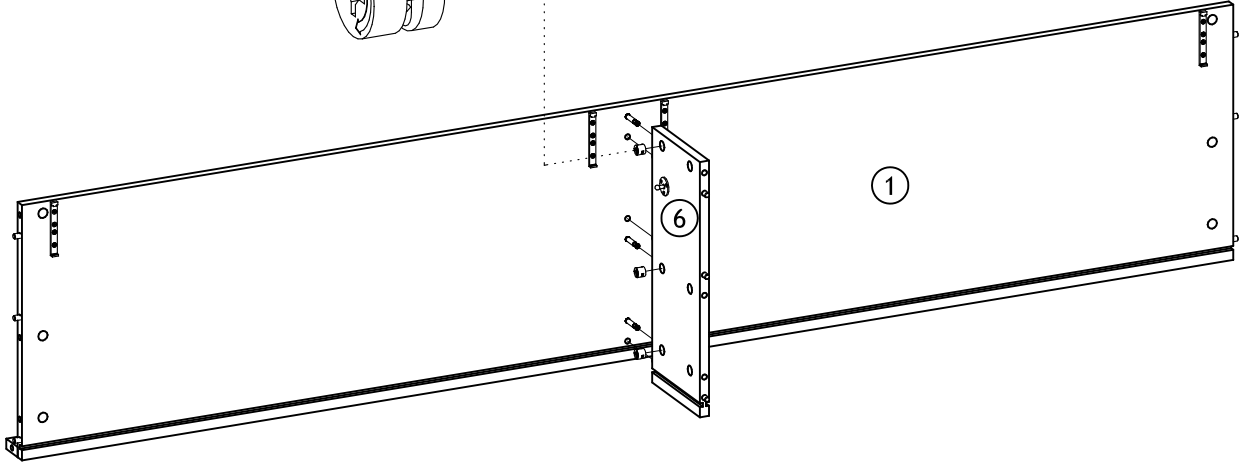
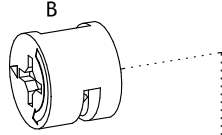
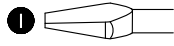
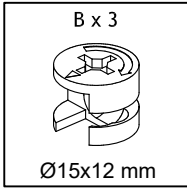


# 10

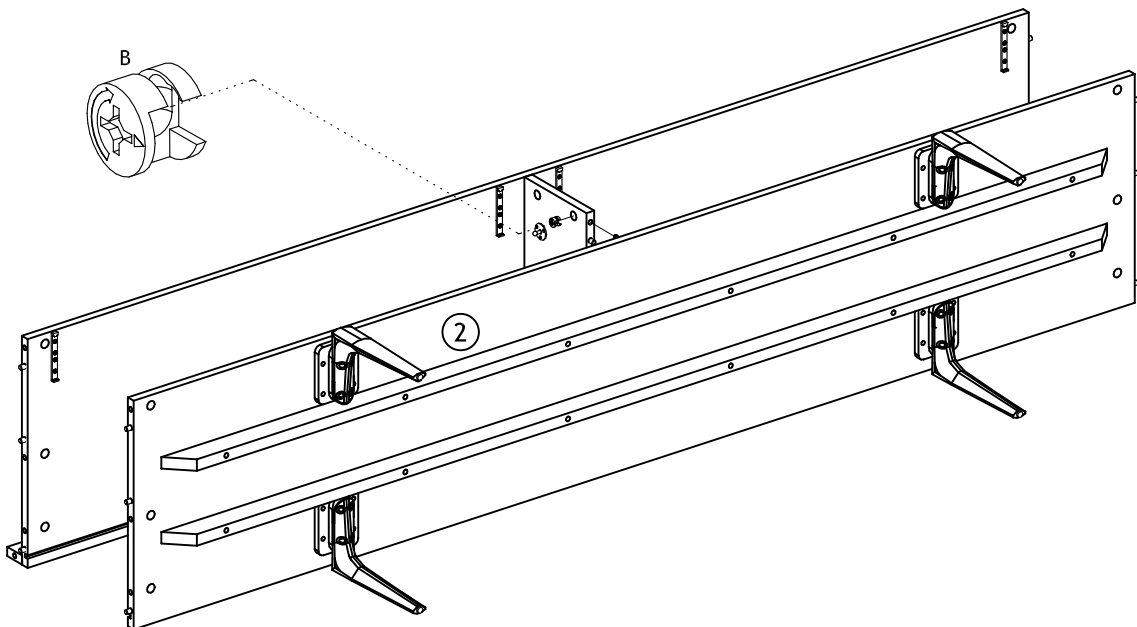
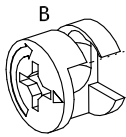
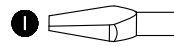
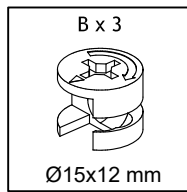




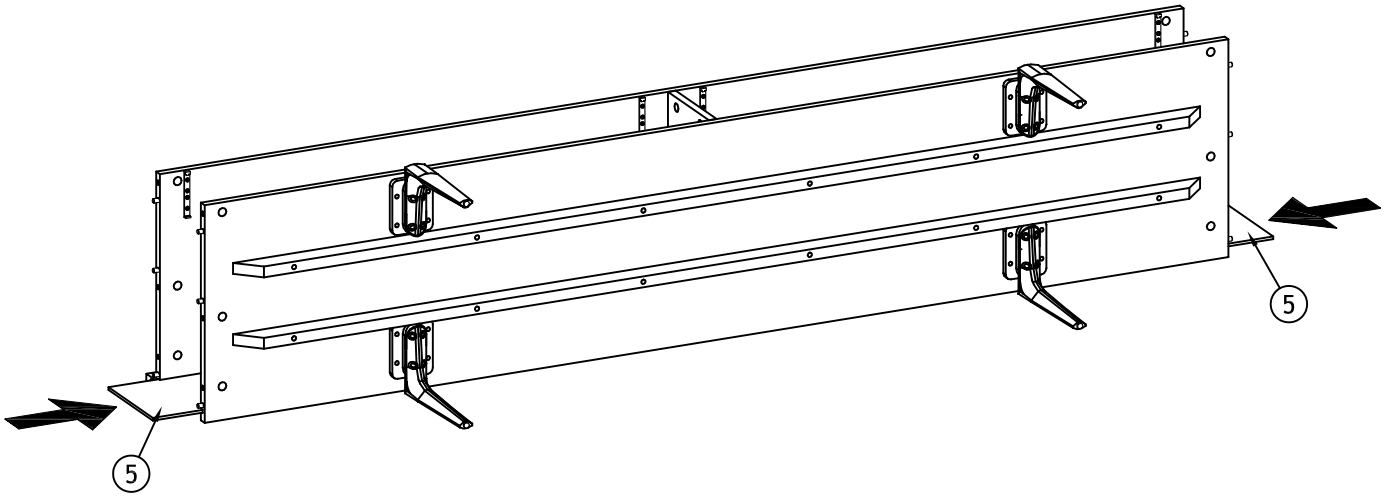
# 11



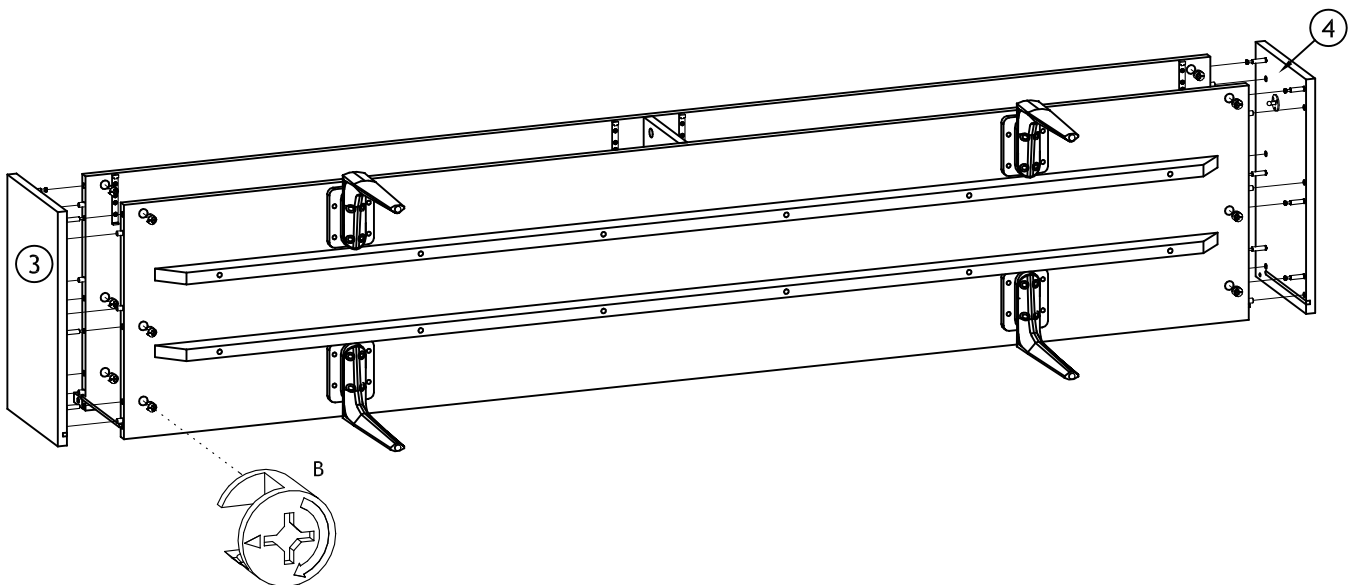
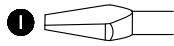
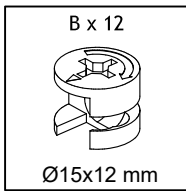
# 12



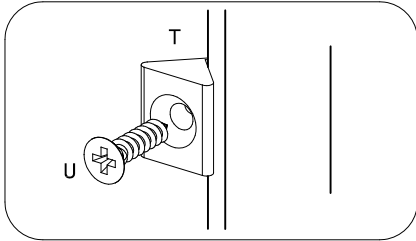
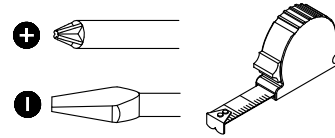
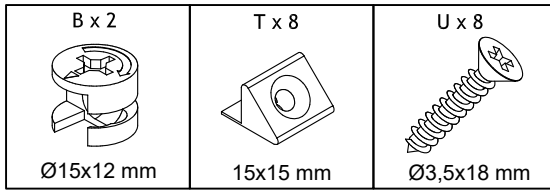
# 13



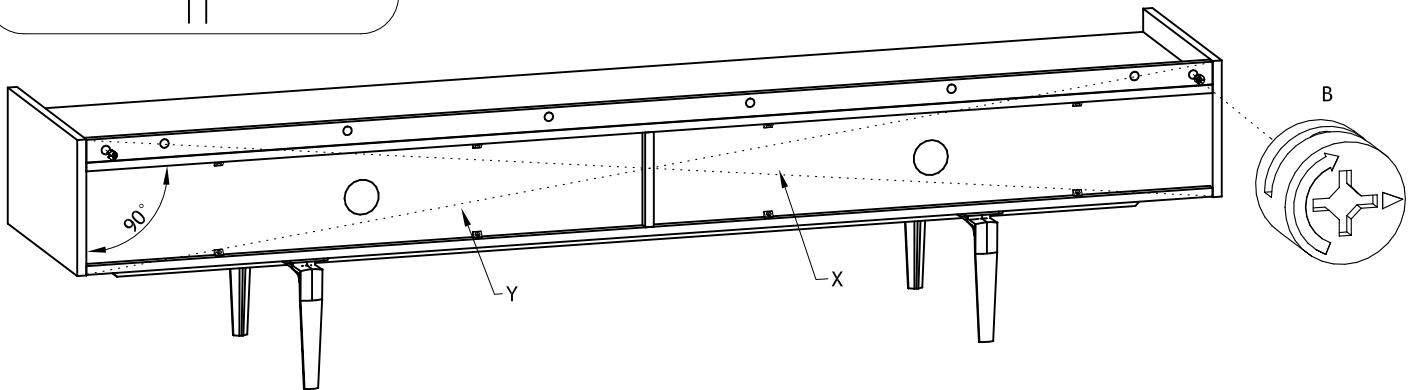
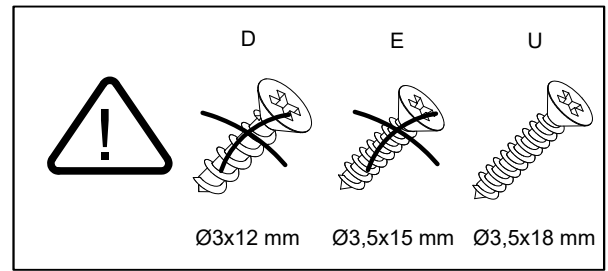
# 14



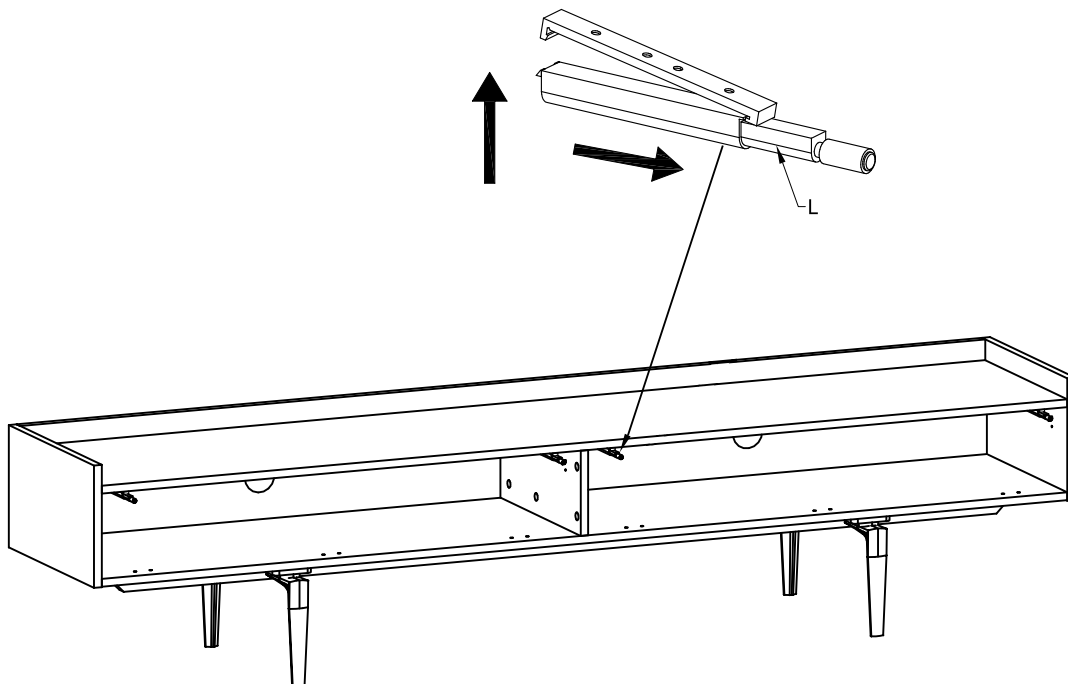
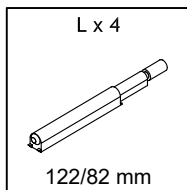
# 15



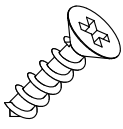
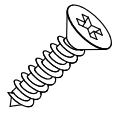
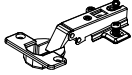

X=Y

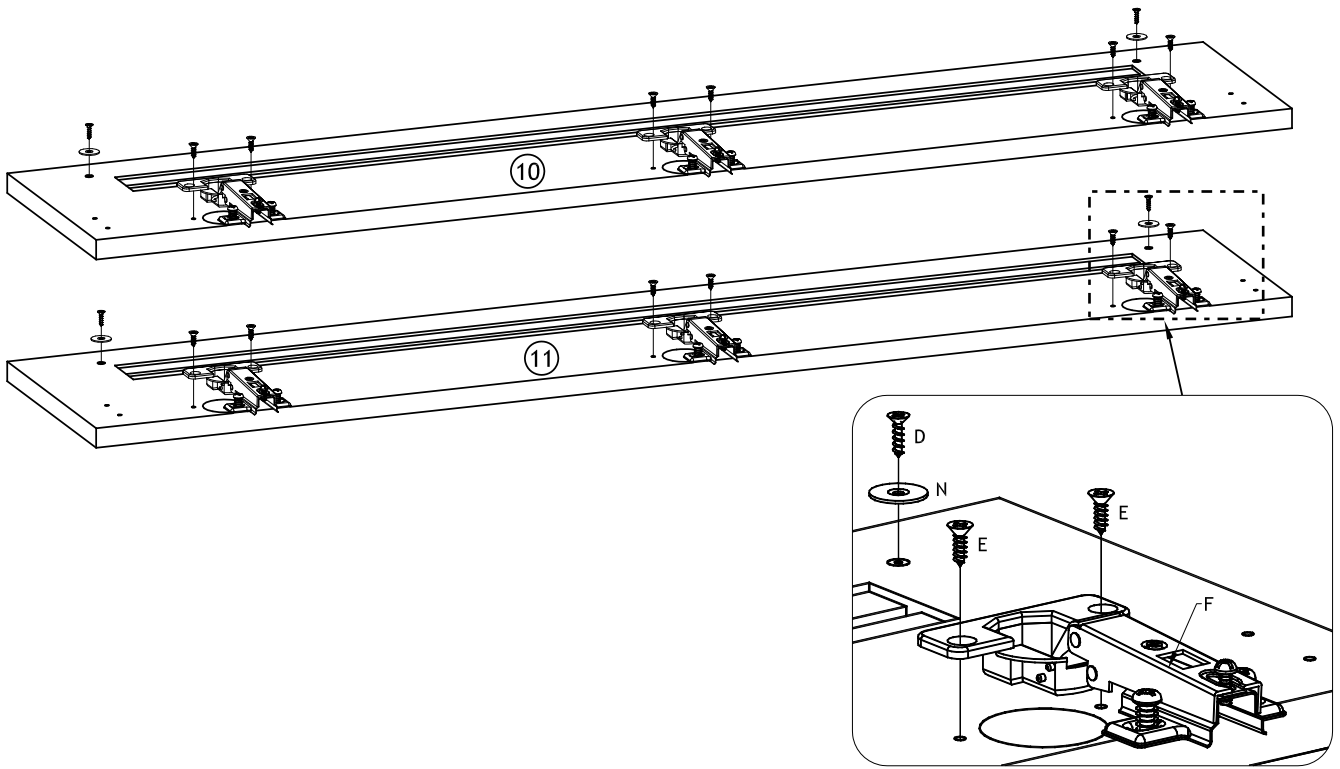
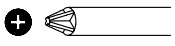


# 16


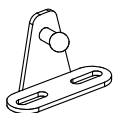


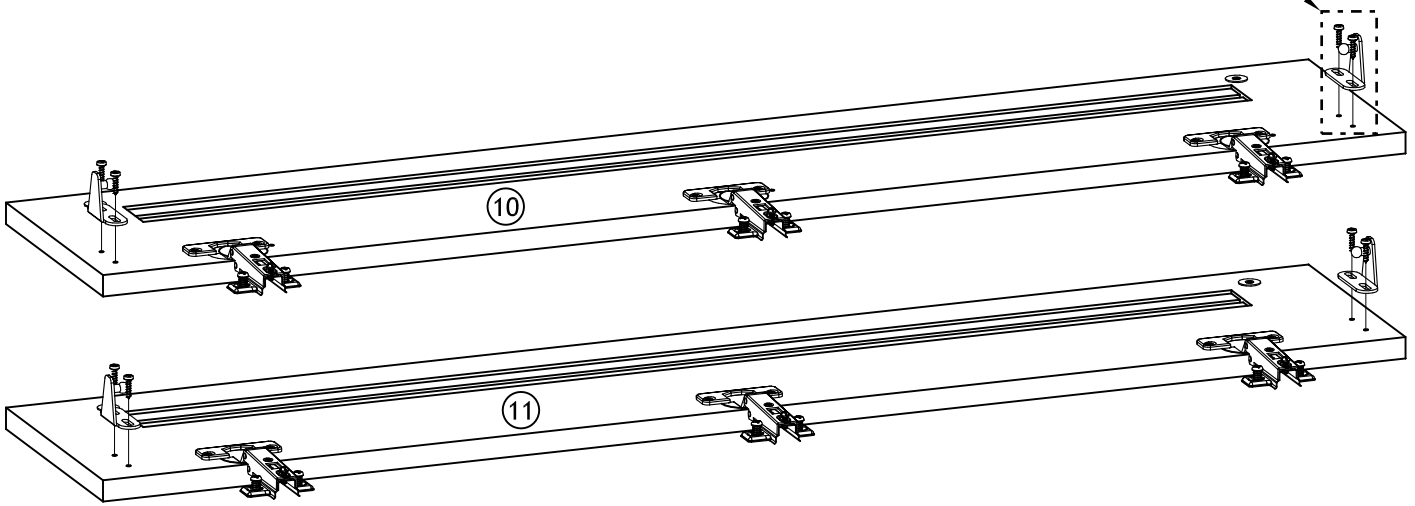
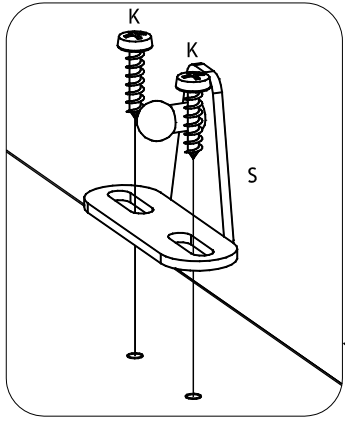
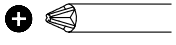
# 17

D x 4  Ø3x12 mm	E x 12  Ø3,5x15 mm	F x 6  Ø35/FK 0 mm	N x 4  Ø16x0,8 mm
--	---	---	--

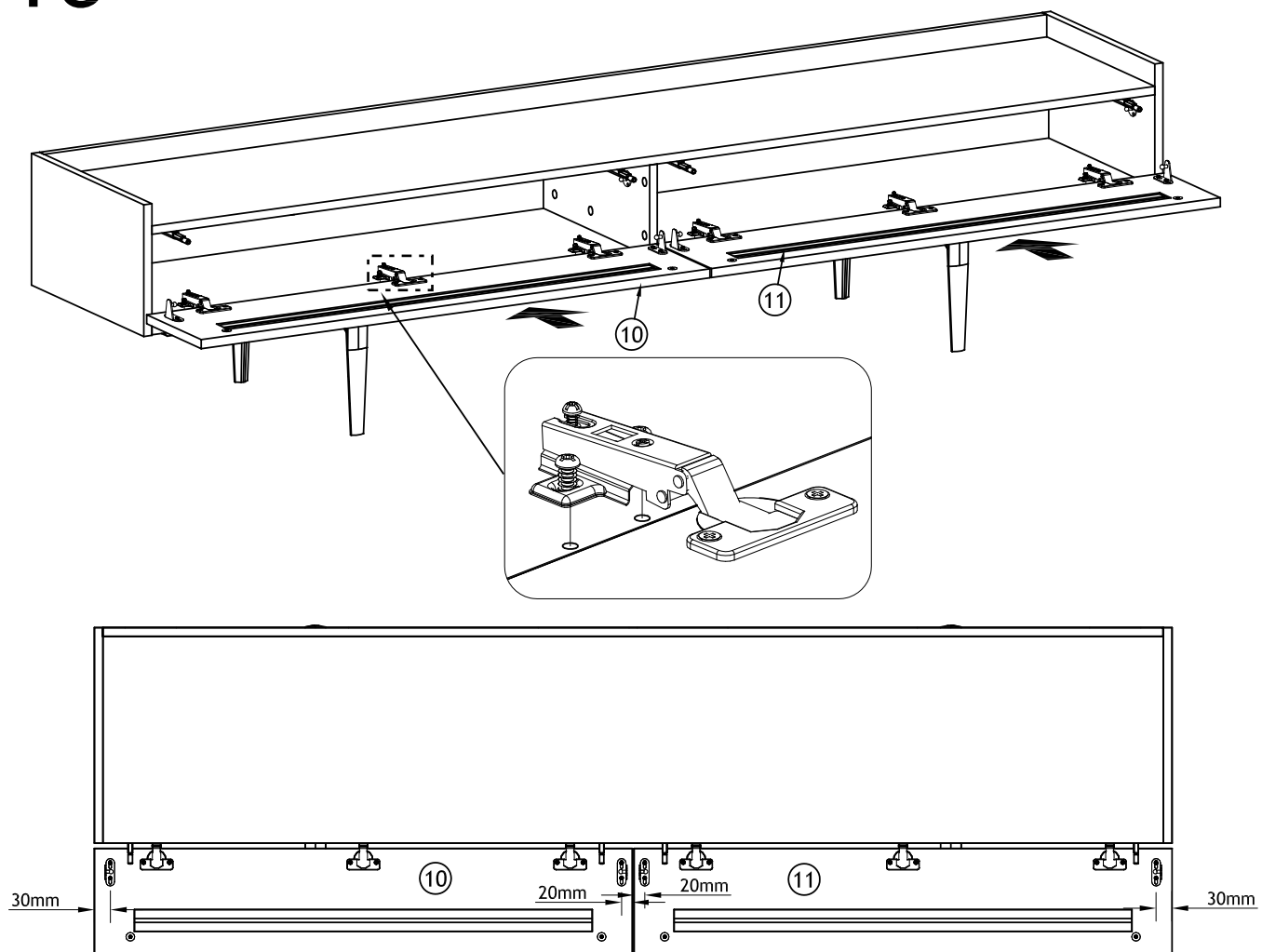
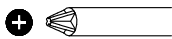


# 18

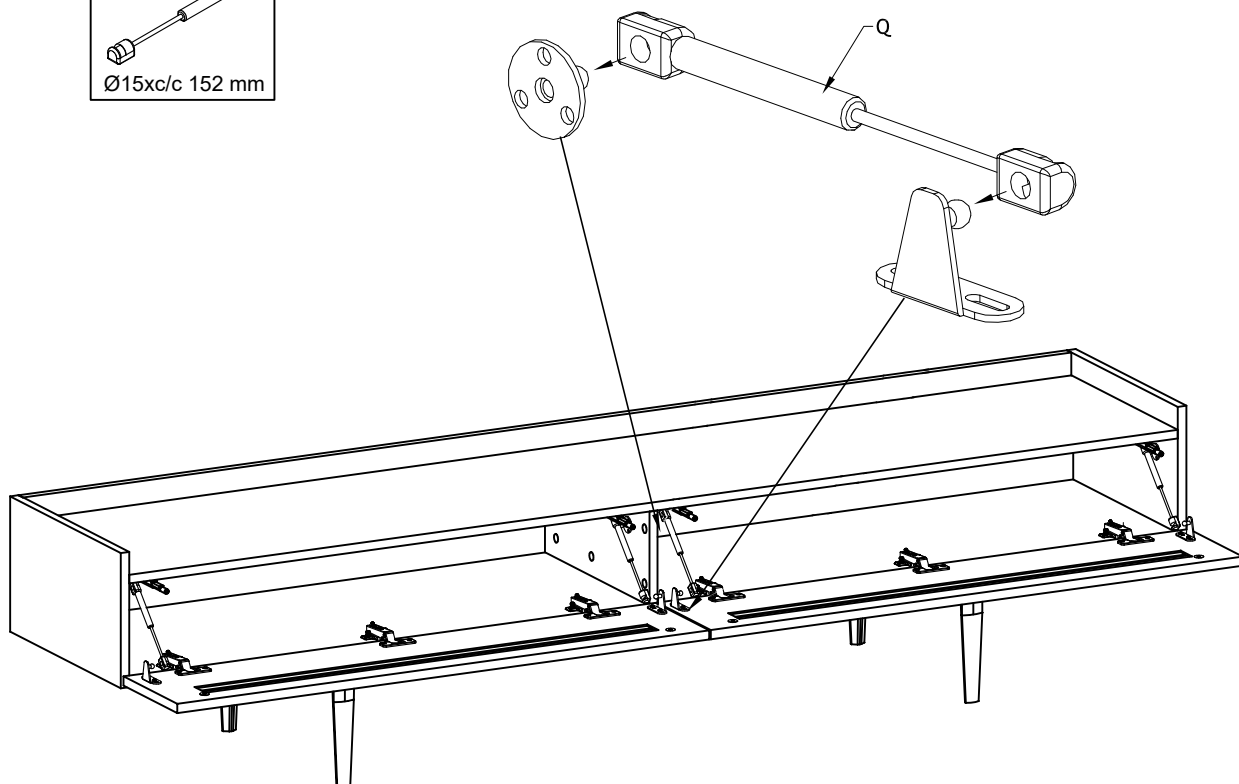
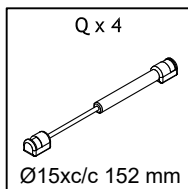
K x 8  Ø3,5x15 mm	S x 4  51x16x2 mm
--	--



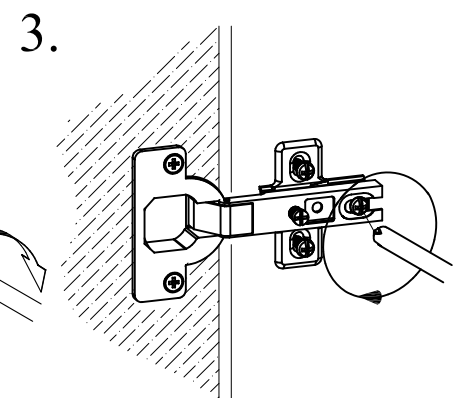
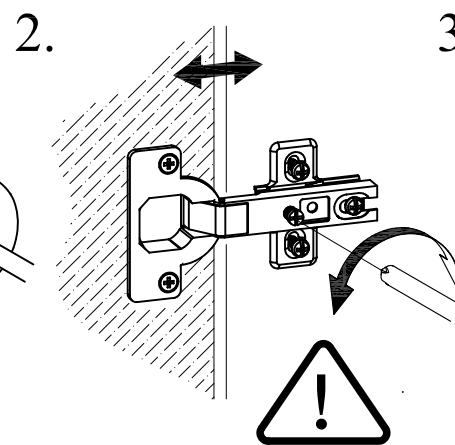
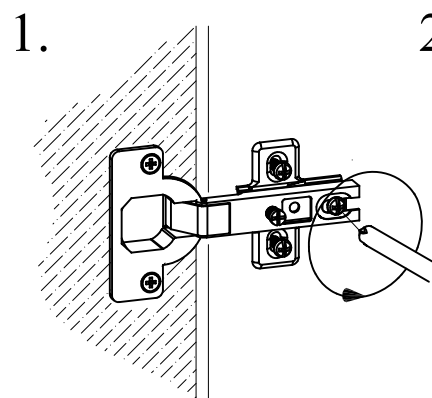
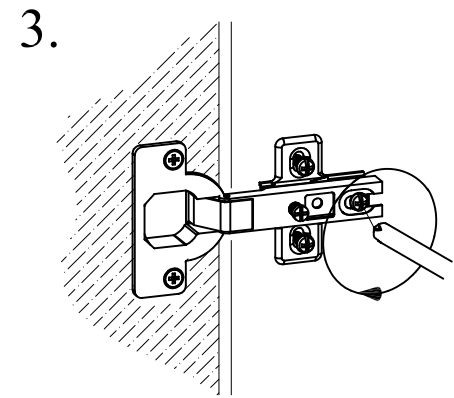
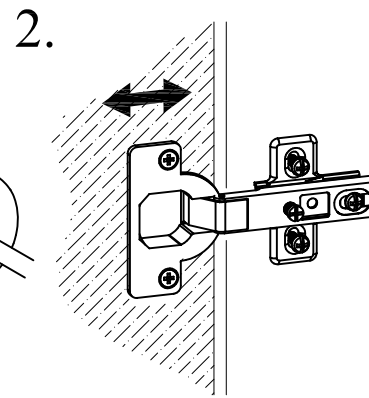
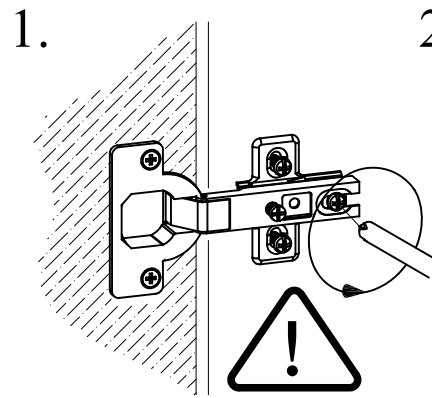
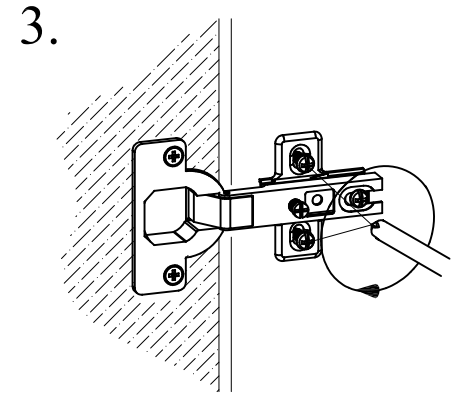
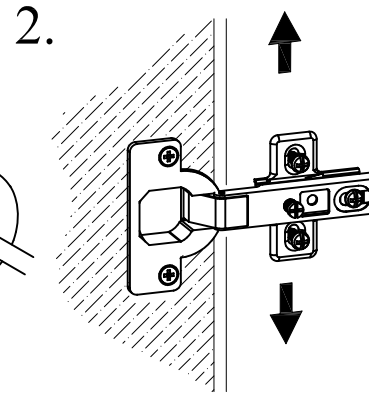
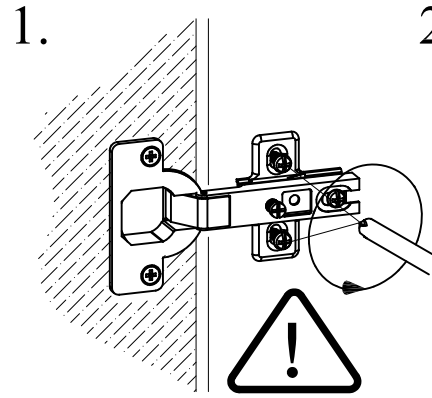
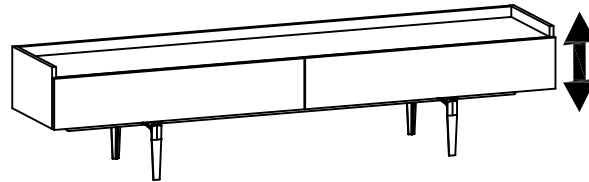
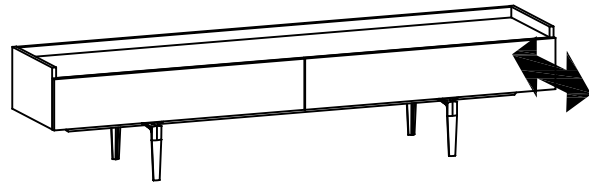
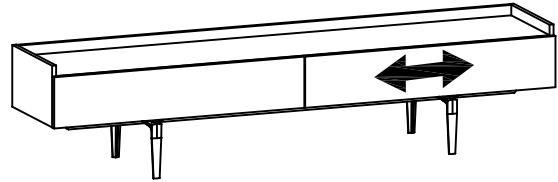
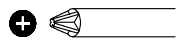
# 19



# 20



# 21



22

