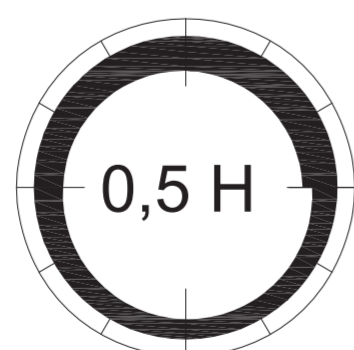
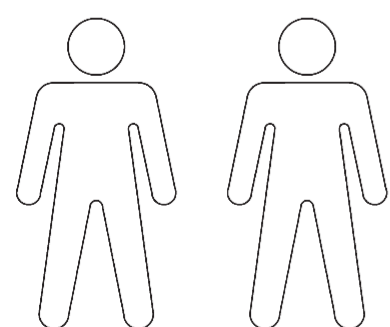
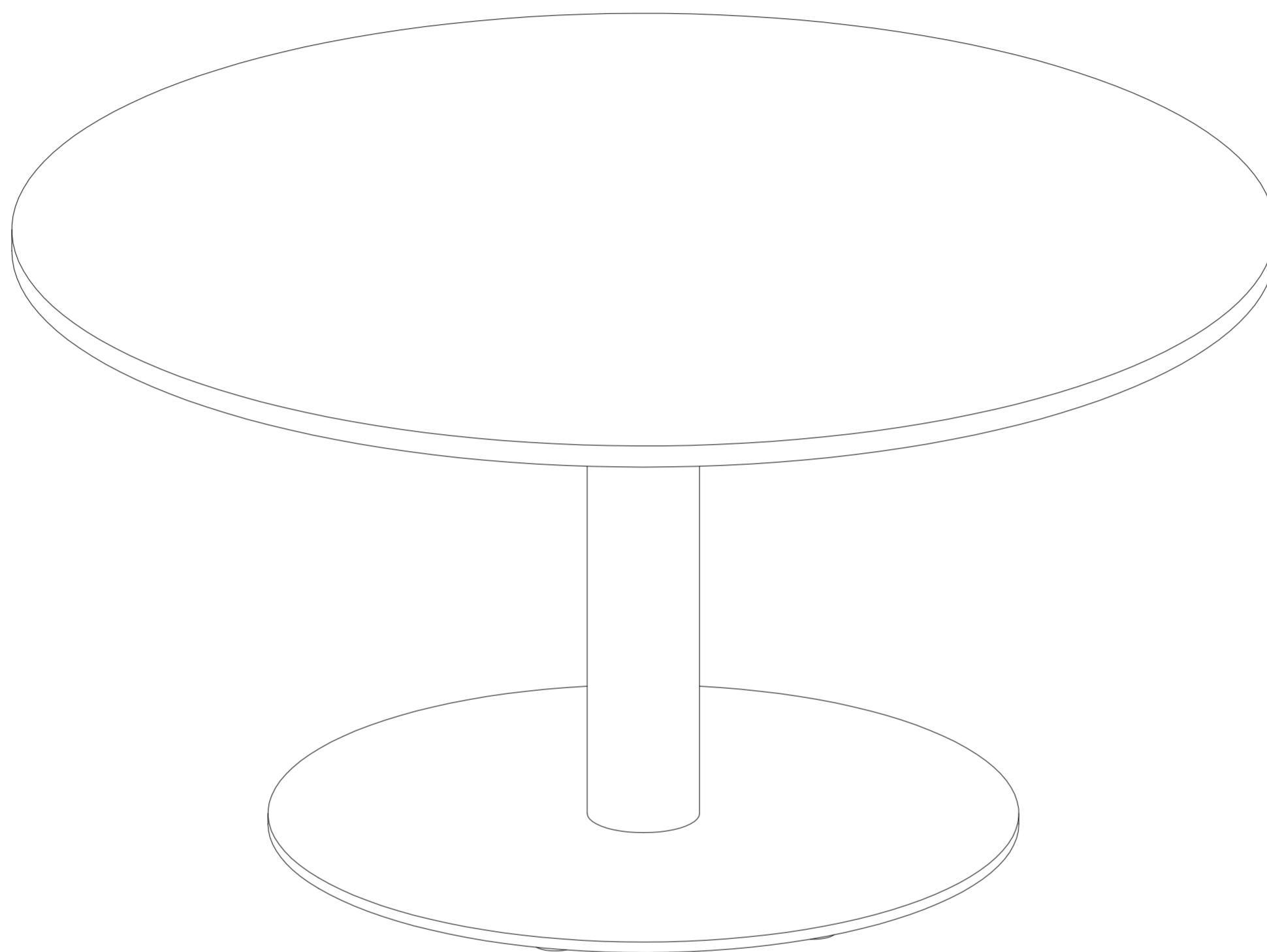
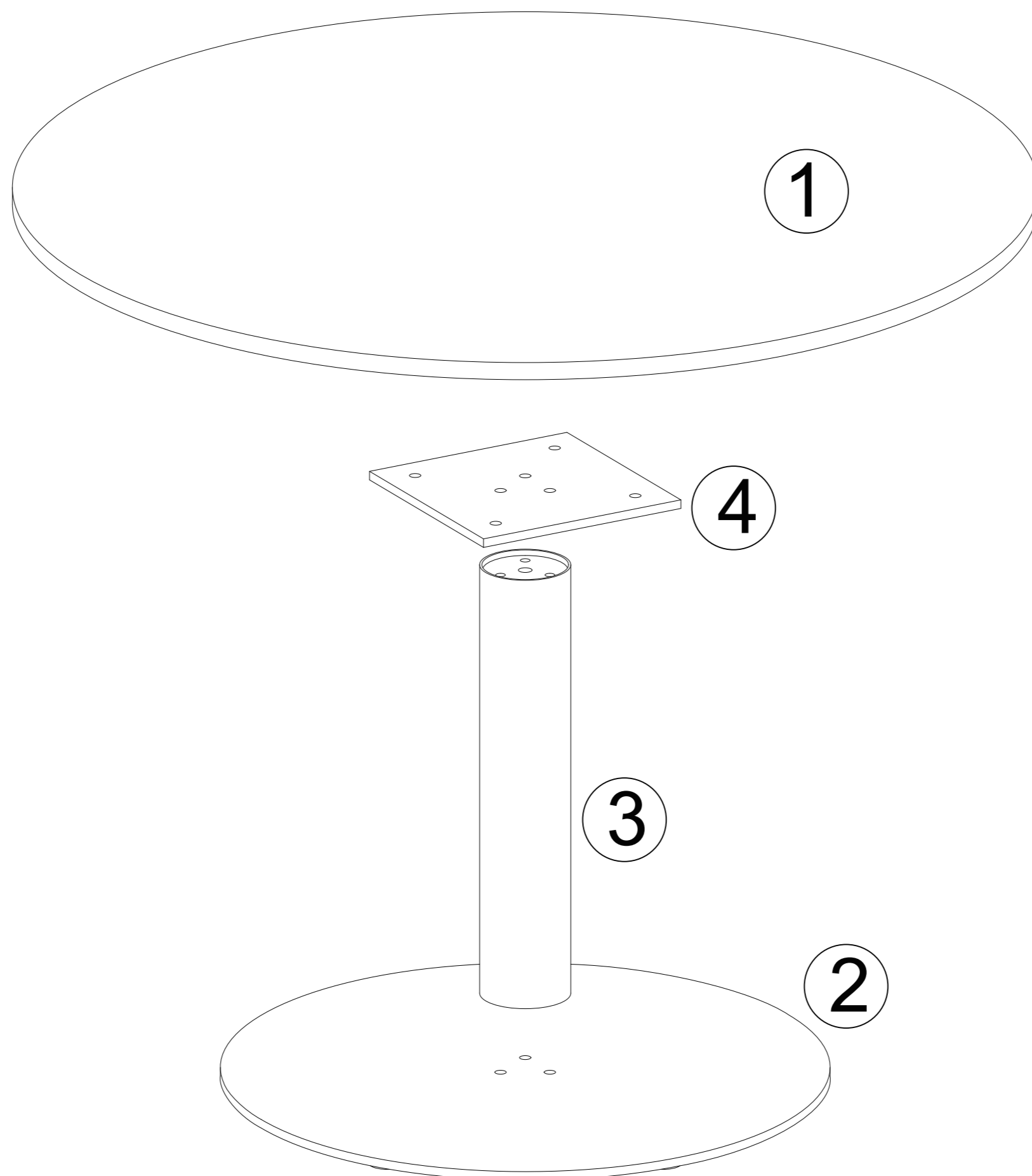
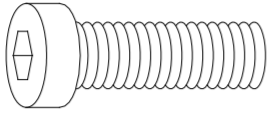
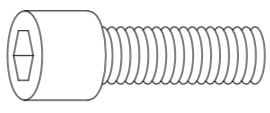
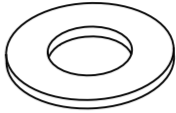
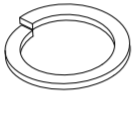
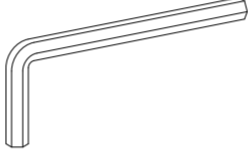




CORB Y-coffee table

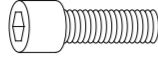

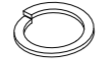



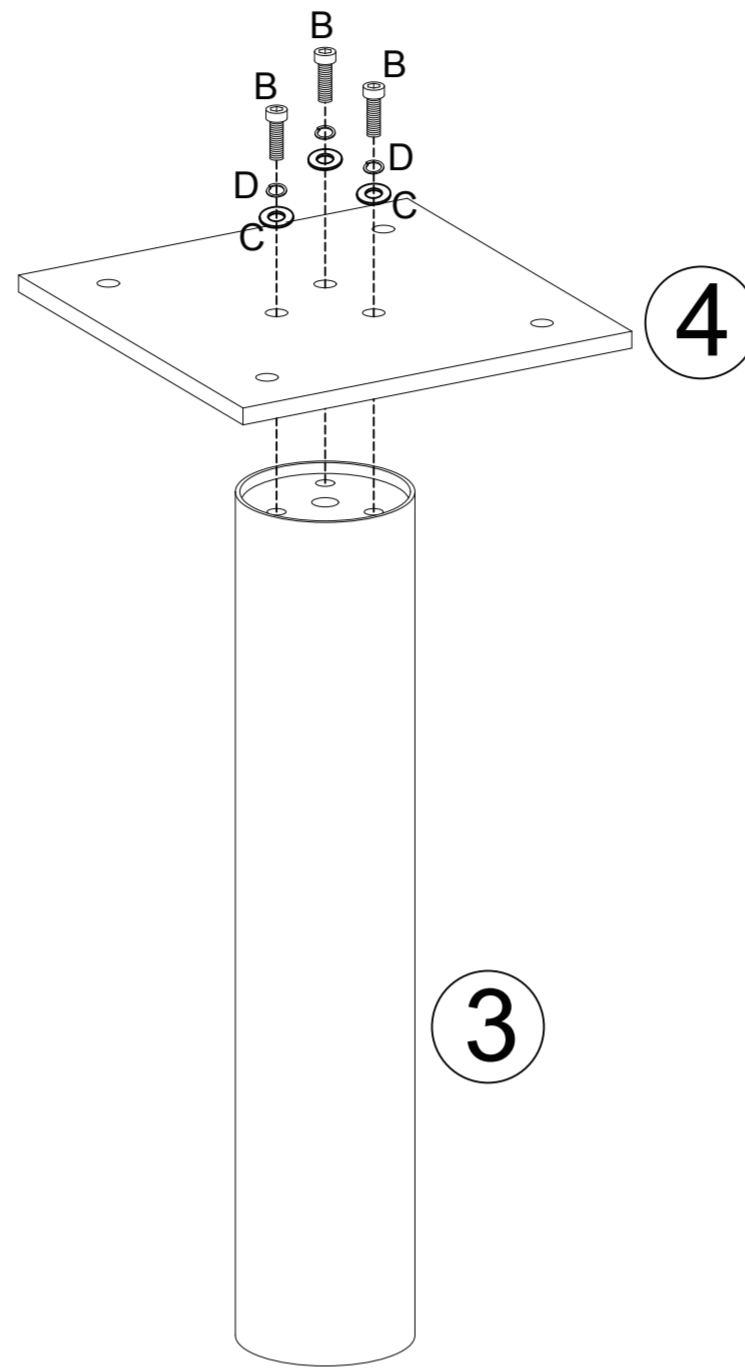
			✓
①	1	Ø800 x 31	
②	1	Ø535 x 8	
③	1	Ø80 x 400	
④	1	200 x 200 x 8	



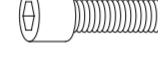



<p>A x 3</p>  <p>M8 x 25</p>	<p>B x 7</p>  <p>M8 x 25</p>	<p>C x 7</p>  <p>Ø16 x 2.0</p>
<p>D x 7</p>  <p>Ø13 x 2.0</p>	<p>E x 1</p>  <p>6MM</p>	<p>F x 1</p>  <p>5MM</p>
<p>G x 6</p>  <p>Ø32 x 5</p>		

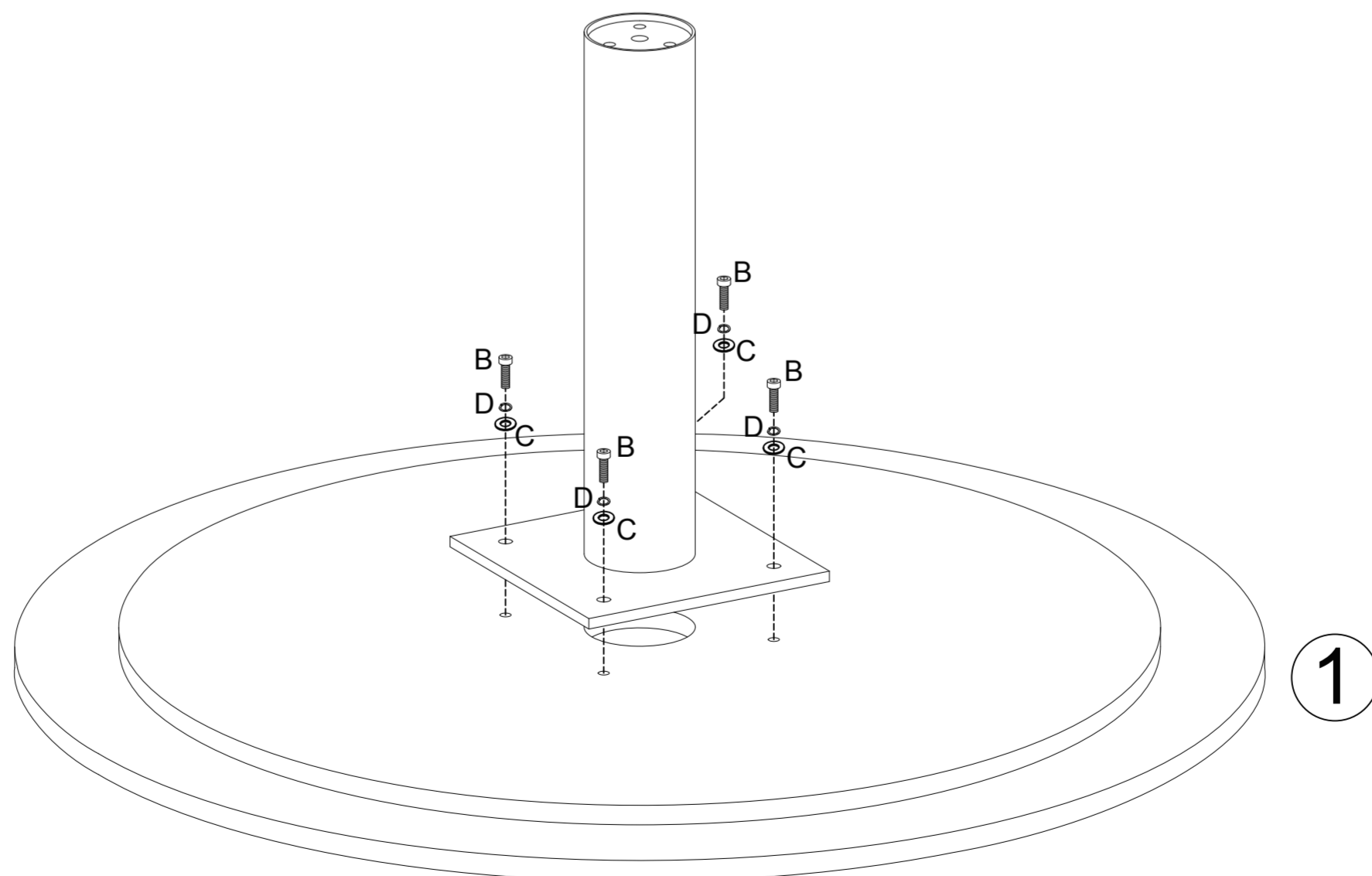
1

B x 3  M8 x 25	C x 3  Ø16 x 2.0	D x 3  Ø13 x 2.0	E x 1  6MM
---	---	--	---

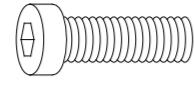
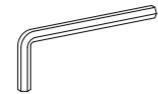



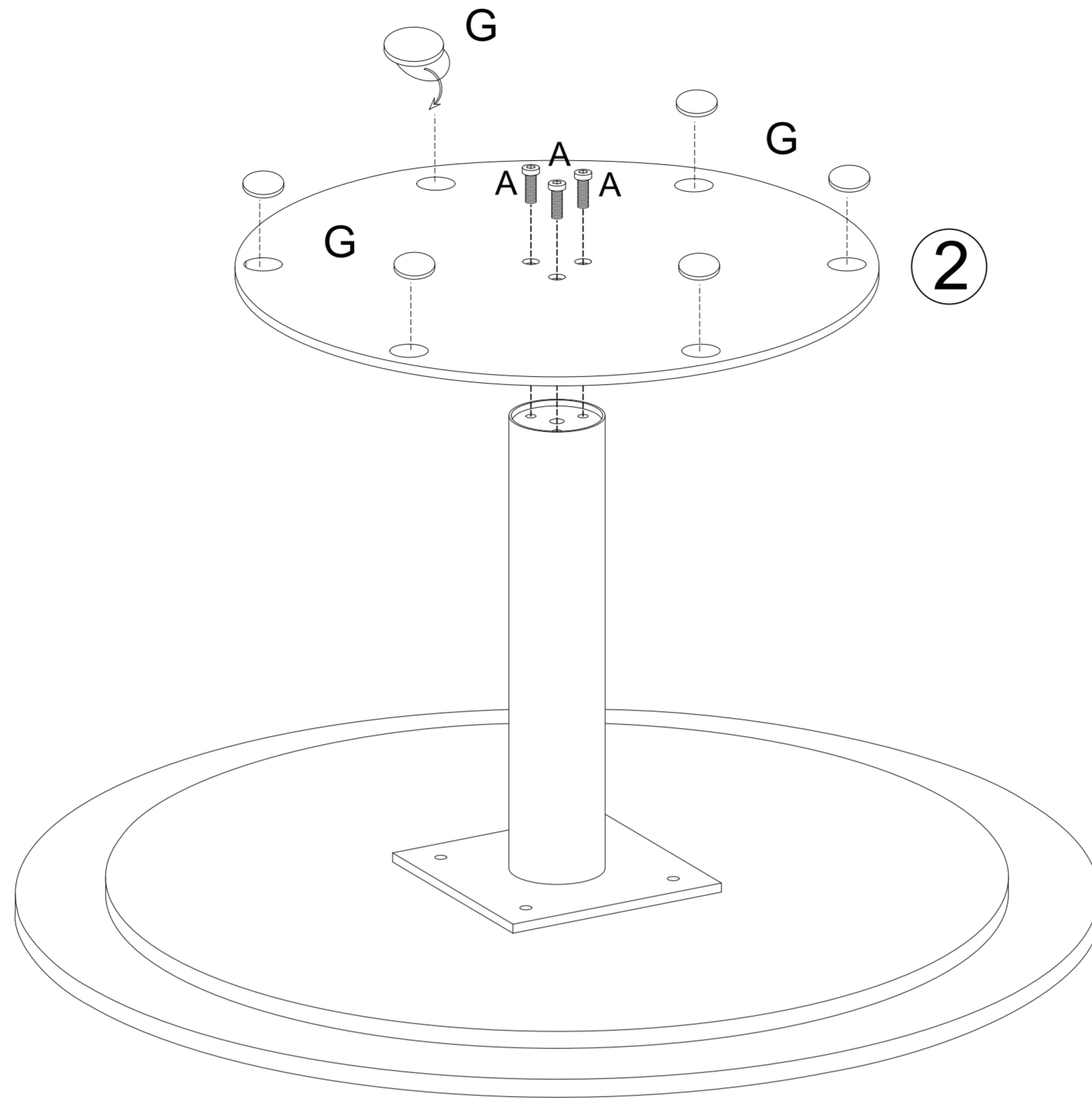
2

B x 4  M8 x 25	C x 4  Ø16 x 2.0	D x 4  Ø13 x 2.0	E x 1  6MM
---	---	--	---



3

A x 3  M8 x 25	F x 1  5MM	G x 6  Ø32 x 5
---	---	--



4

