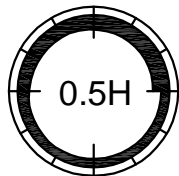
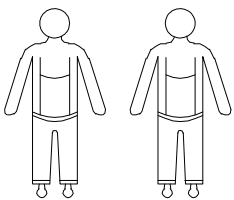
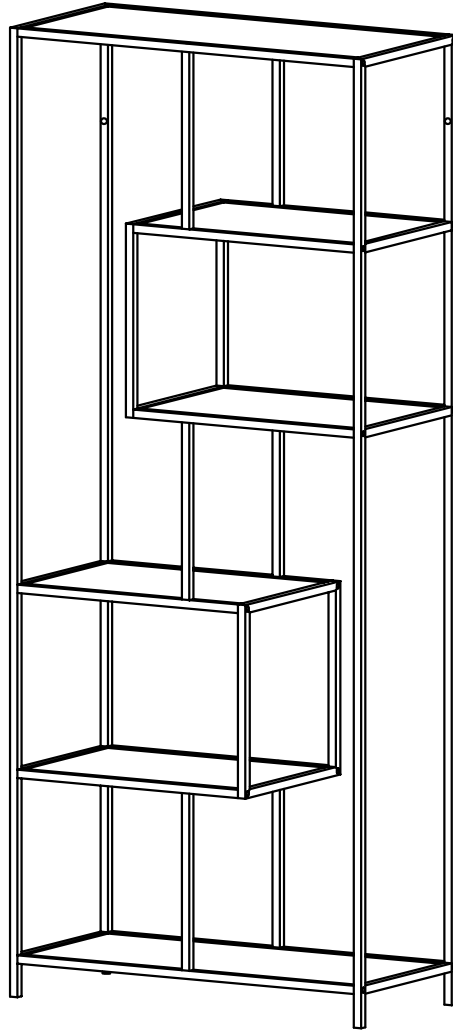
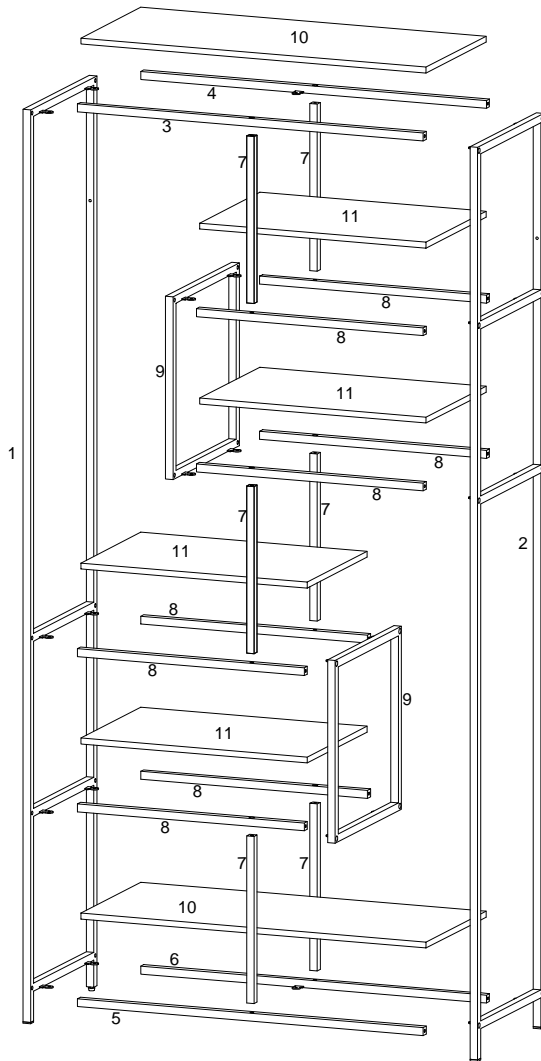
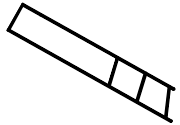
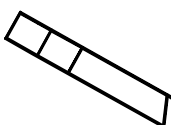






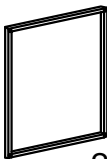



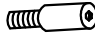
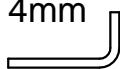
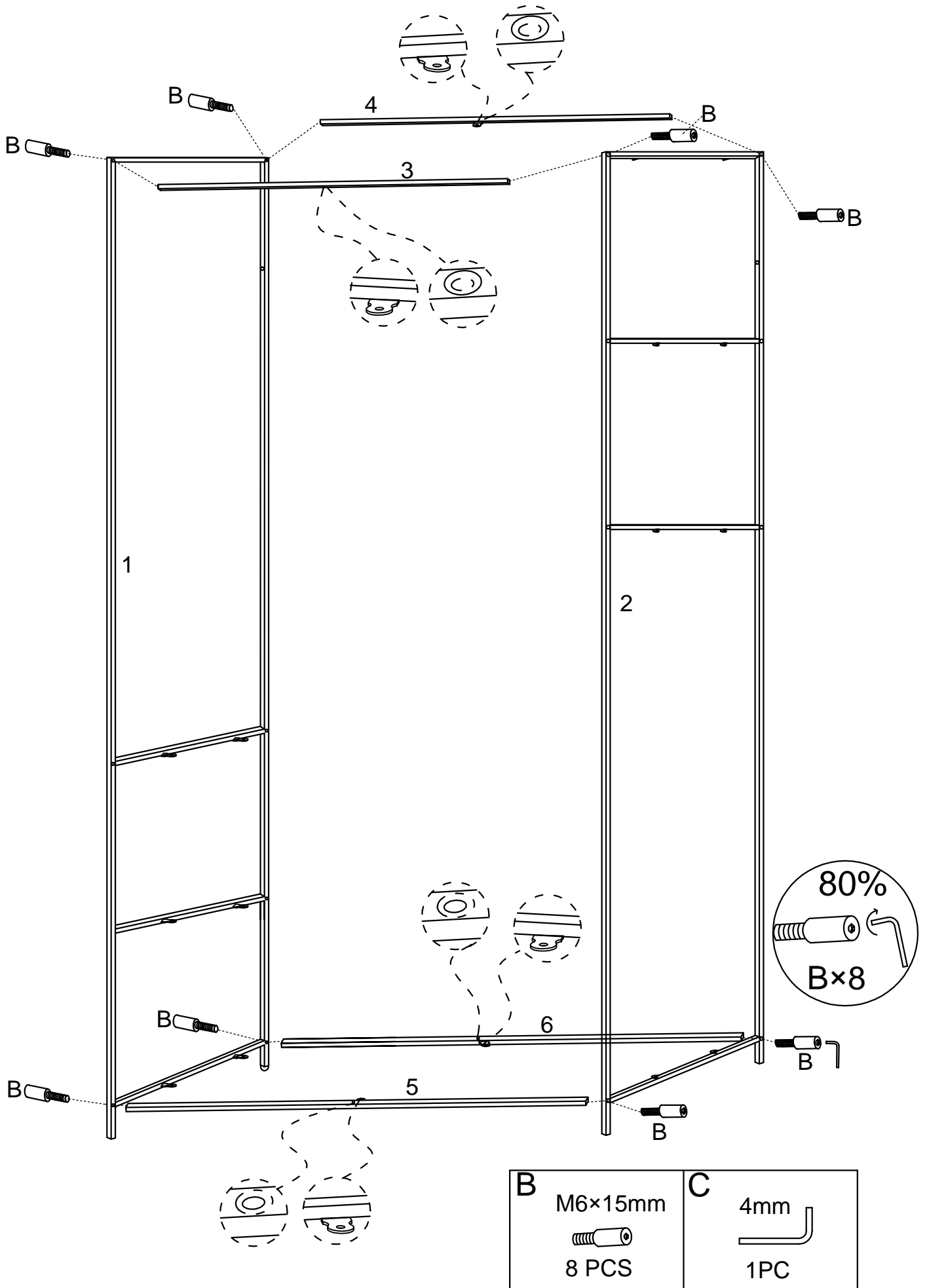


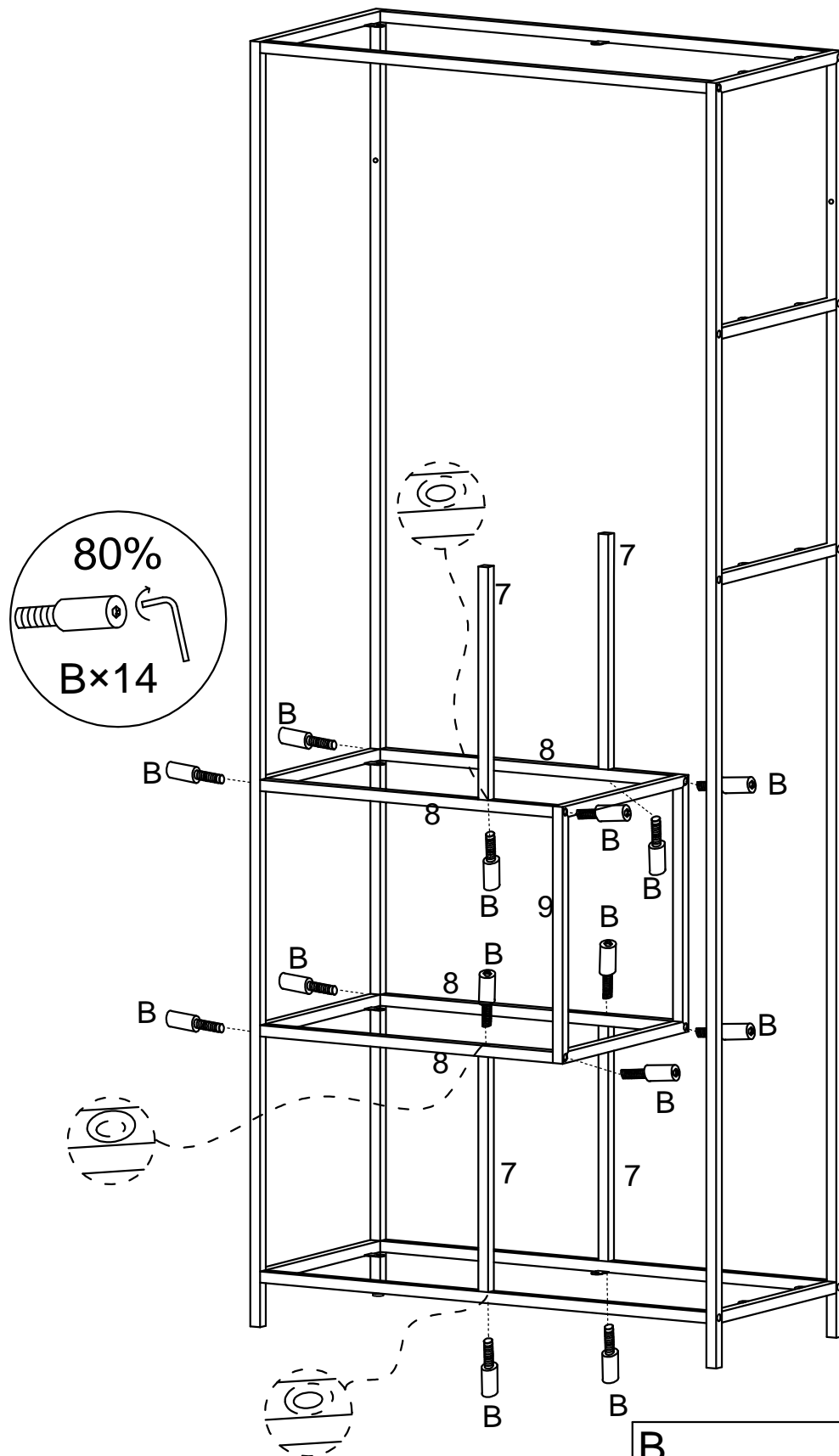
# Seaford


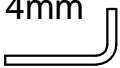


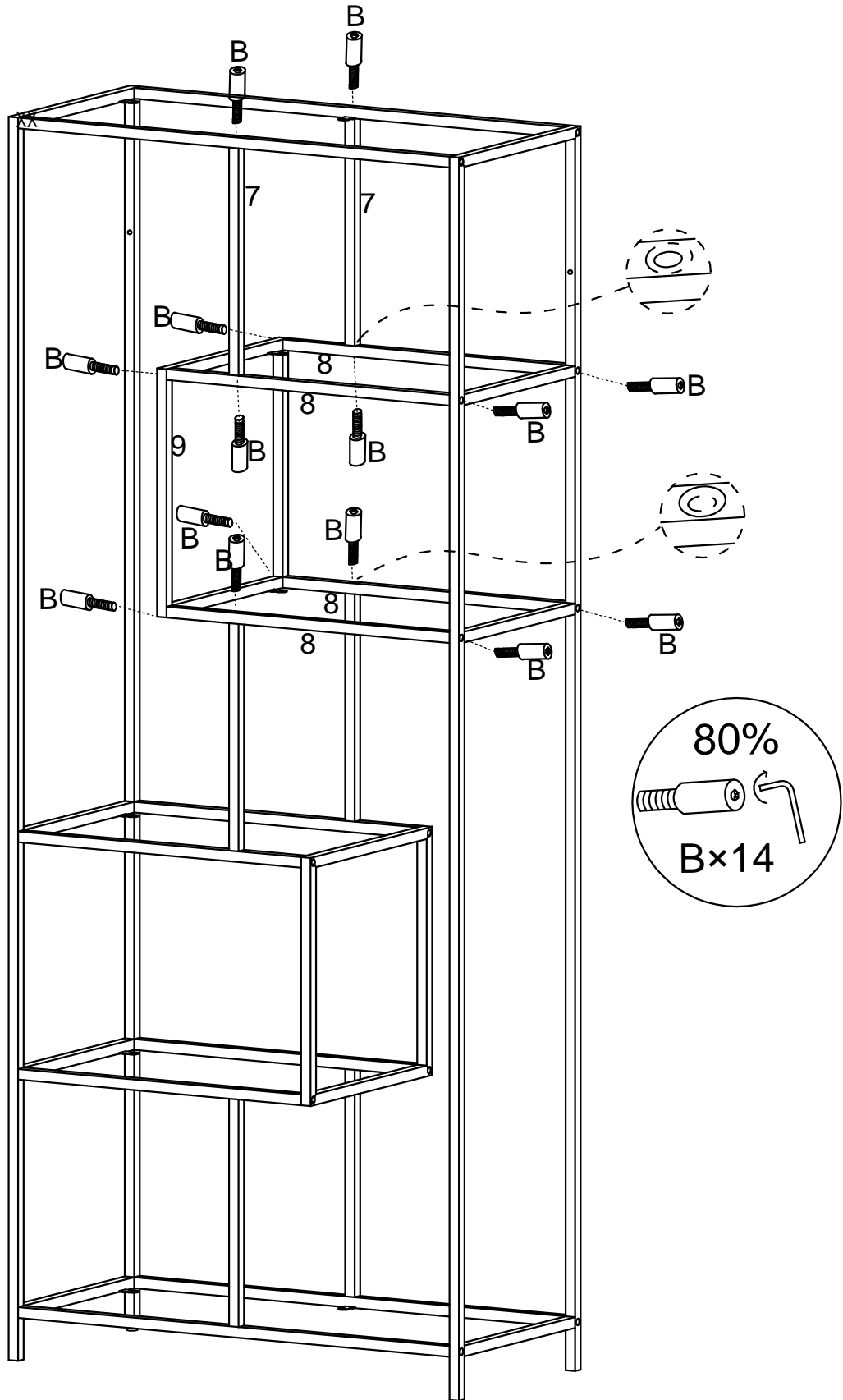



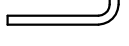
1  1PC	2  1PC	3  1PC	4  1PC	5  1PC
6  1PC	7  6PCS	8  8PCS	9  2PCS	10  2PCS
11  4PCS	A M4×12mm  28PCS	B M6×15mm  36PCS	C 4mm  1PC	

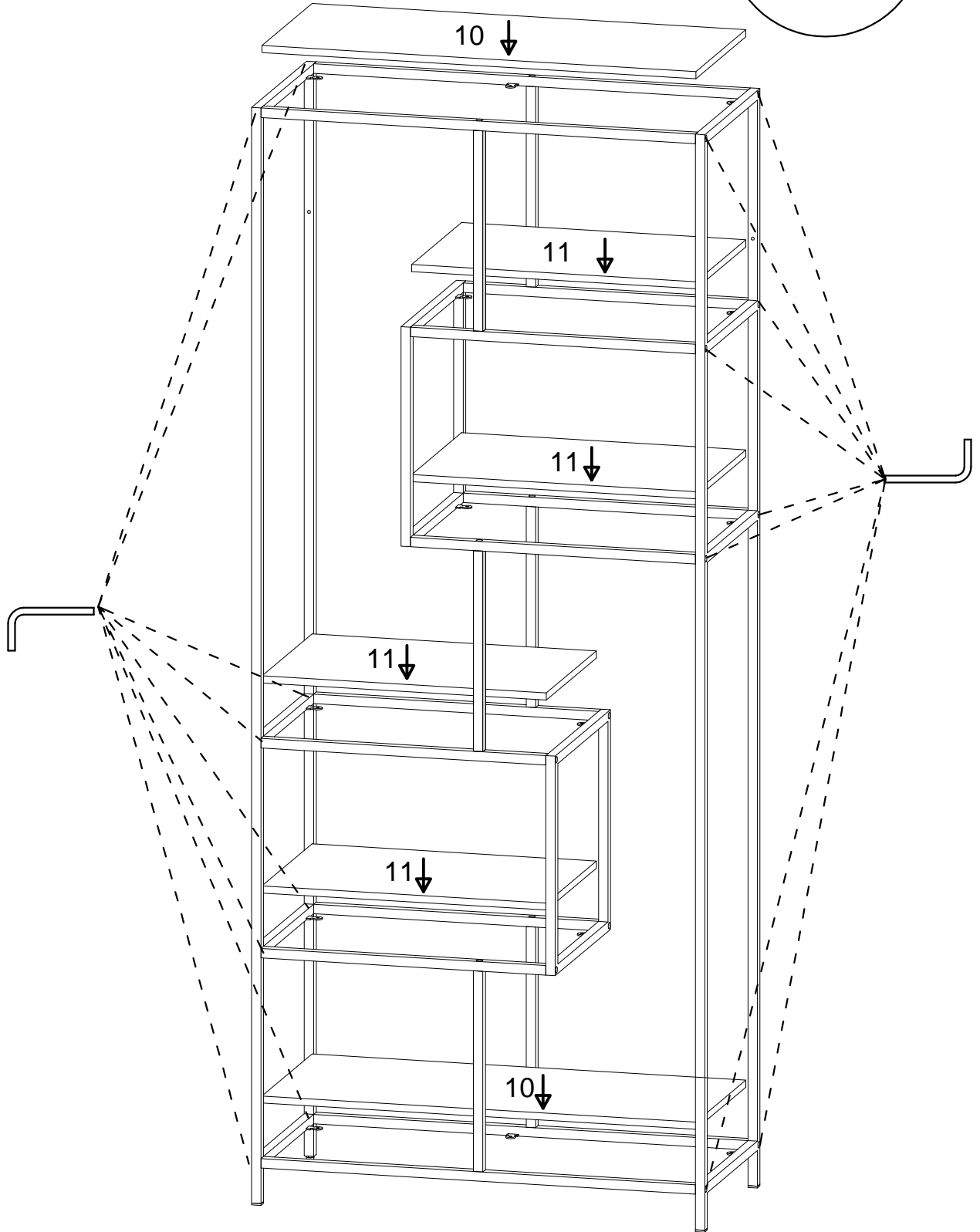
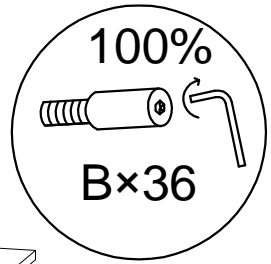




<b>B</b> M6×15mm  14 PCS	<b>C</b> 4mm  1PC
--	---



<p><b>B</b> M6×15mm</p>  <p>14 PCS</p>	<p><b>C</b> 4mm</p>  <p>1PC</p>
---	--



! XX=YY

