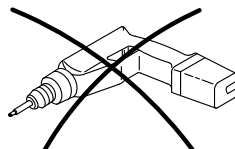
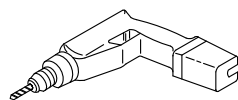
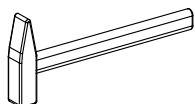
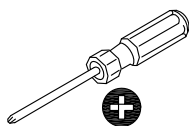
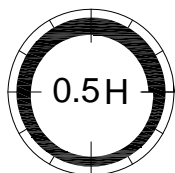
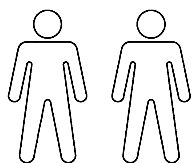
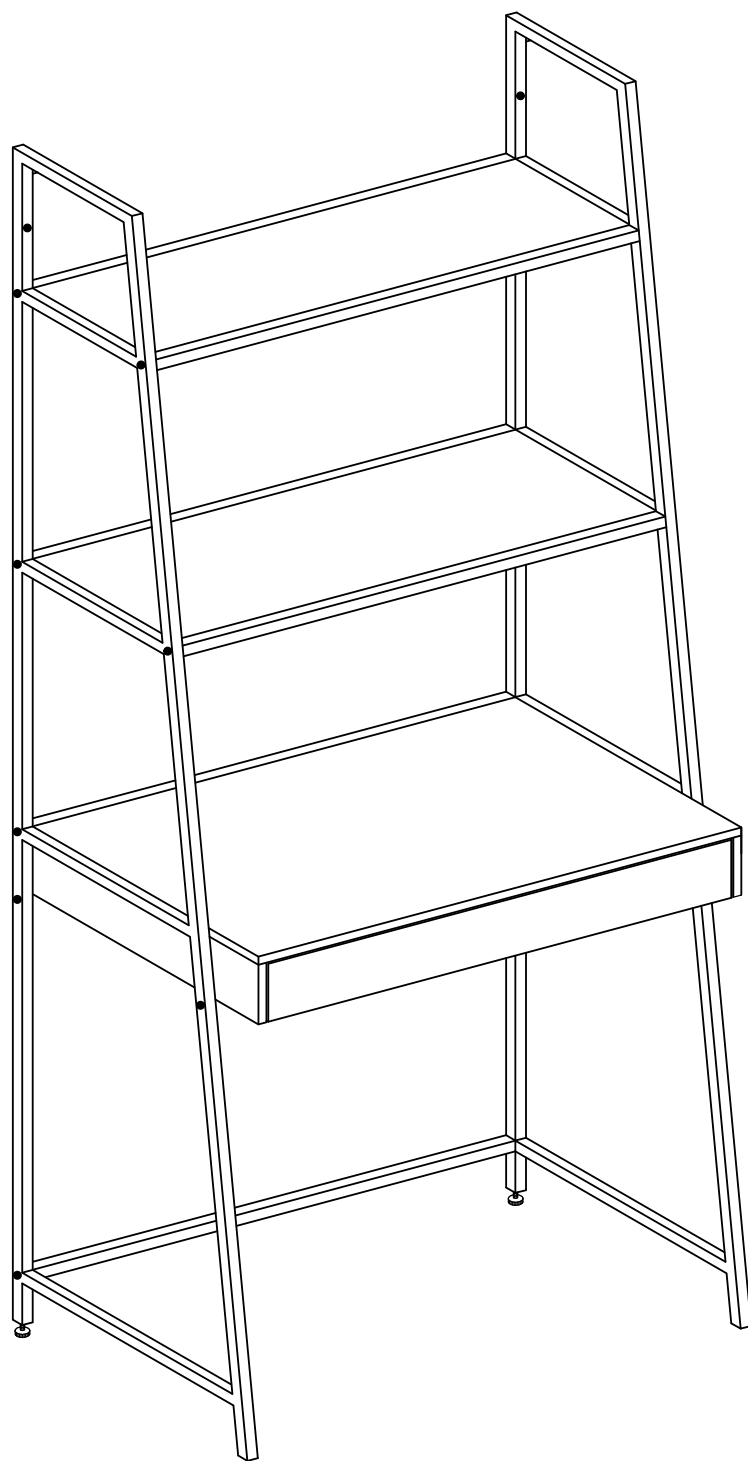
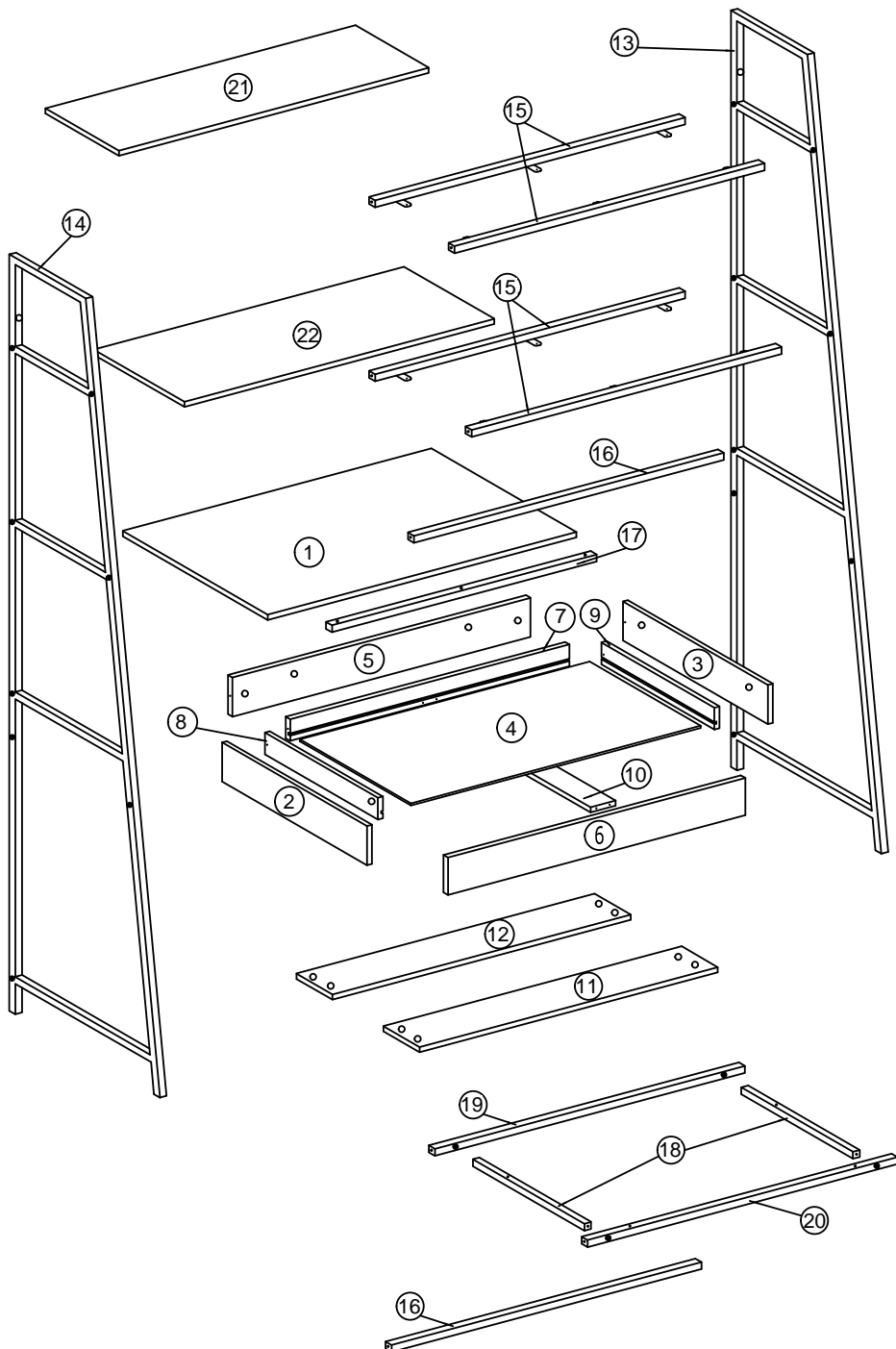


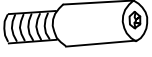

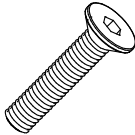

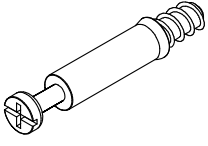
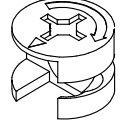
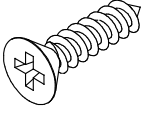
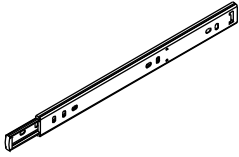
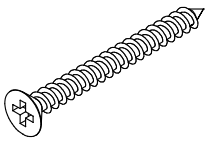
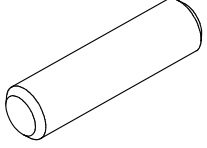
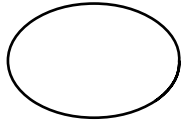
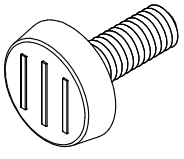
SEAFORD



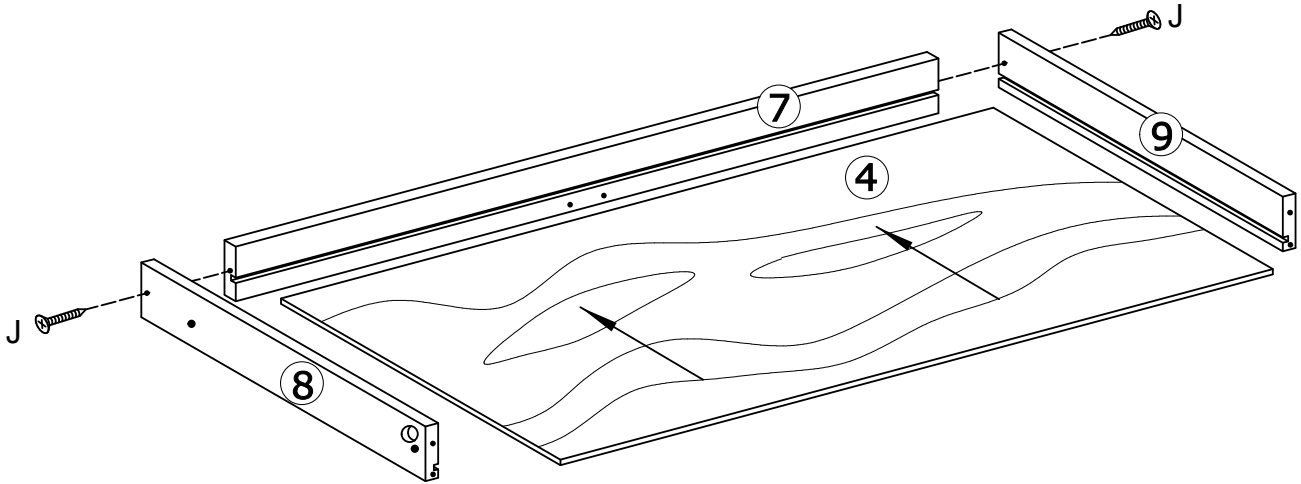
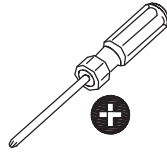
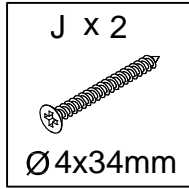
			✓
①	1	737x344x12	
②	1	344x88x12	
③	1	344x88x12	
④	1	676x296x3	
⑤	1	712x88x12	
⑥	1	710x86x12	
⑦	1	668x50x12	
⑧	1	300x50x12	
⑨	1	300x50x12	
⑩	1	287x60x12	
⑪	1	712x60x12	

			✓
⑫	1	712x90x12	
⑬	1	1745x360x16	
⑭	1	1745x360x16	
⑮	4	738x35x16	
⑯	2	738x16x16	
⑰	1	637x16x16	
⑱	2	267x16x16	
⑲	1	738x16x16	
⑳	1	738x16x16	
㉑	1	737x186x12	
㉒	1	737x219x12	

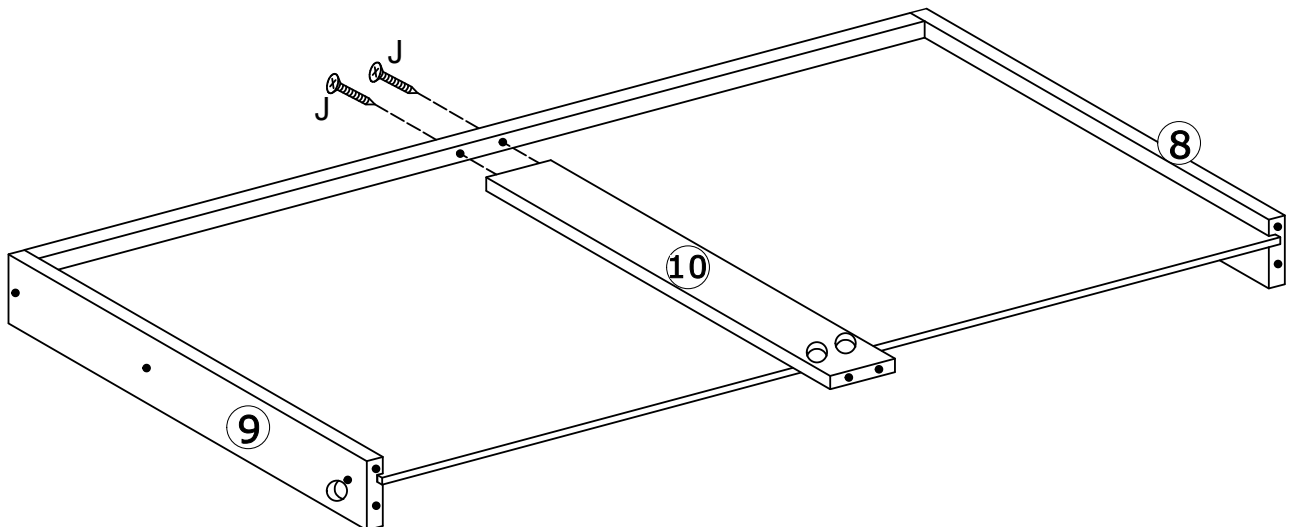
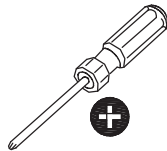
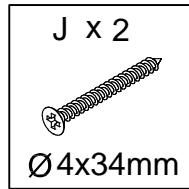


<p>A x 20</p>  <p>M6x15mm</p>	<p>B x 12</p>  <p>Ø4x12mm</p>	<p>C x 7</p>  <p>M6x25mm</p>	<p>D x 1</p>  <p>4mm</p>
<p>Ex 22</p>  <p>Ø6.1x34mm</p>	<p>F x 22</p>  <p>Ø15x10 mm</p>	<p>G x 8</p>  <p>Ø4x12mm</p>	<p>H x 2</p>  <p>290x26x9 mm</p>
<p>J x 4</p>  <p>Ø4x34mm</p>	<p>K x 8</p>  <p>Ø6x30mm</p>	<p>L x 2</p>  <p>Ø20mm</p>	<p>M x 2</p>  <p>M6/Ø15/10 /7 mm</p>

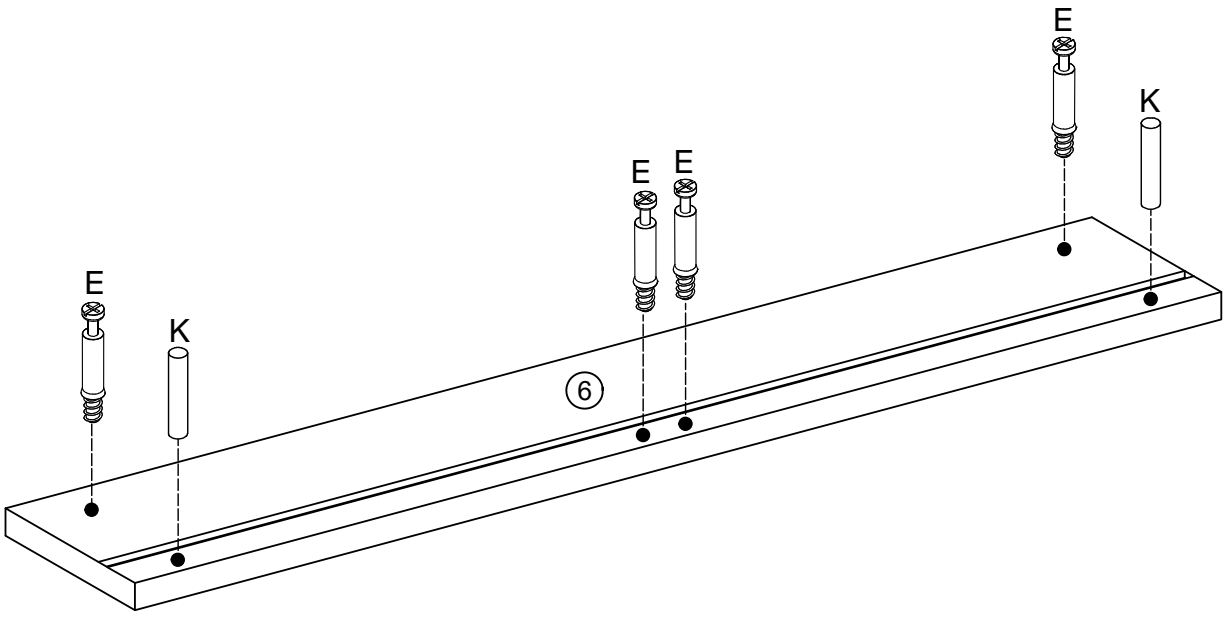
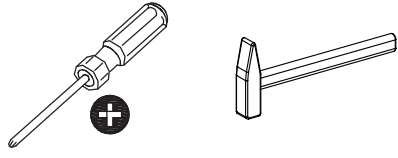
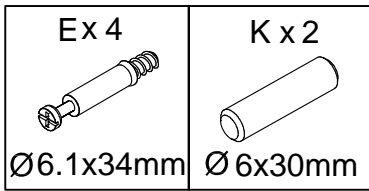
1



2

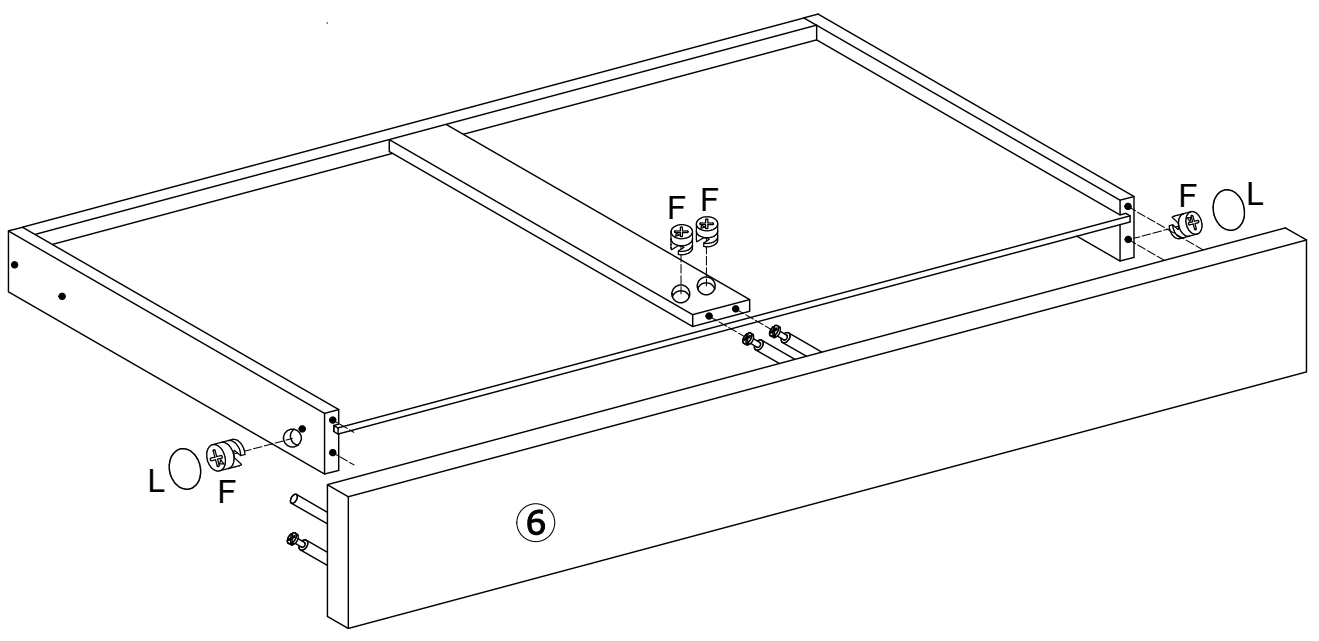
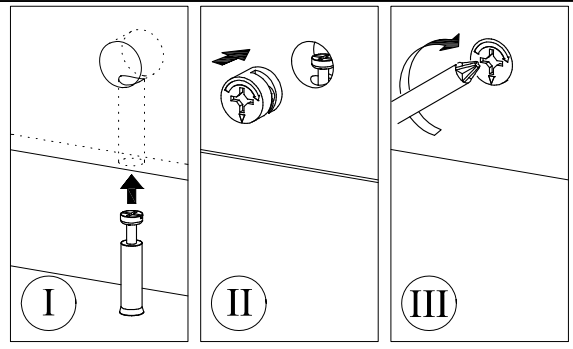
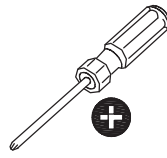
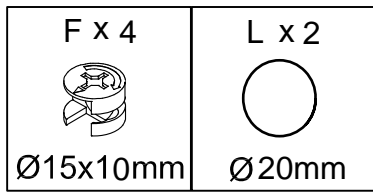


3

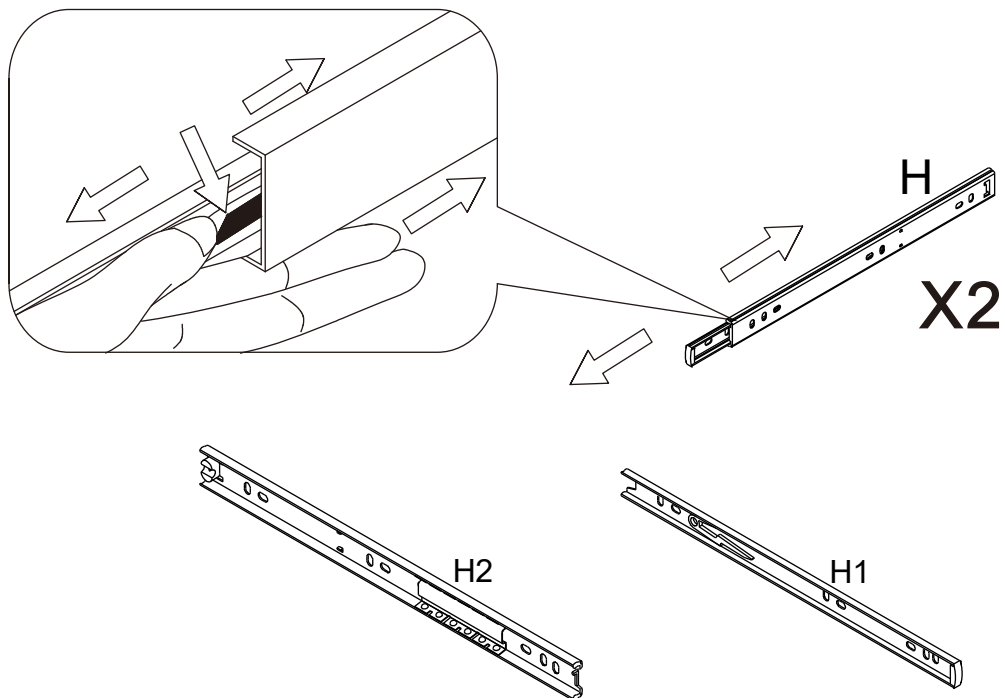
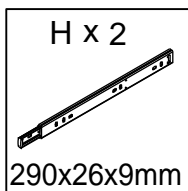


0

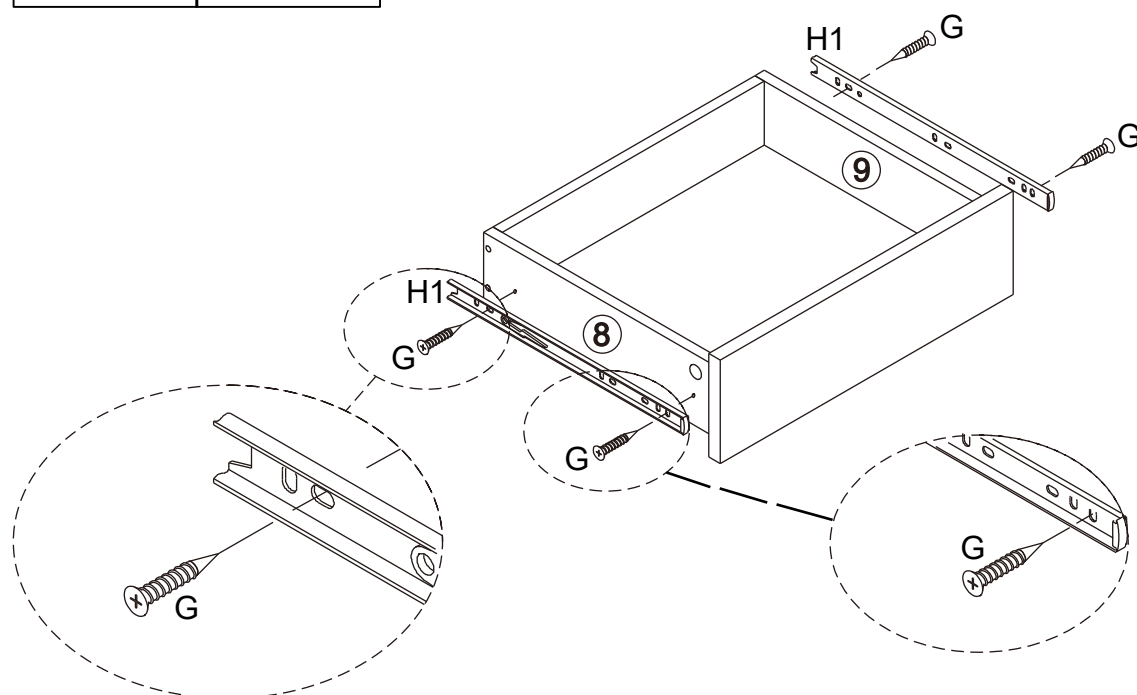
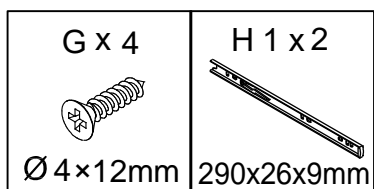
4



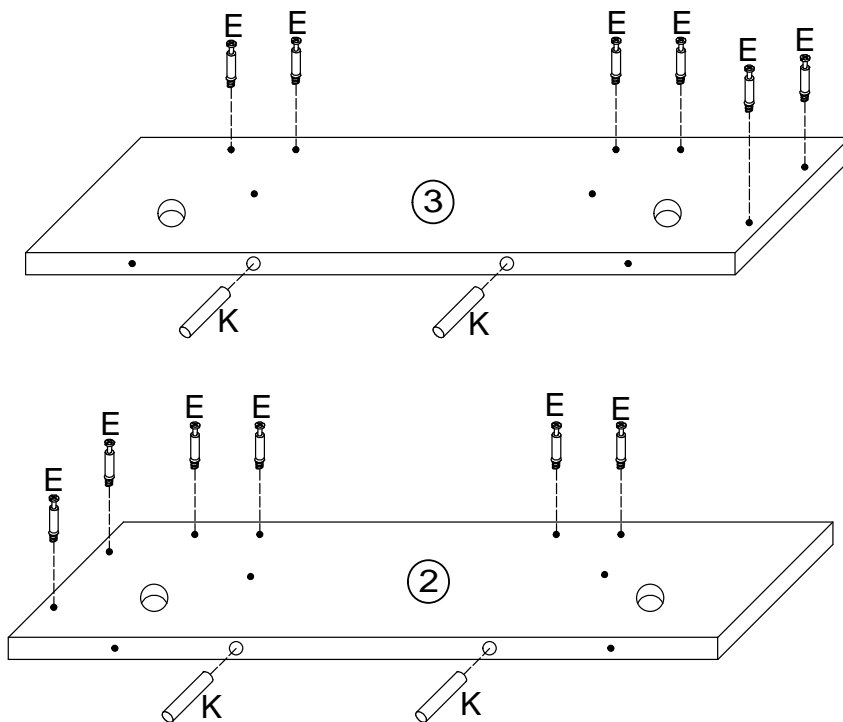
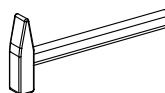
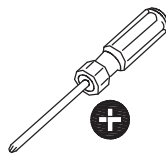
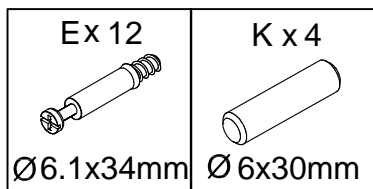
5



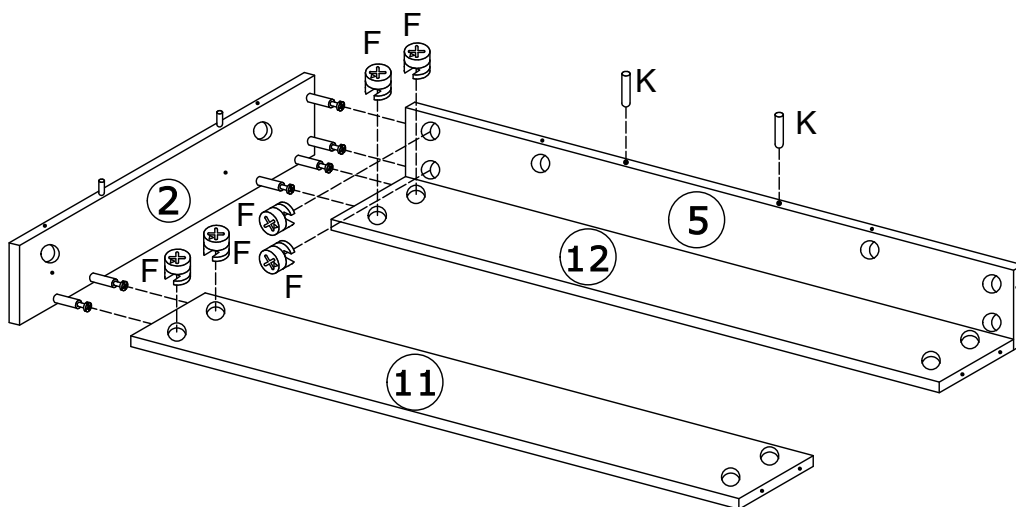
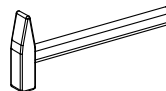
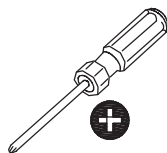
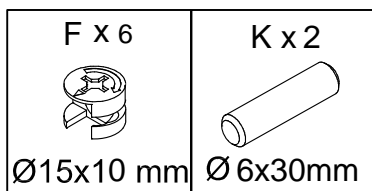
6



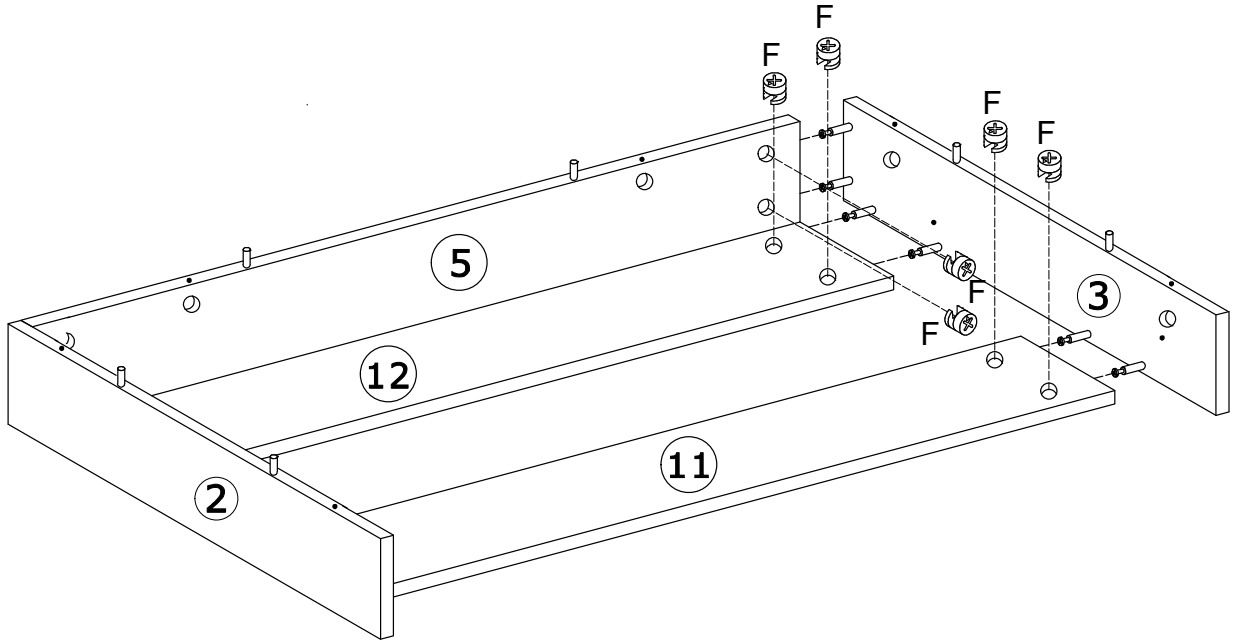
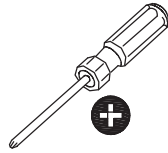
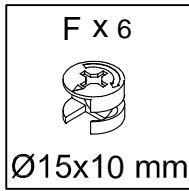
7



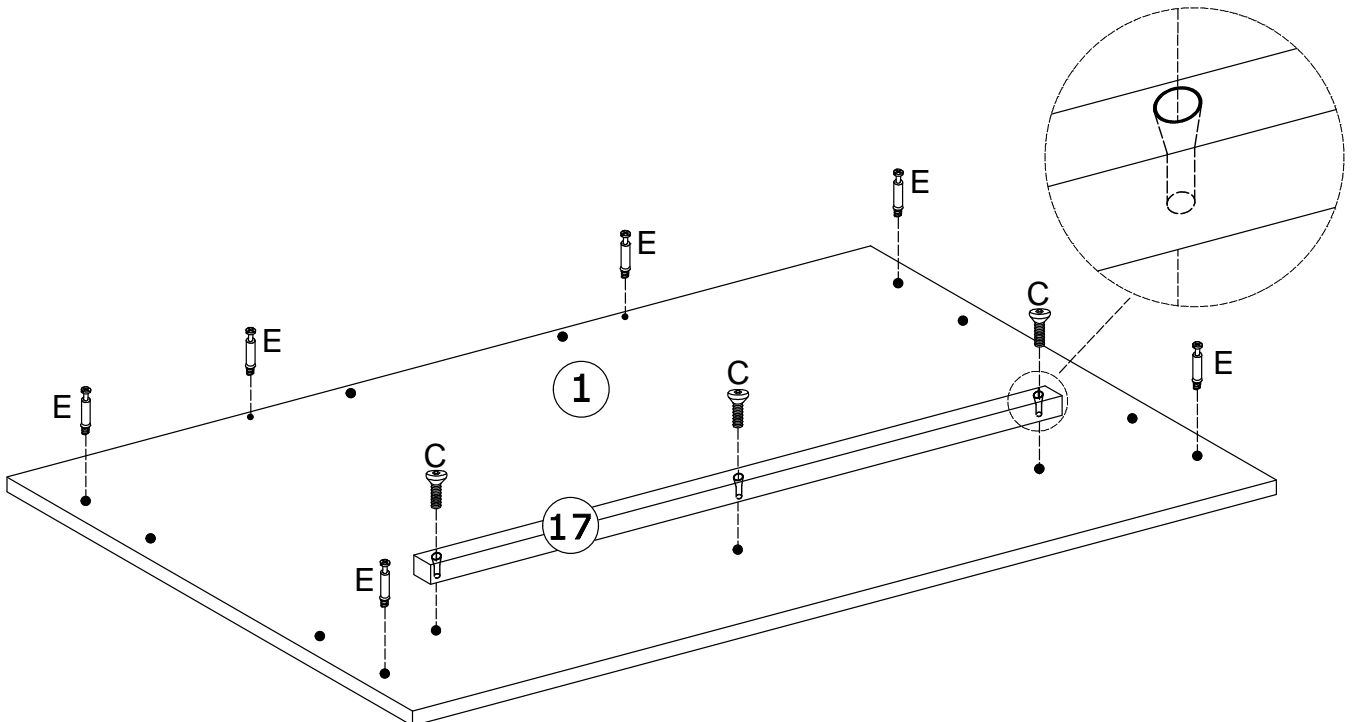
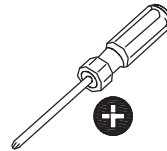
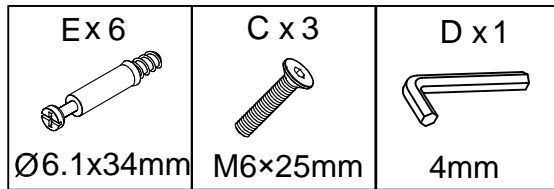
8



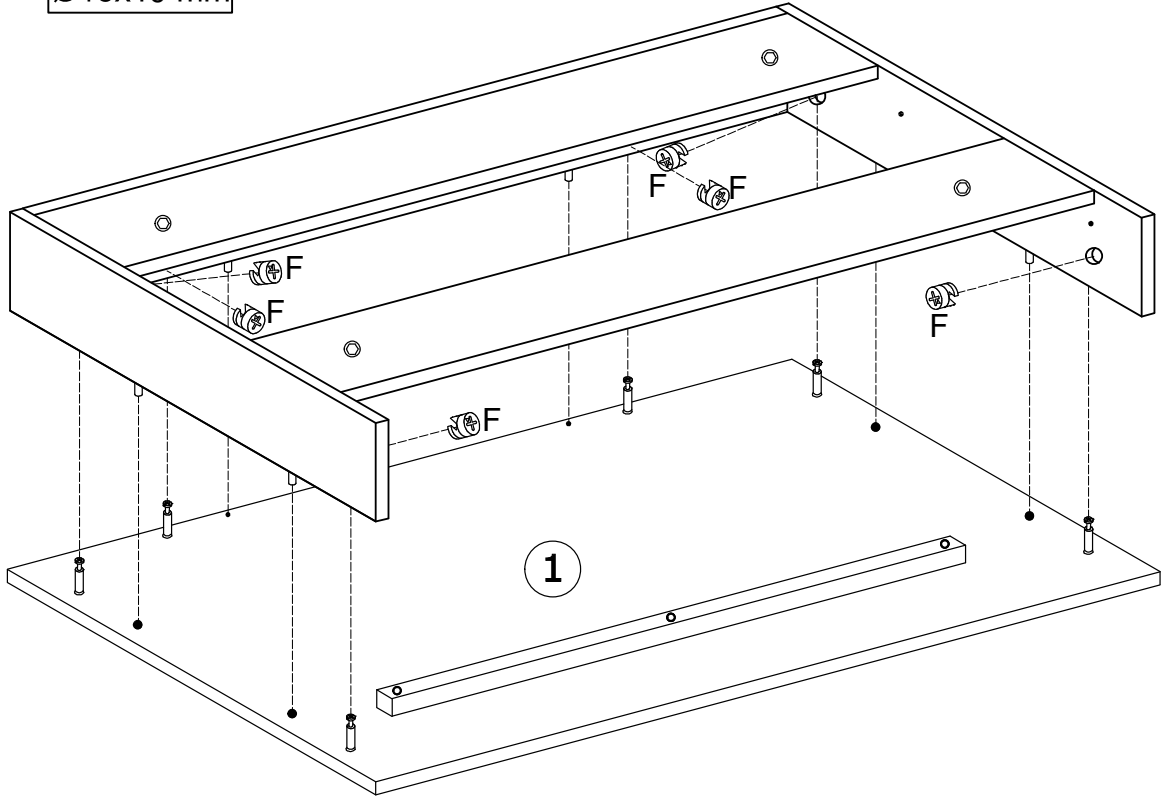
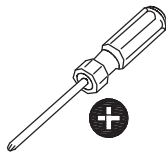
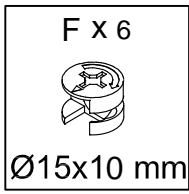
9



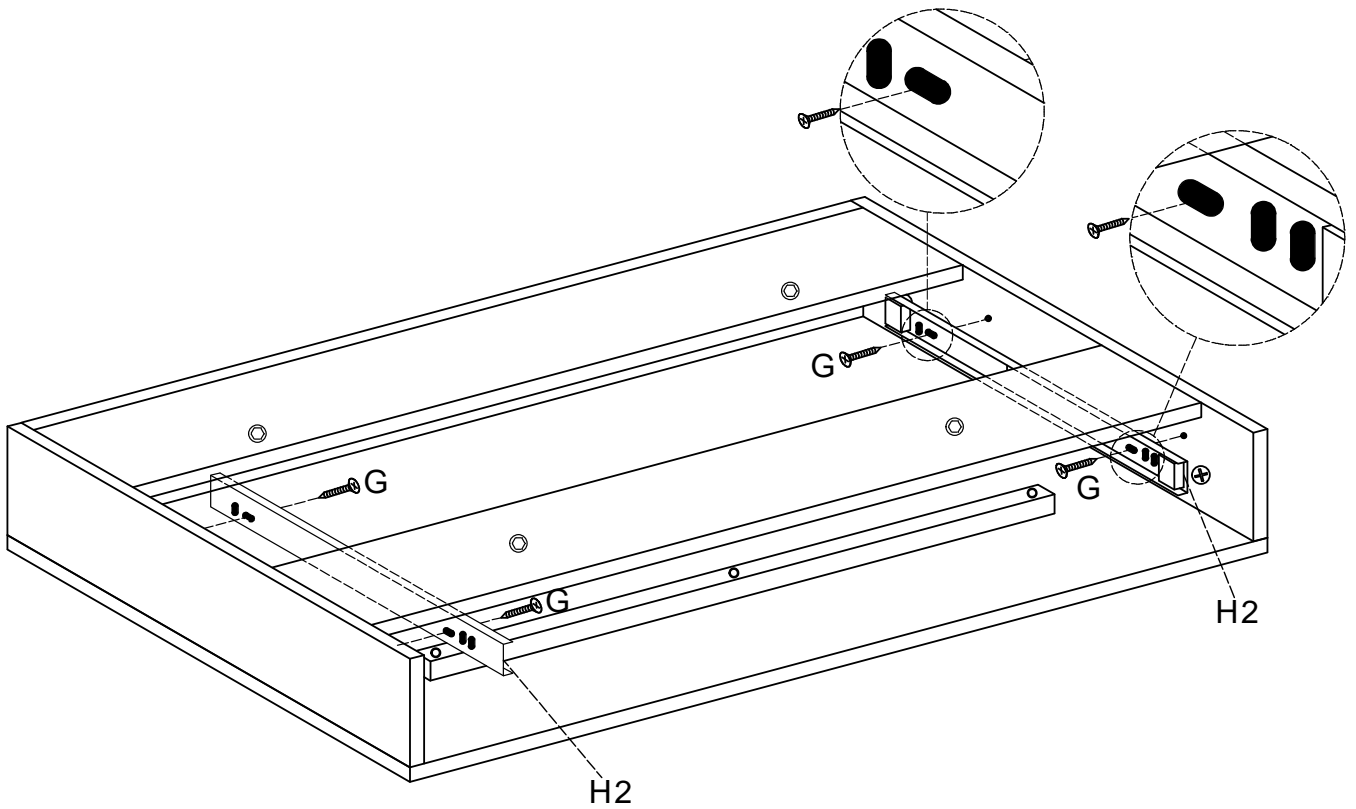
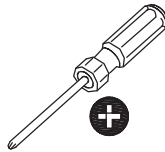
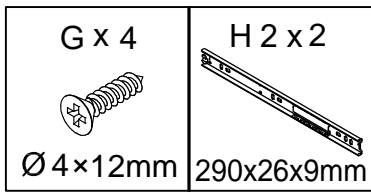
10



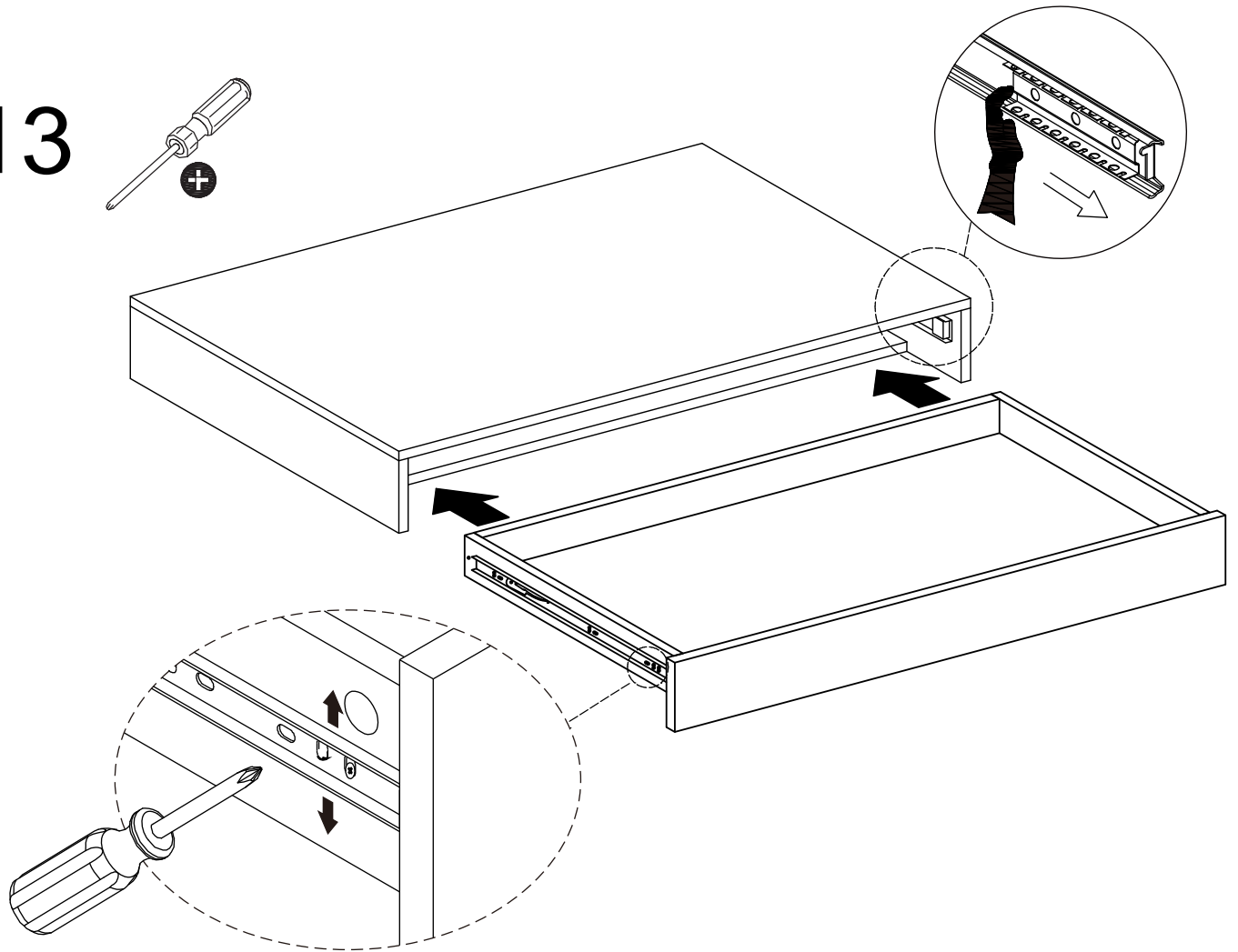
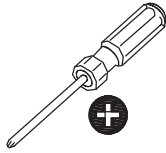
11





12

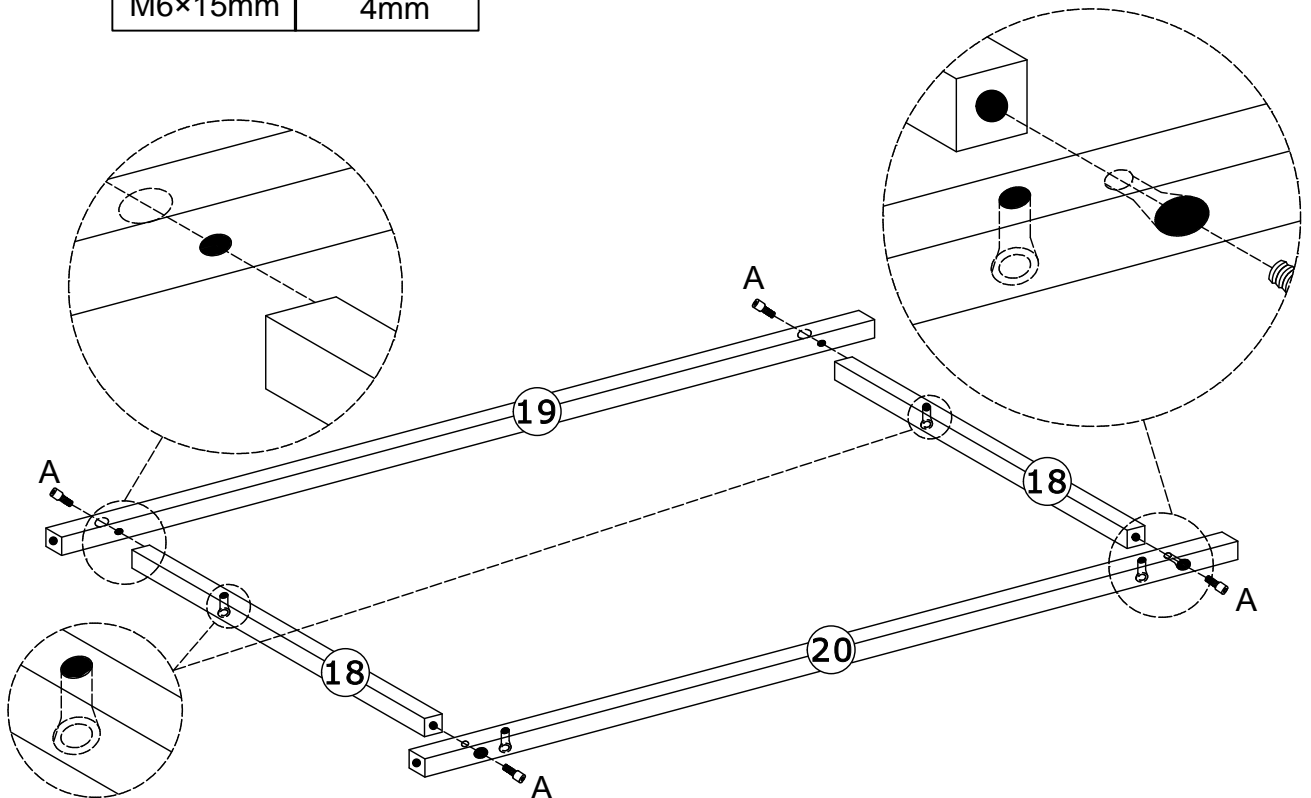


13

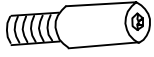
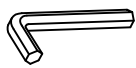
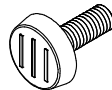


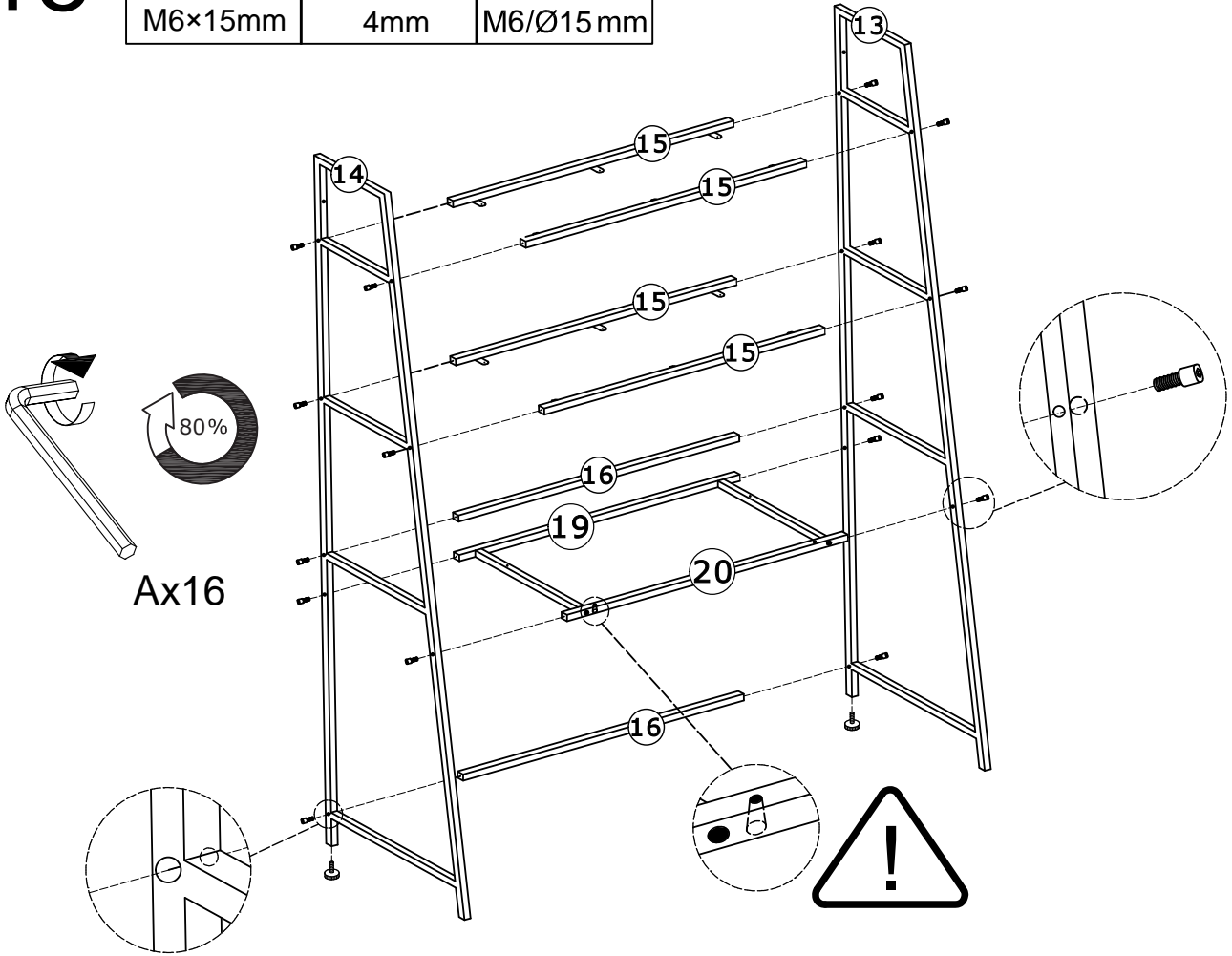
14

A x 4  M6x15mm	D x 1  4mm
---	---





15

A x 16  M6x15mm	D x 1  4mm	M x 2  M6/Ø15mm
--	---	--

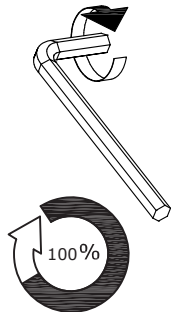


16

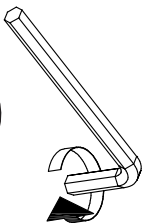
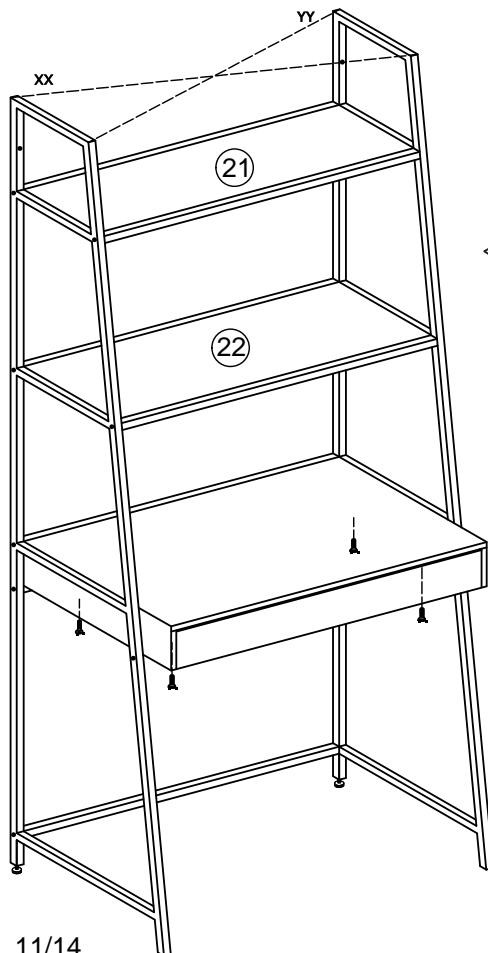
C x 4  M6x25mm	D x 1  4mm
---	---



XX=YY

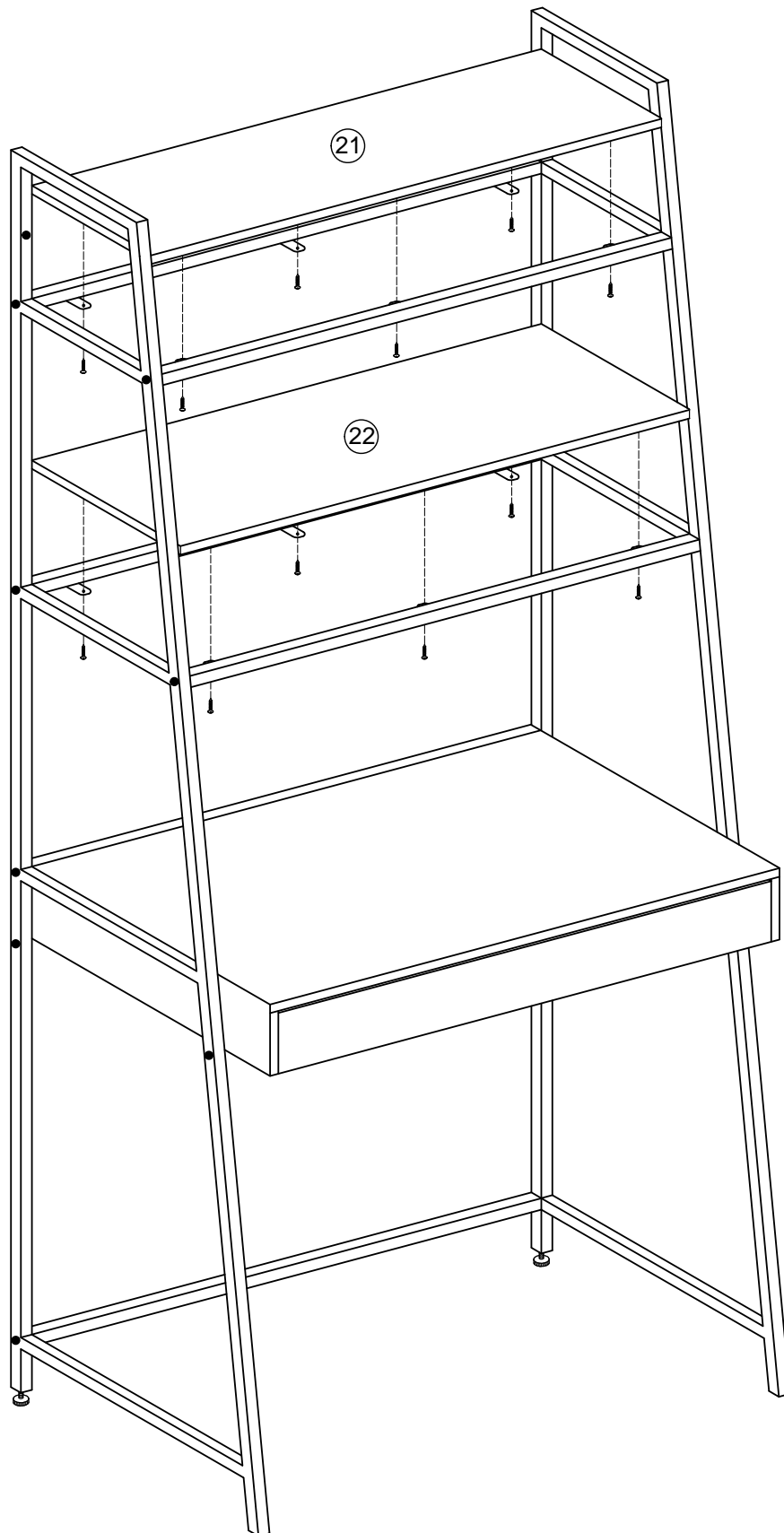
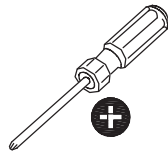


Ax16
Cx4

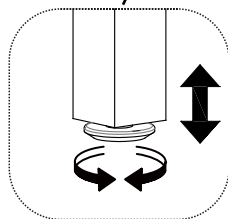
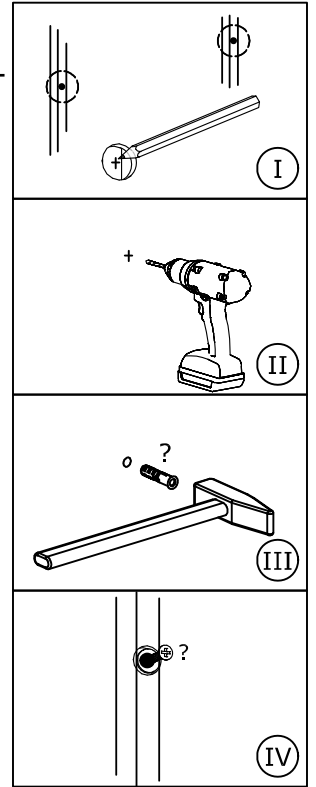
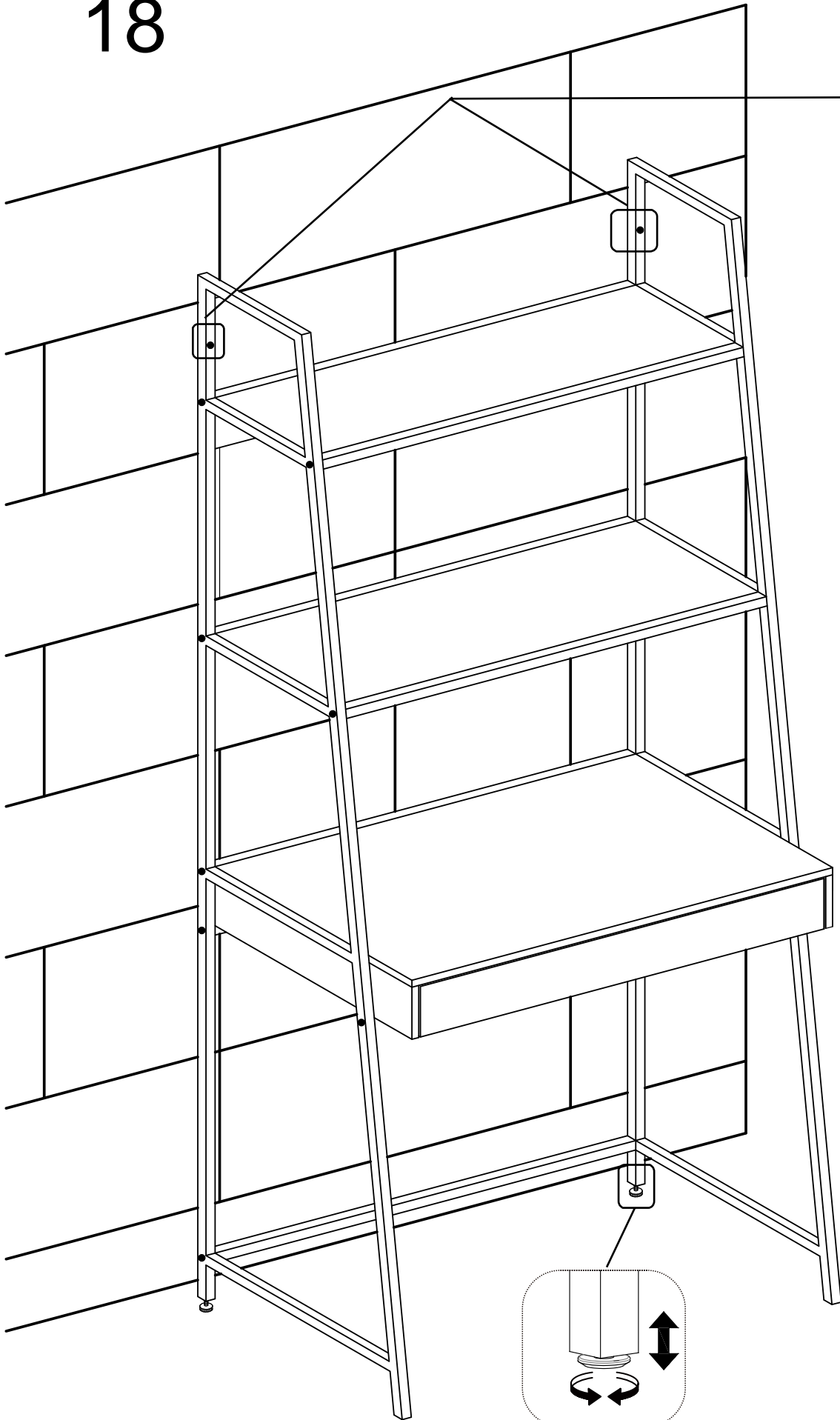


17

B x 12
Ø4x12mm



18



19

