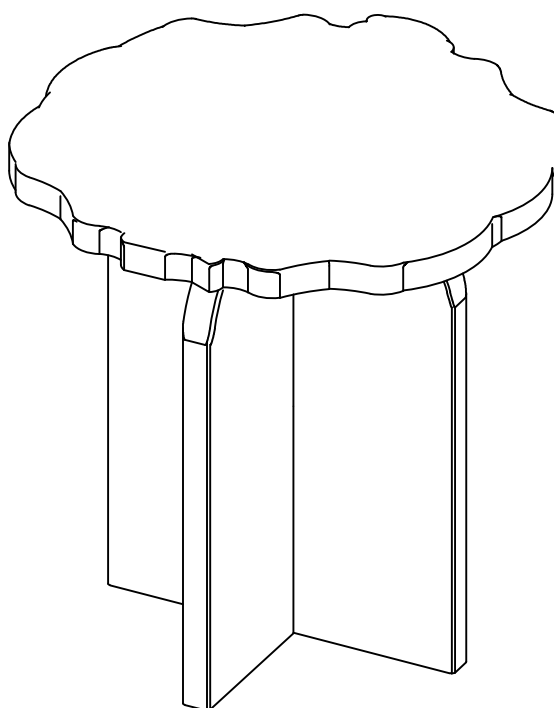
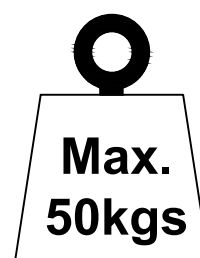
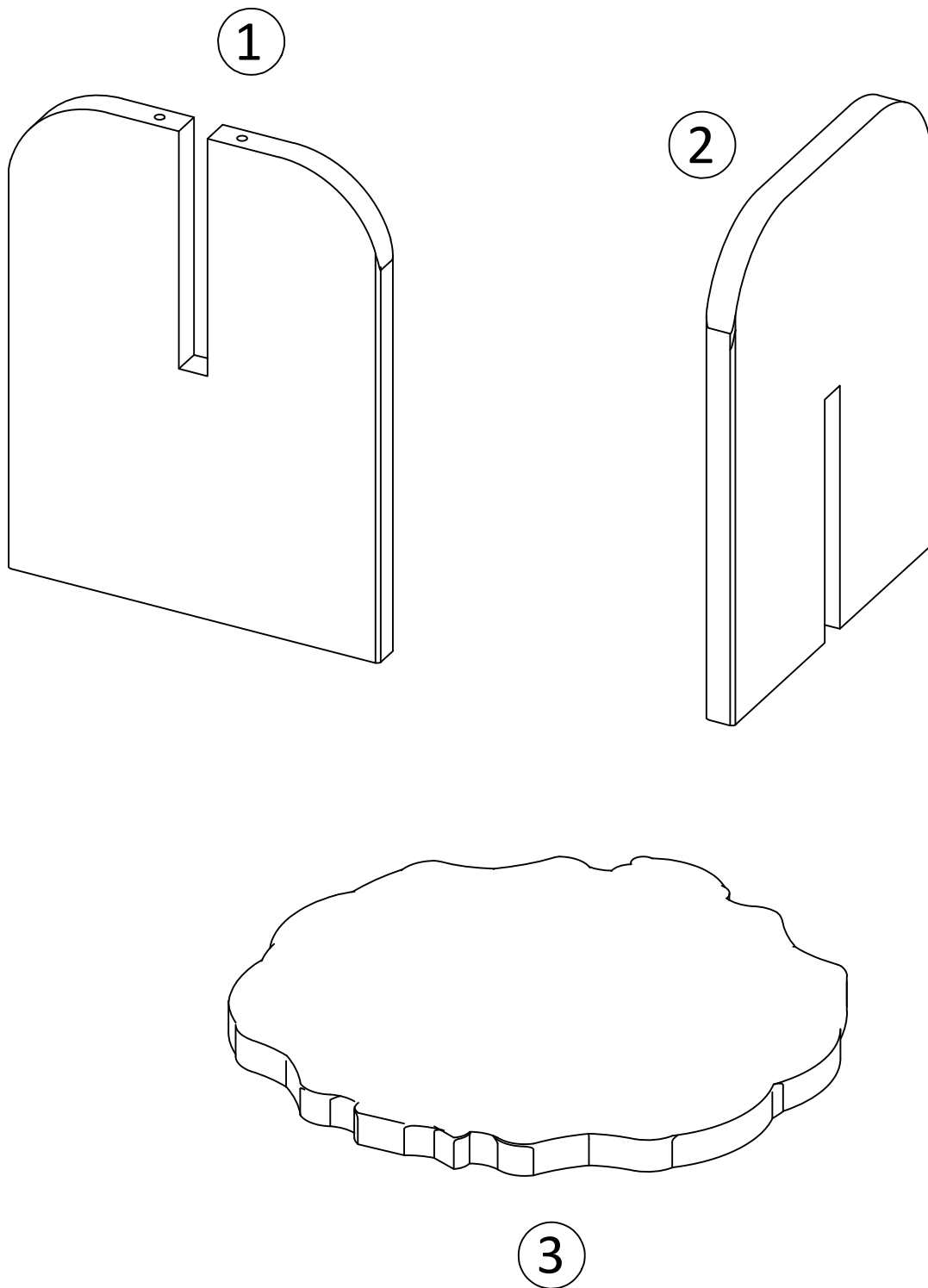






Jotex

1689509-01-0

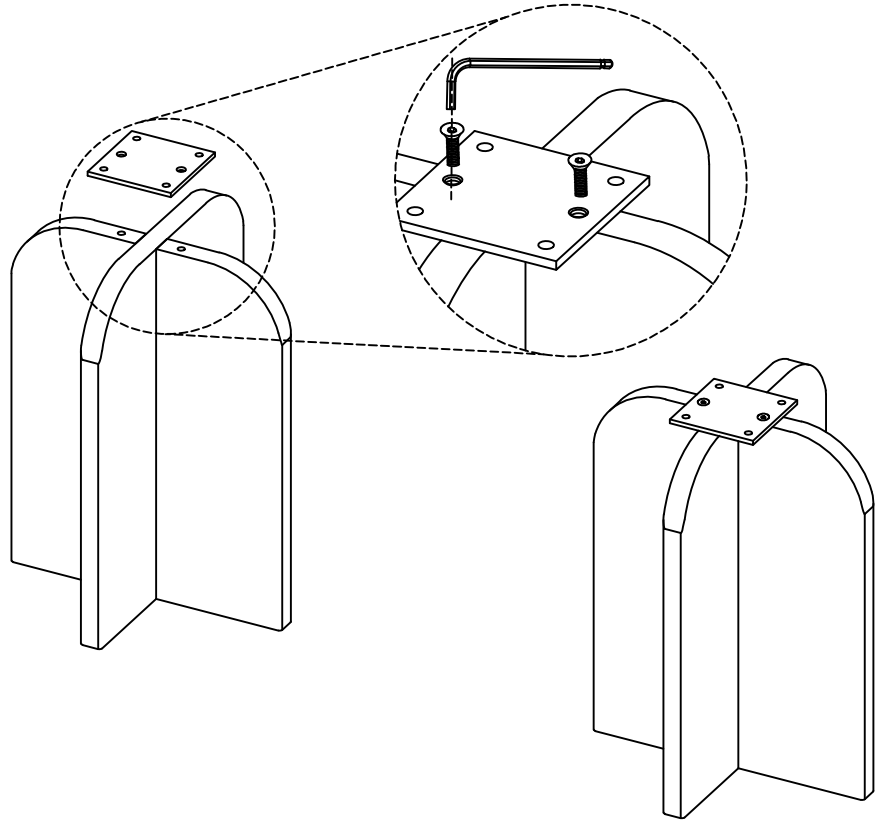
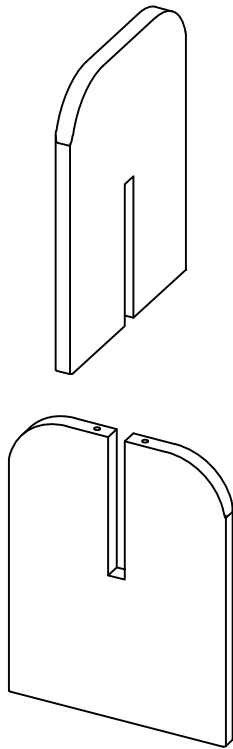






A	 M6*16	A X 2	B	 M6*16	B X 4
C	 M8*25	C X 4	D	 4MM*70	D X 1

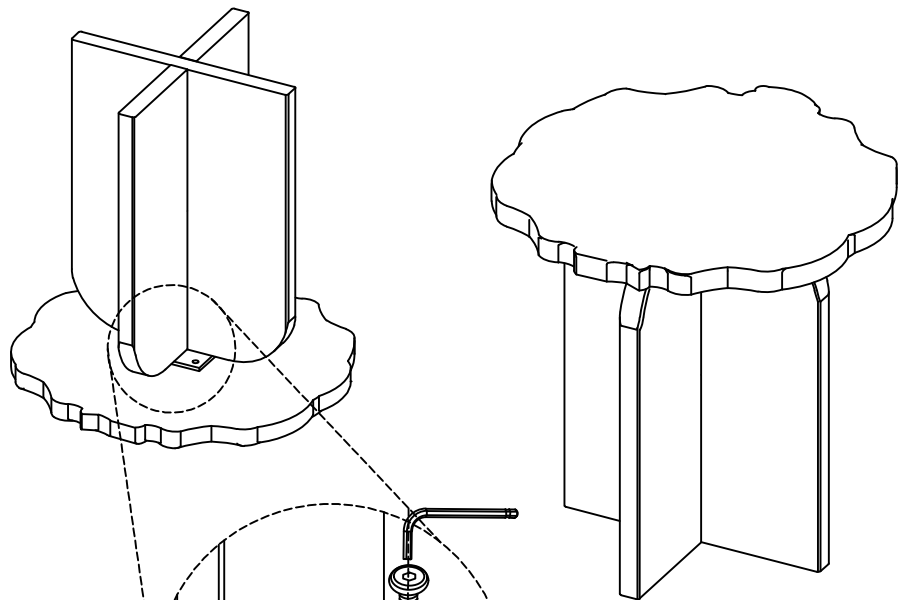
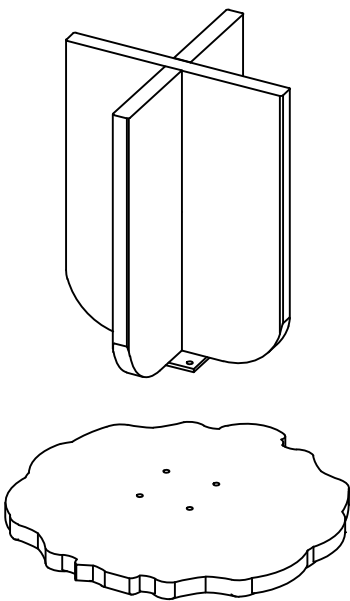
2-3




1



A X 2	
D X 1	

2



B X 4	
C X 4	
D X 1	

3-3